



**Technical Service
BULLETIN**

January 11, 2002

Title:

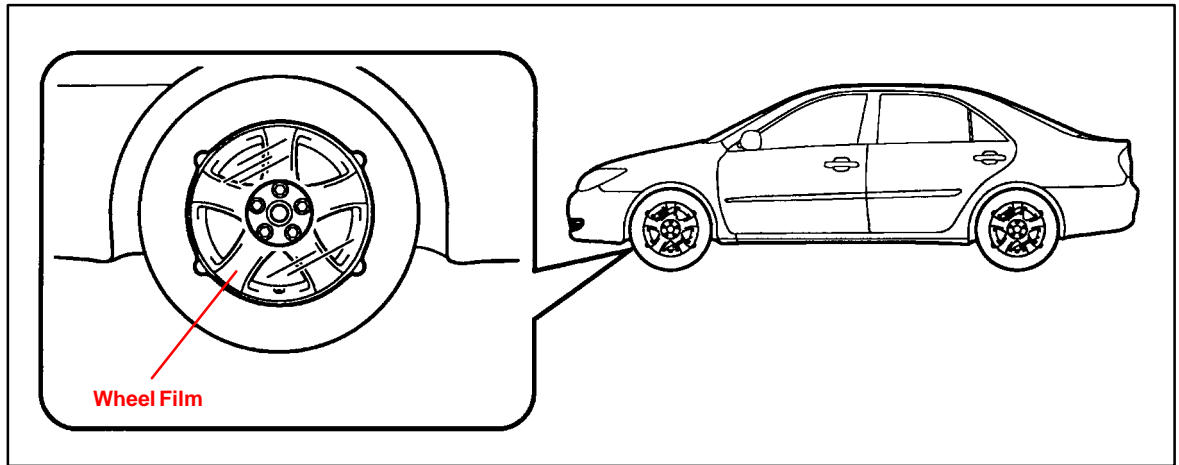
**WHEEL FILM FOR BRAKE ROTOR
RUST PREVENTION**

Models:

'02 Camry, Avalon & Solara; '03 Corolla & Matrix

PRODUCT GENERAL INFORMATION
PG007-02

Introduction To prevent brake rotor rust during transportation and storage, two types of wheel films have been adopted instead of using the cardboard type anti-rust cover. For best rotor rust prevention, retain wheel film on vehicle until just prior to customer delivery.



**Applicable
Vehicles**

- 2002 model year **Camry, Avalon and Solara** vehicles.
- 2003 model year **Corolla and Matrix** vehicles.

**Introduction
Schedule**

MODEL*	INTRODUCTION DATE
NAP Camry (Front and Rear)	February 2002
CBU Camry (Front and Rear)	
Avalon (Front and Rear)	
Solara (Front)	
NAP Corolla (Front)	January 2002
Matrix (Front)	

* Wheel film will be introduced on other models in the future. TSB notification will be issued.

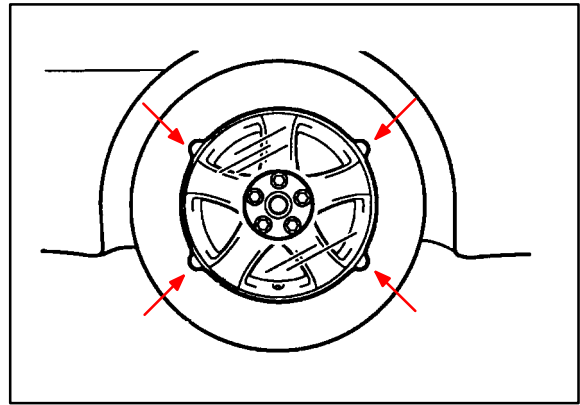
**Warranty
Information**

OP CODE	DESCRIPTION	TIME	OPN	T1	T2
N/A	Not Applicable to Warranty	-	-	-	-



Removal Procedure To remove, pull on the tab of the wheel film.

HINT:
 When the wheel film is removed below a temperature of 0°C (32°F), the film may tear. Use a heat gun to ease removal.



Disposal Procedure Please follow local laws for disposal. Polyvinyl chloride (PVC) film may generate harmful gases when burned.

Supplier Information

SUPPLIER	MATERIAL	THICKNESS	COLOR
A	Polyvinyl Chloride	75 micron including adhesive	Pink, yellow, blue, green and gray
B	Polyethylene	75 micron including adhesive	Transparent