

Sunvisor - Removal & Installation Procedures

Service Category Vehicle Interior

Section Interior Panels/Trim

Market USA

Toyota Supports
 ASE Certification 

Applicability

YEAR(S)	MODEL(S)	ADDITIONAL INFORMATION
2007 – 2009	Camry, Camry HV	VDS(s): BB46K, BE46K, BK46K
2009	Corolla	VDS(s): BE40E, BL40E, BU40E
2009	Matrix	VDS(s): GE40E, KE40E, KU40E, LE40E
2006 – 2009	RAV4	VDS(s): BD31V, BD32V, BD33V, BD34V, BD35V, BE31V, BE32V, BE33V, BF31V, BF32V, BF33V, BF34V, BF35V, BK31V, BK32V, BK33V, BK34V, BK35V, ZD31V, ZD32V, ZD33V, ZD34V, ZD35V, ZE31V, ZE32V, ZF31V, ZF32V, ZF33V, ZF34V, ZF35V, ZK31V, ZK32V, ZK33V, ZK34V, ZK35V
2007 – 2009	Yaris	VDS(s): BT903, BT923, JT903, JT923, KT903

Introduction

A revised procedure has been developed to ensure proper removal and installation of the sunvisor. Please use the following procedure for removal and installation of the sunvisor.

Warranty Information

OP CODE	DESCRIPTION	TIME	OFP	T1	T2
N/A	Not Applicable to Warranty	–	–	–	–

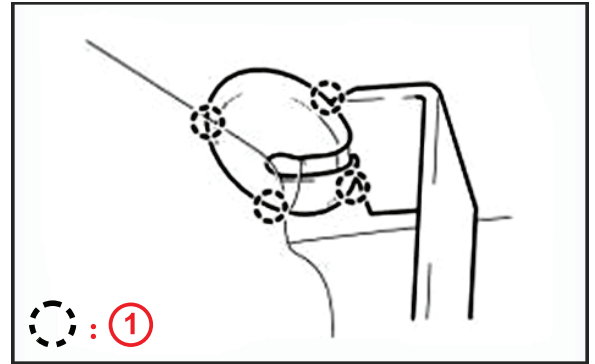
Sunvisor - Removal & Installation Procedures

Repair Procedure

Removal:

1. Disengage the 4 claws from the sunvisor plastic bracket cover.

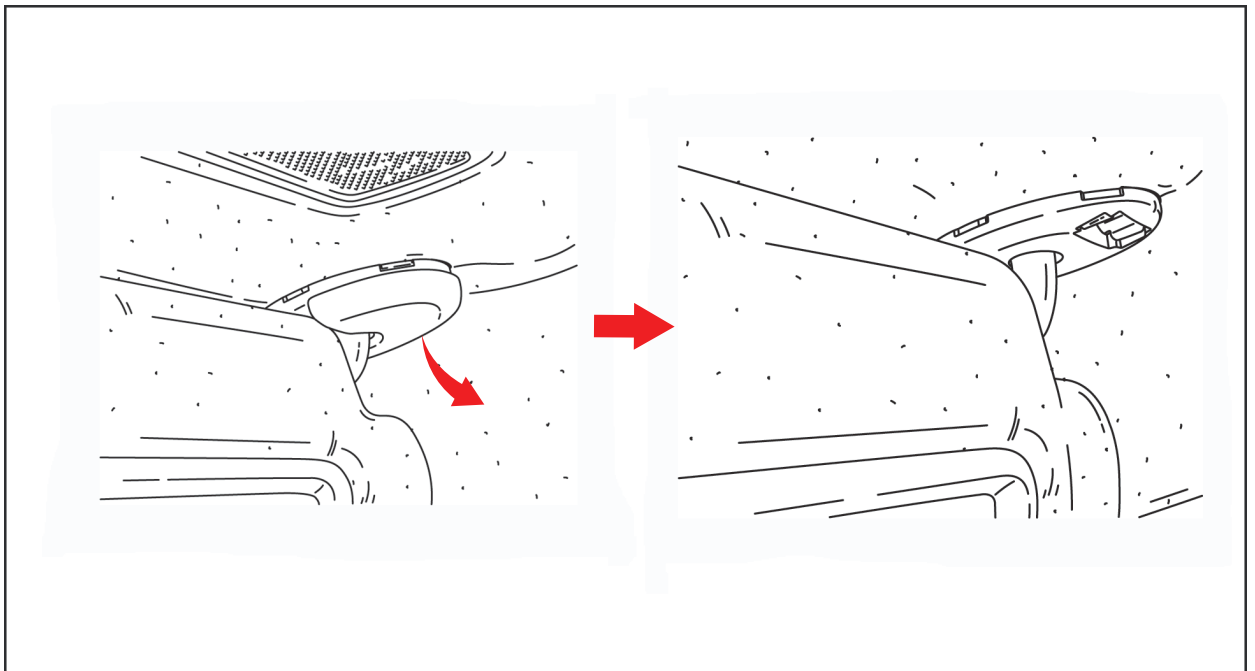
Figure 1.



1	Claw
---	------

2. Remove the plastic bracket cover and set aside for later installation.

Figure 2.



Sunvisor - Removal & Installation Procedures

Repair Procedure

Removal: (Continued)

- Carefully pull straight down on the Sunvisor sub-assembly and remove it from the opening in the metal roof panel.

NOTE

If the attaching clips remain in the metal roof panel, pinch the clip tabs together and rotate away from the connector as shown in Figure 3 (if equipped with a vanity light), then remove the clips and reinstall the clips back into the sunvisor bracket from the direction shown in Figure 4.

Figure 3.

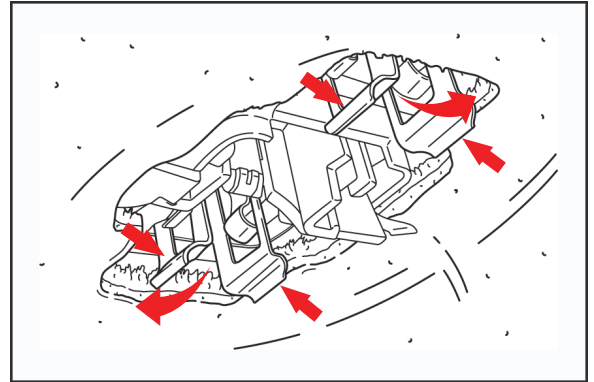
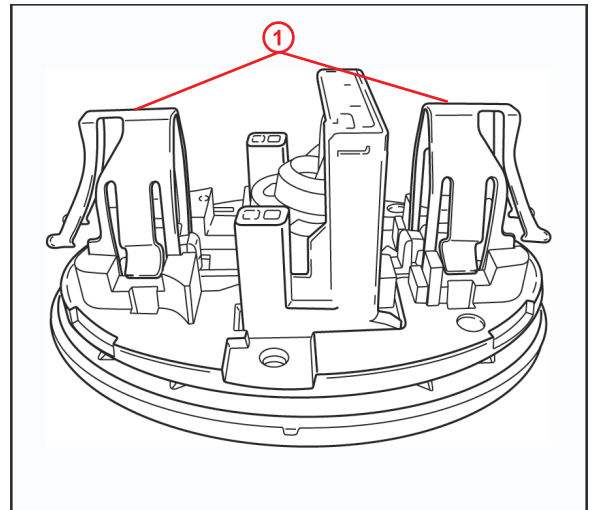


Figure 4.



1 Insert clips from this direction

Sunvisor - Removal & Installation Procedures

Repair Procedure (Continued)

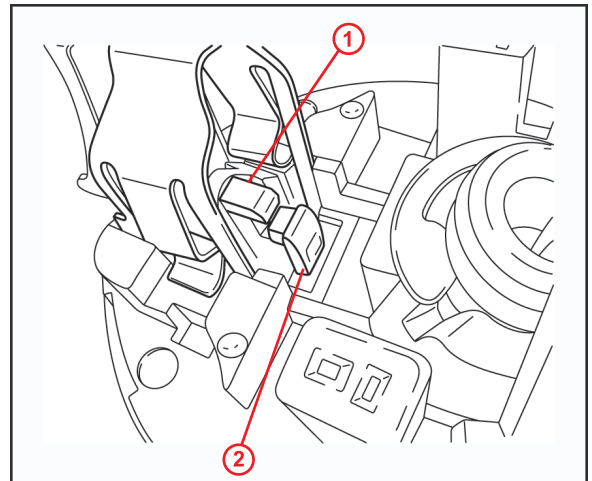
Installation Procedure:

1. Partially install the bracket cover into the sunvisor bracket making sure both temporary set claws are engaged as shown in Figure 5.

NOTE

Make sure to **ONLY** partially install the bracket cover into the bracket during installation, because damage to the clip, sunvisor mount or roof sheet metal tabs may occur if the bracket cover is fully in the sunvisor bracket.

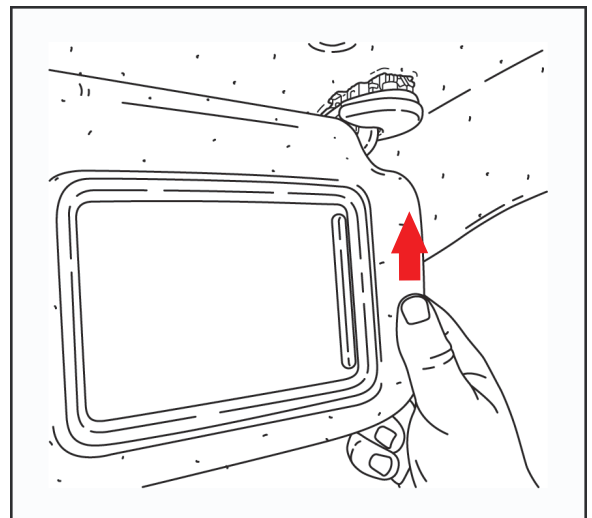
Figure 5.



1	Bracket cover
2	Temporary set claw

2. Install the sunvisor assembly into the opening in the sheet metal roof panel by grasping the sunvisor assembly with two hands and pushing the bracket upward as shown in Figure 6.

Figure 6.



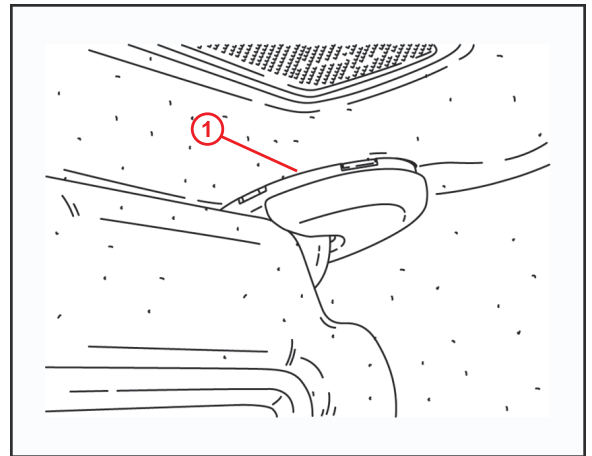
Sunvisor - Removal & Installation Procedures

Repair Procedure

Installation Procedure: (Continued)

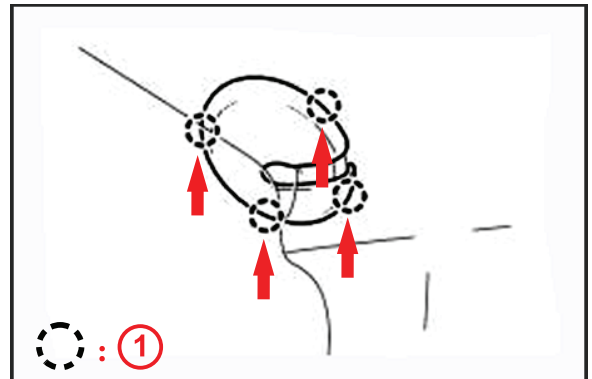
3. Make sure the sunvisor bracket is flush with the headliner all away around the perimeter of the bracket as shown in Figure 7 and then push the bracket cover upward to engage all 4 claws at the same time as shown in Figure 8.

Figure 7.



1	No space
----------	-----------------

Figure 8.



1	Claw
----------	-------------

4. Confirm the proper operation of the sunvisor and the operation of the vanity light.