



Technical Service BULLETIN

February 1, 2002

Title:
SQUEAK AND RATTLE SERVICE TIPS
Models:
'01 Highlander



NV
NV003-02

Introduction To reduce interior squeaks and rattles on 2001 model year Highlander vehicles, the following production countermeasures have been adopted. For vehicles produced prior to countermeasures, perform the following field fix procedures.

- Applicable Vehicles**
- **2001** model year **Highlander** vehicles built before the VINs listed below.

Production Change Information

Glove Box Door

MODEL	STARTING VIN
ACU20 (2WD)	JTEGD21A920026598
ACU25 (4WD)	JTEHD21A520012475
MCU20 (2WD)	JTEGF21A420036322
MCU25 (4WD)	JTEHF21A520053537

Rear Door Striker

MODEL	STARTING VIN
ACU20 (2WD)	JTEGD21A310003591
ACU25 (4WD)	JTEHD21A110002413
MCU20 (2WD)	JTEGF21A010004742
MCU25 (4WD)	JTEHF21A410007650

Warranty Information

OP CODE	DESCRIPTION	TIME	OPN	T1	T2
NV1009	Add Felt to Glove Box Door	0.2	55501-48070-#0	91	57
NV1010	Adjust Rear Door Striker	0.2	69430-48010		

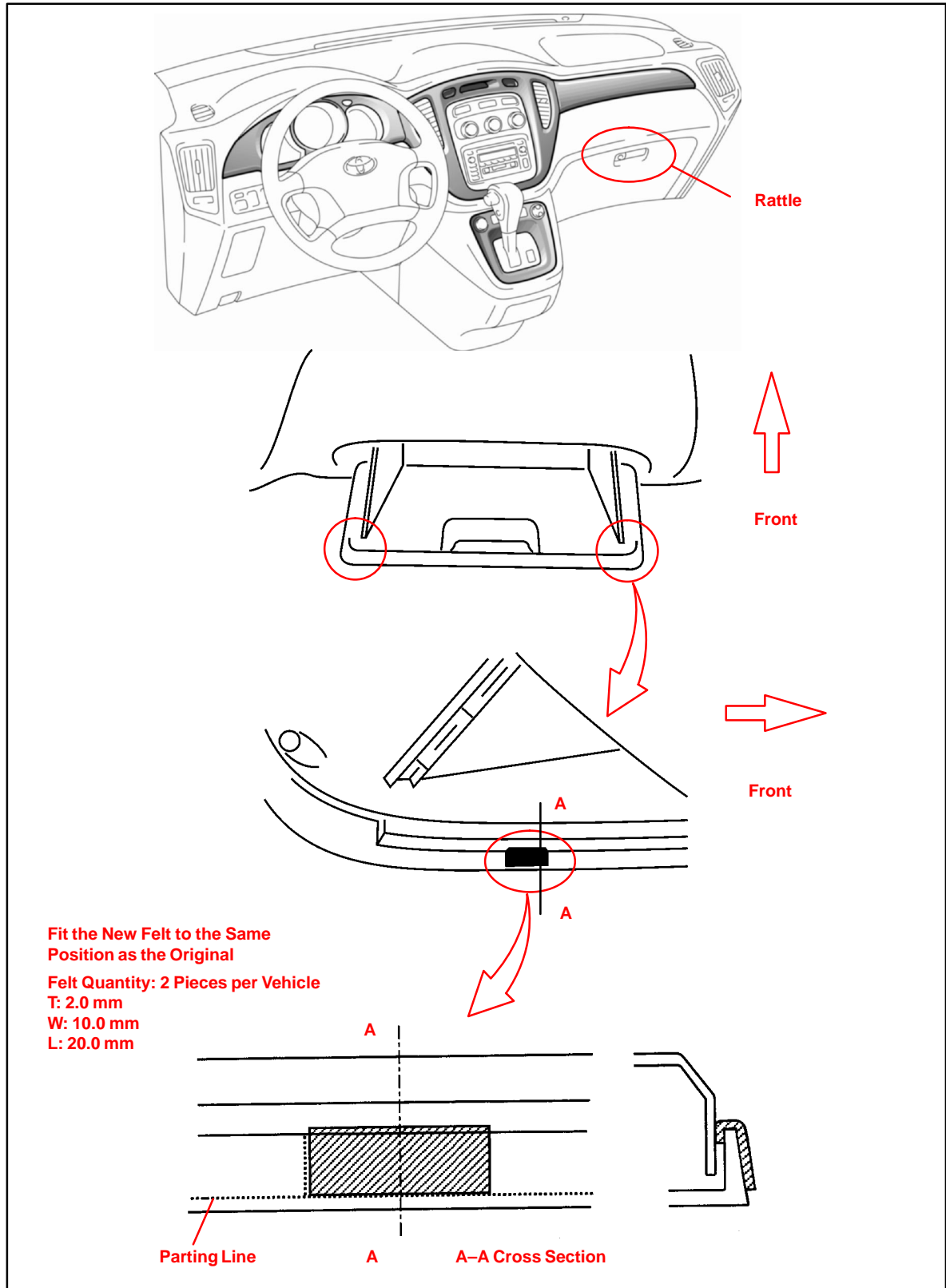
Applicable Warranty*:

This repair is covered under the Toyota Comprehensive Warranty. This warranty is in effect for 36 months or 36,000 miles, whichever occurs first, from the vehicle's in-service date.

* Warranty application is limited to correction of a problem based upon a customer's specific complaint.

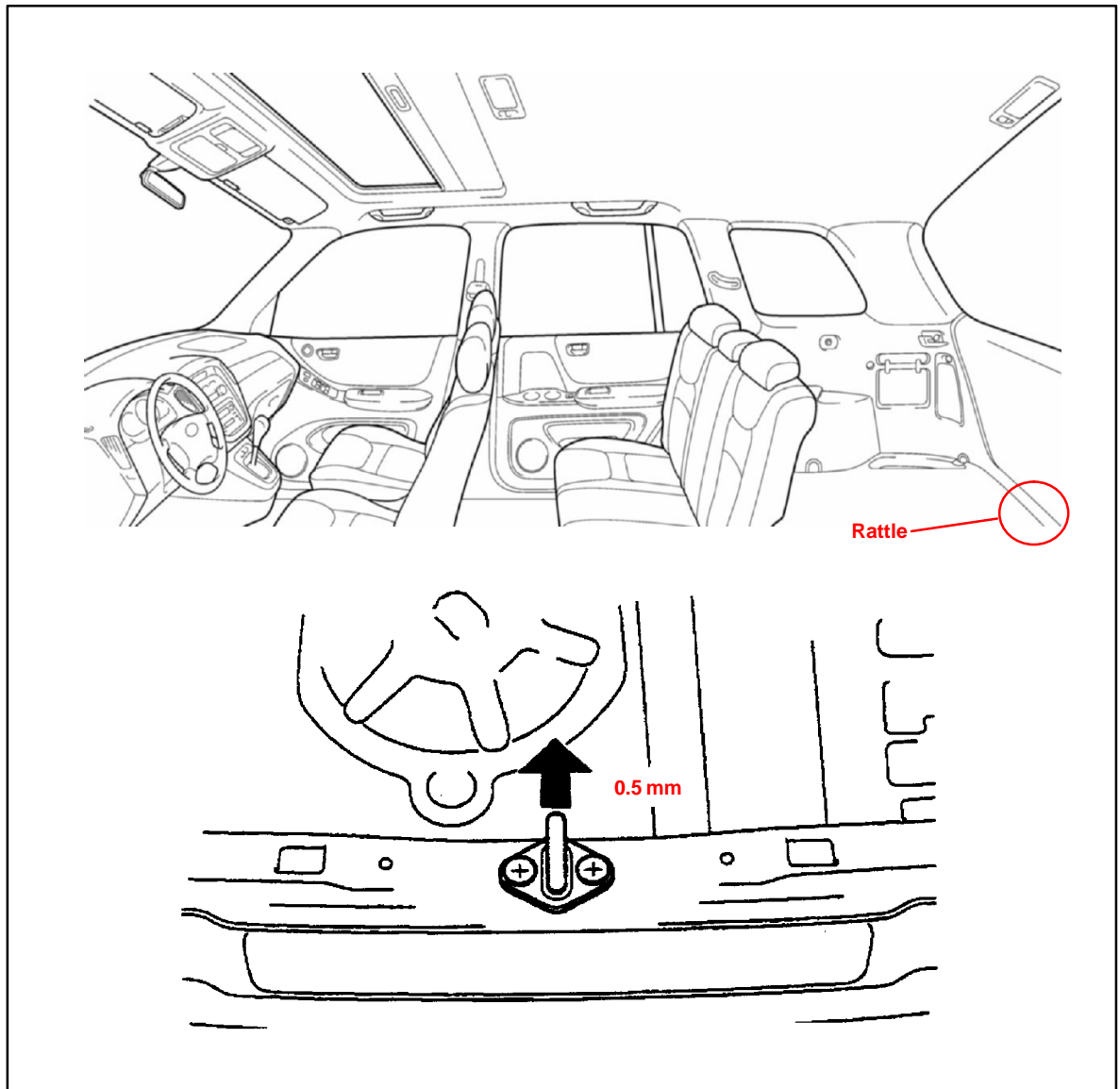


Repair Procedure 1 Replace two pieces of felt fitted to the right and left sides of glove box door with new ones with a thickness of 2.0 mm.



**Repair
Procedure 2**

Adjust the back door striker position forward 0.5 mm, as shown below.

**NOTE:**

Be sure to confirm that the back door can be closed after adjusting the back door striker. The back door will not close if the striker is moved more than 1 mm.