



**Technical Service
BULLETIN**

March 3, 2000

Title:

SQUEAK & RATTLE SERVICE TIPS

Models:

'00 ECHO



NV004-00

NVH

Introduction To reduce interior squeaks and rattles on 2000 model year ECHO vehicles, material has been added between parts at several locations. The following repair procedures have been adopted.

- Applicable Vehicles**
- **2000** model year **ECHO**.

**Production
Change
Information**

CONCERN	STARTING VIN (2 DOOR)	STARTING VIN (4 DOOR)
Front Door Trim Rattle Noise	JTDAT1233Y5002428	JTDBT1231Y0007564
Luggage Compartment Door Lock Squeak	Field Fix Only	Field Fix Only
Antenna Cord Rattle Noise	JTDAT1233Y5002090	JTDBT1231Y0006723
Glove Compartment Rattle Noise	JTDAT1234Y5000803	JTDBT1235Y0003954
Air Refiner Filter Case Rattle Noise	Field Fix Only	Field Fix Only
Front Door Lock Control Knob Vibration Noise	JTDAT1237Y5002576	JTDBT123XY0007935
Center Pillar Upper Garnish Rattle Noise (RH and/or LH)	N/A	JTDBT1236Y0015434
Front Seat Inner Belt Rubbing Noise	Field Fix Only	Field Fix Only

**Parts
Information**

TOOLS & MATERIALS	PART NUMBER
Interior Noise Kit	08231-00801

**Warranty
Information**

OP CODE	DESCRIPTION	TIME	OPN	T1	T2
NV9002	Add felt to door panel	0.2	676X0-52XXX-XX	91	44
NV9003	Add grease to luggage compartment door lock	0.1	64610-520X0	91	44
NV9004	Add urethane sponge to antenna cord	1.0	86300-52030	91	44
NV9005	Bend glove compartment door lock striker	0.1	55308-52010	91	44
NV9006	Add urethane sponge to air refiner filter	0.1	88548-52010	91	44
NV9007	Tighten door lock control knob	0.2	69741-87003-XX	91	44
NV9008	Add felt to center pillar upper garnish	0.3	6241X-52010-XX	91	44
NV9009	Add felt to front seat inner belt	0.1	73230-520X0-XX	91	44

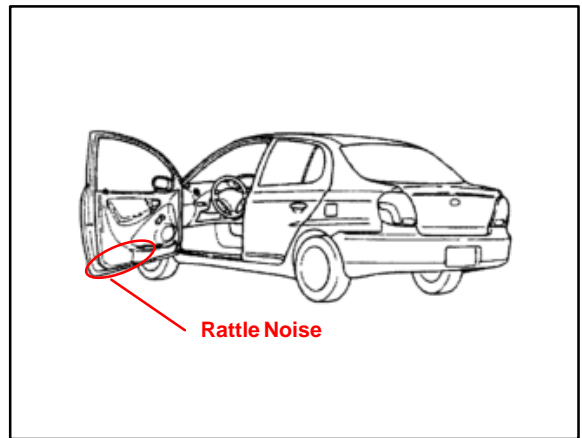
Applicable Warranty*:

This repair is covered under the Toyota Basic Warranty. This warranty is in effect for 36 months or 36,000 miles, whichever occurs first, from the vehicle's in-service date.

* Warranty application is limited to correction of a problem based upon a customer's specific complaint.

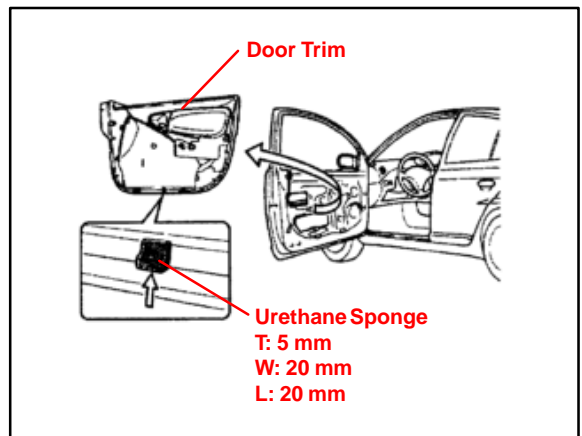


Repair Procedure Front Door Trim Rattle Noise

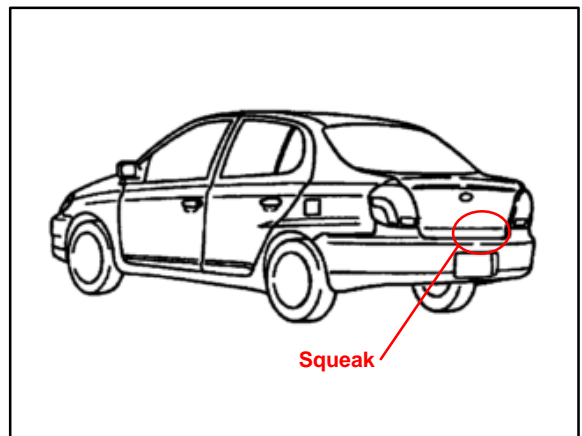


To eliminate a rattle noise from the lower door trim area:

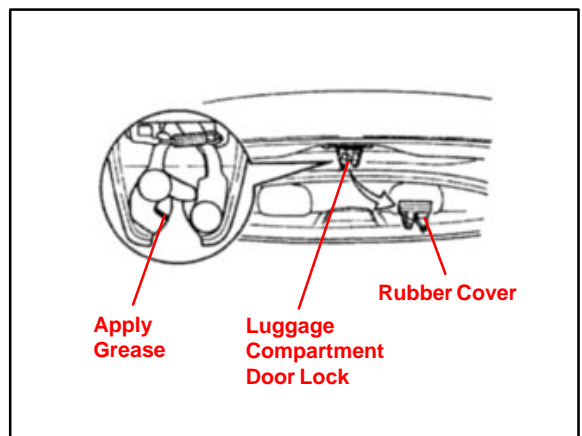
1. Remove the door panel. (Refer to the 2000 model year ECHO Repair Manual page BO–8.)
2. Add a urethane sponge, 5 mm x 20 mm x 20 mm, as shown.



Luggage Compartment Door Lock Squeak

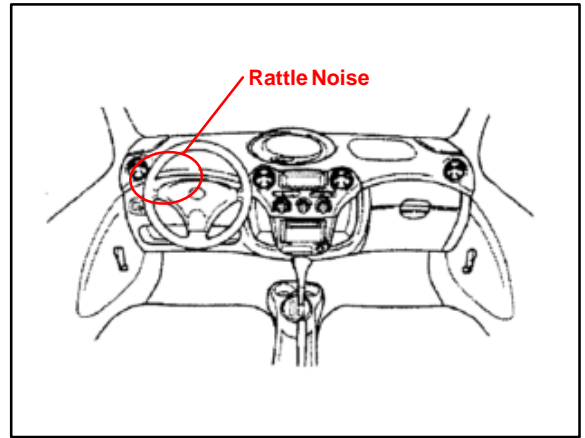


To eliminate a squeak noise from the luggage compartment lock, apply grease to the luggage compartment door lock as shown.



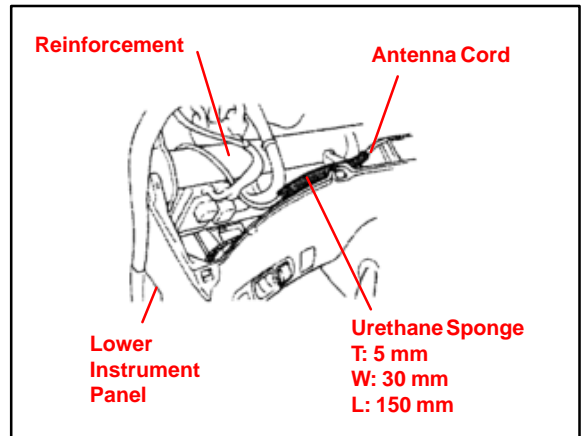
Repair Procedure
(Continued)

Antenna Cord Rattle Noise

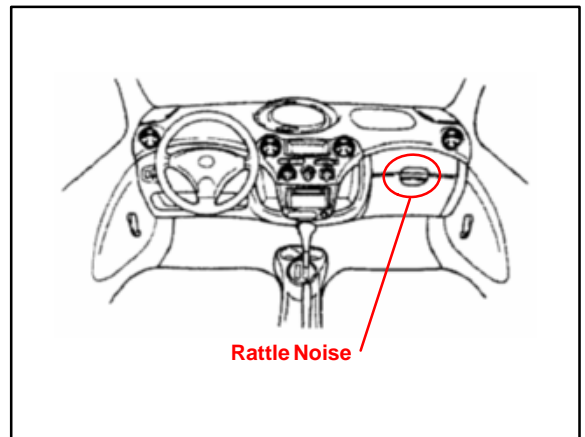


To eliminate a rattle noise from the antenna cord:

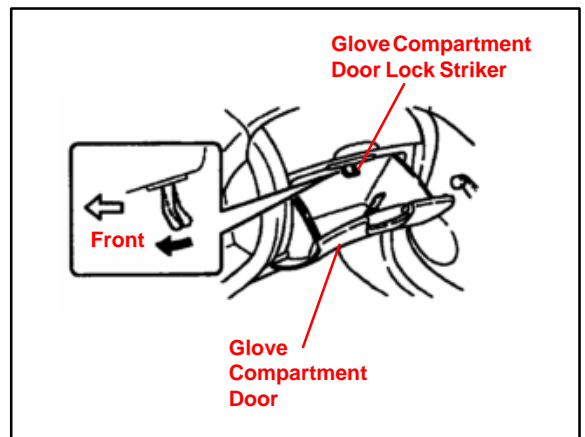
1. Remove the upper instrument panel. (Refer to the 2000 model year ECHO Repair Manual pages BO–76 through BO–80.)
2. To eliminate the rattle noise from the antenna cord under the instrument panel, wrap a urethane sponge piece, 5 mm x 30 mm x 150 mm, as shown.



Glove Compartment Rattle Noise

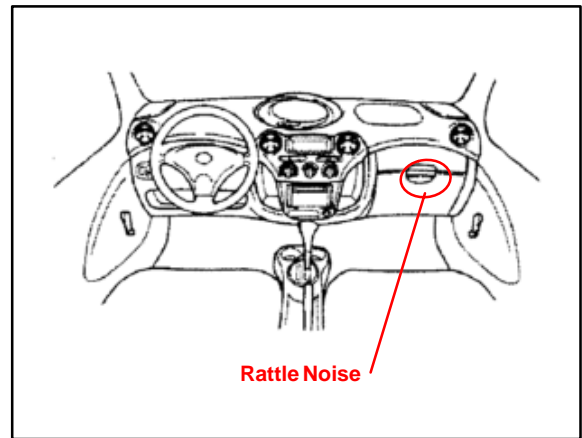


To eliminate a rattle noise from the glove compartment area, bend the glove compartment door lock striker approximately 3 mm as shown.



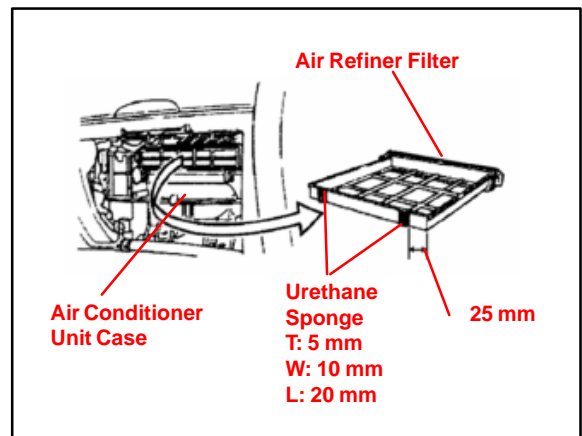
**Repair
Procedure**
(Continued)

Air Refiner Filter Case Rattle Noise
(Only for vehicles with air refiner filter option.)

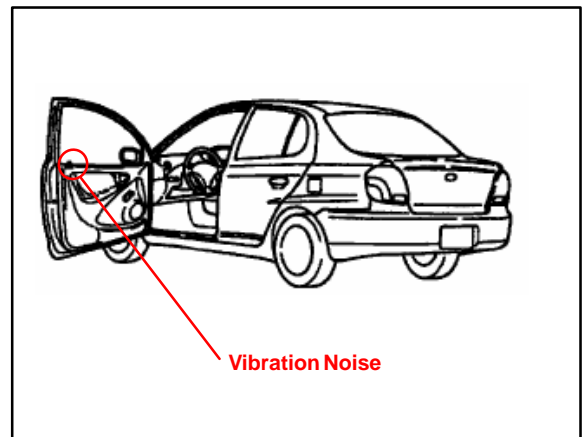


To eliminate a rattle noise from the glove compartment area:

1. Remove the air refiner filter. (Refer to the 2000 model year ECHO Repair Manual page AC–91.)
2. Add two urethane sponge pieces, 5 mm x 10 mm x 20 mm, as shown.

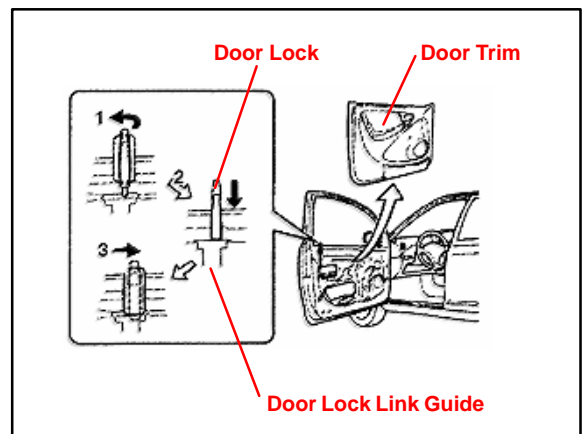


**Front Door Lock Control Knob
Vibration Noise**



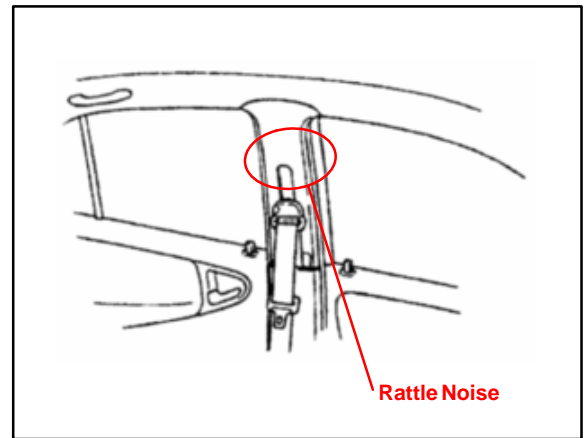
To eliminate a vibration noise from the front door lock control knob:

1. Remove the door trim. (Refer to the 2000 model year ECHO Repair Manual page BO–8.)
2. Loosen the door lock control knob by 90 degrees, check if there is clearance between the door lock control knob and door lock link guide.
3. Tighten the knob to eliminate any clearance.



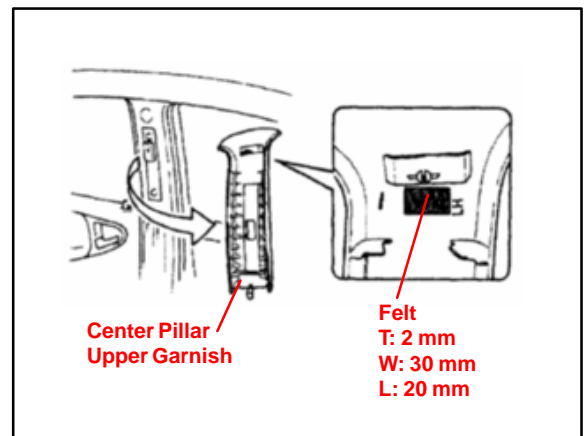
**Repair
Procedure**
(Continued)

**Center Pillar Upper Garnish Rattle
Noise (RH and/or LH)**

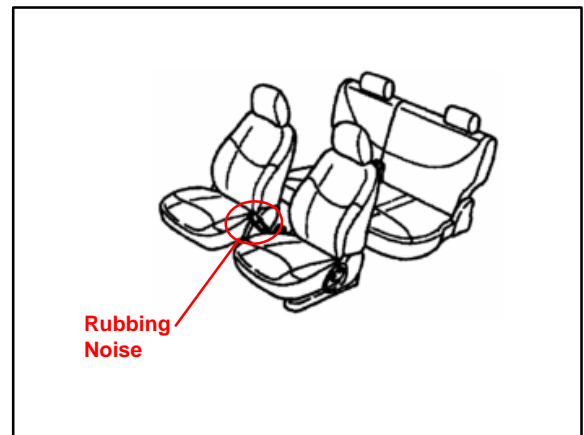


To eliminate a rattle noise from the center pillar upper garnish:

1. Remove the center pillar upper garnish.
2. Add a felt piece, 2 mm x 30 mm x 20 mm, as shown.



Front Seat Inner Belt Rubbing Noise



To eliminate a rubbing noise from the front seat inner belt area, add a felt piece, 0.5 mm x 20 mm x 50 mm, as shown.

