



**Technical Service
BULLETIN**

October 2, 2003

Title:
**SHAPE CHANGE OF HOOD
LOCK ASSEMBLY**

Models:
'03 ECHO



BODY
B0018-03

Introduction In cold areas, snow may sometimes enter the Hood Lock Assembly, causing the Hood Lock Control Cable Assembly to rust. To prevent snow entry into the Hood Lock Assembly, a protector has been added to vehicles sold as cold specification in the U.S.A. and all vehicles sold in Canada.

This TSB provides a field fix repair to improve this condition. Follow the repair procedures described below.

- Applicable Vehicles**
- **2003** model year **ECHO** vehicles produced **BEFORE** the Production Change Effective VIN shown below.

**Production
Change
Information**

MODEL	PRODUCTION CHANGE EFFECTIVE VIN
ECHO	JTDBT123430308273

**Parts
Information**

PREVIOUS PART NUMBER	CURRENT PART NUMBER	PART NAME	QTY
53510-52130	53510-52180	Lock Assembly, Hood	1
53630-52090	Same	Cable Assembly, Hood Lock Control	1

**Warranty
Information**

OP CODE	DESCRIPTION	TIME	OFF	T1	T2
530111	R & R Hood Lock Assembly	0.3	53510-52130	52	02
530121	R & R Hood Lock Control Cable Assembly	0.6	53630-52090		17

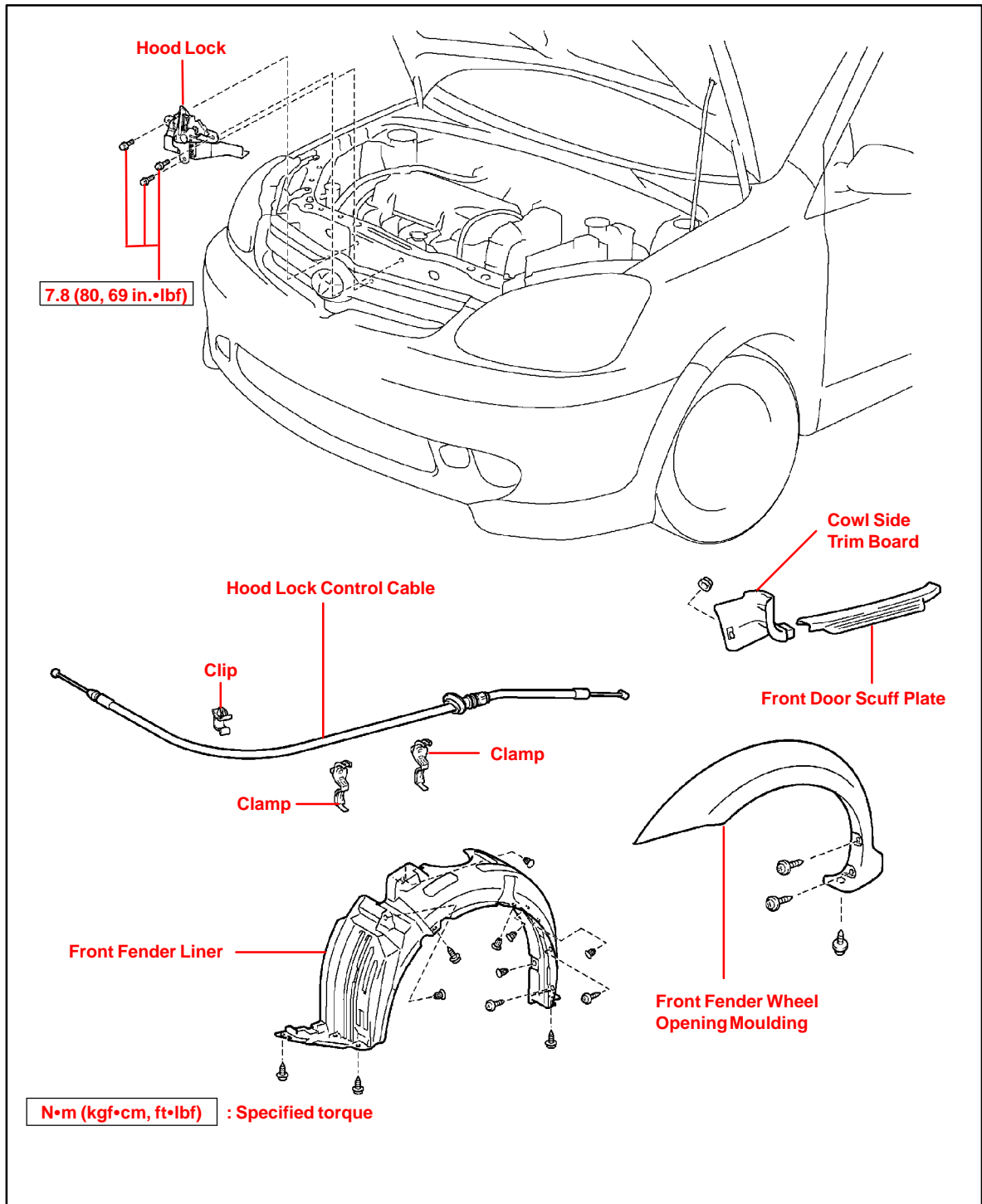
Applicable Warranty*:

This repair is covered under the Toyota Comprehensive Warranty. This warranty is in effect for 36 months or 36,000 miles, whichever occurs first, from the vehicle's in-service date.

* Warranty application is limited to correction of a problem based upon a customer's specific complaint.



Hood Lock Control Components



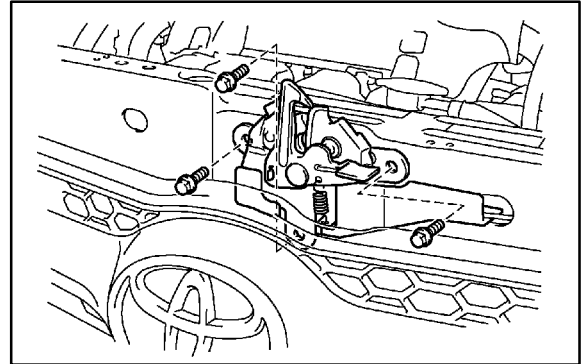
Replacement Procedure

HINT:

- Check the area connecting the hood lock and the cable. If they are fixed too firmly or there is rust where they connect, replace the hood lock and the cable by following the procedures below.
- If cable replacement is not required, refer to the procedures for hood lock installation and removal only.

1. Remove Hood Lock

- Remove the 3 bolts.
- Remove the hood lock.
- Disconnect the hood lock control cable from the hood lock.

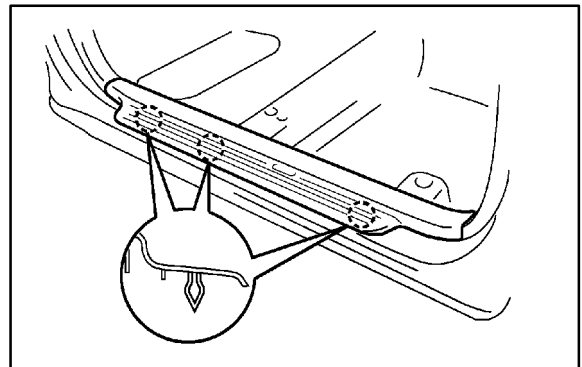


2. Remove Front Door Scuff Plate

Insert a screwdriver between the front door scuff plate and body to pry it out.

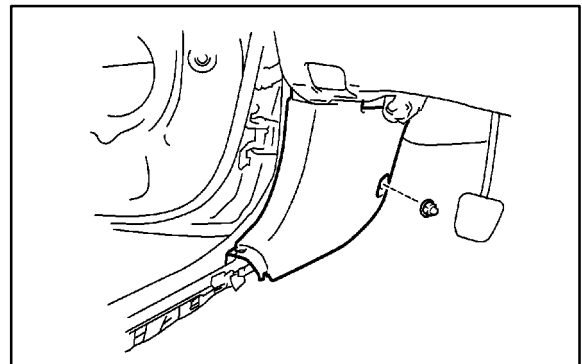
HINT:

Tape the screwdriver tip before use.



3. Remove Cowl Side Trim Board

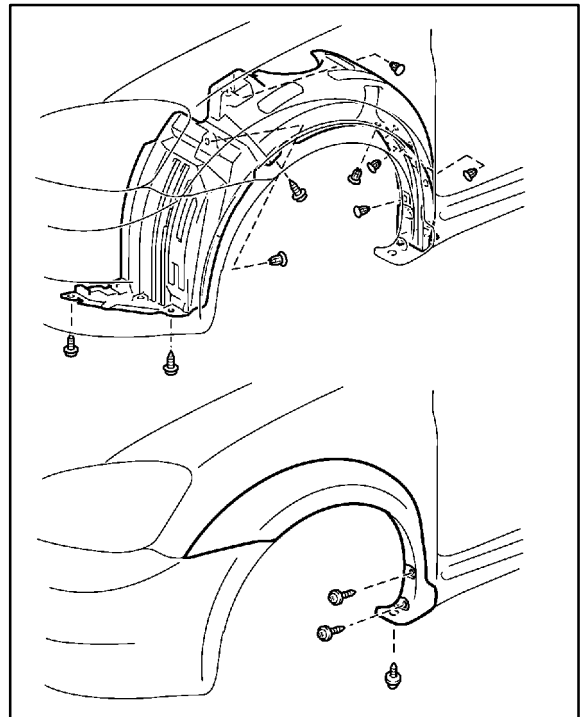
- Remove the clip.
- Insert a taped screwdriver between the cowl side trim board and body to pry it out.



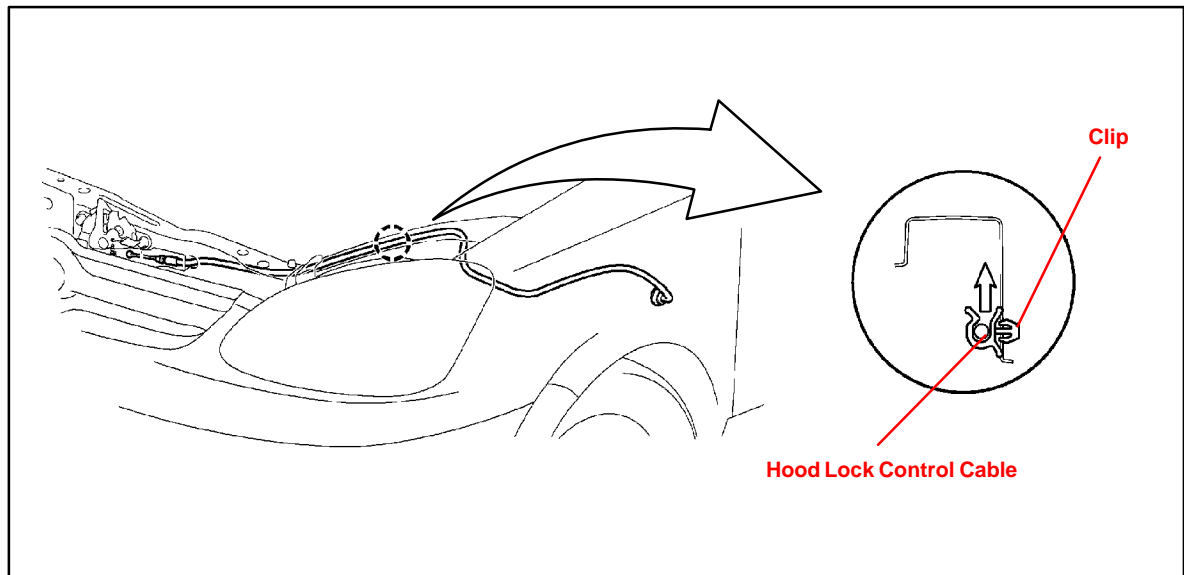
4. Disconnect Hood Lock Control Cable From Hood Lock Release Lever

Replacement Procedure
(Continued)**5. Pull Down Front Fender Liner**

- A. Remove the 3 screws and 6 clips.
- B. Remove the 3 screws from the front fender wheel opening moulding.
- C. Pull down the front fender liner until the 2 clamps and grommet of the hood lock control cable can be seen.

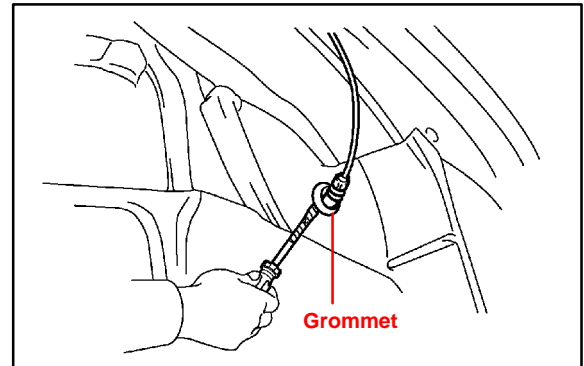
**6. Remove Hood Lock Control Cable**

- A. Disconnect the front end of the hood lock control cable from the clip.

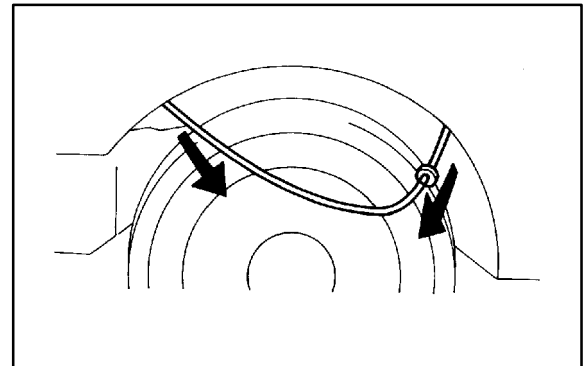


Replacement Procedure
(Continued)

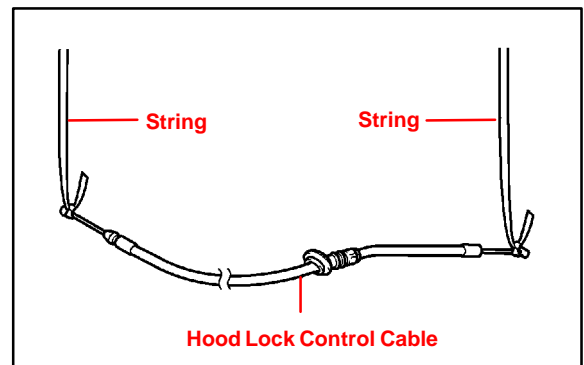
- B. Using a taped screwdriver, pry the grommet out of the hood lock control cable.
- C. Release the 2 clamps.



- D. Pull the hood lock control cable from the front wheel housing to remove it.

**HINT:**

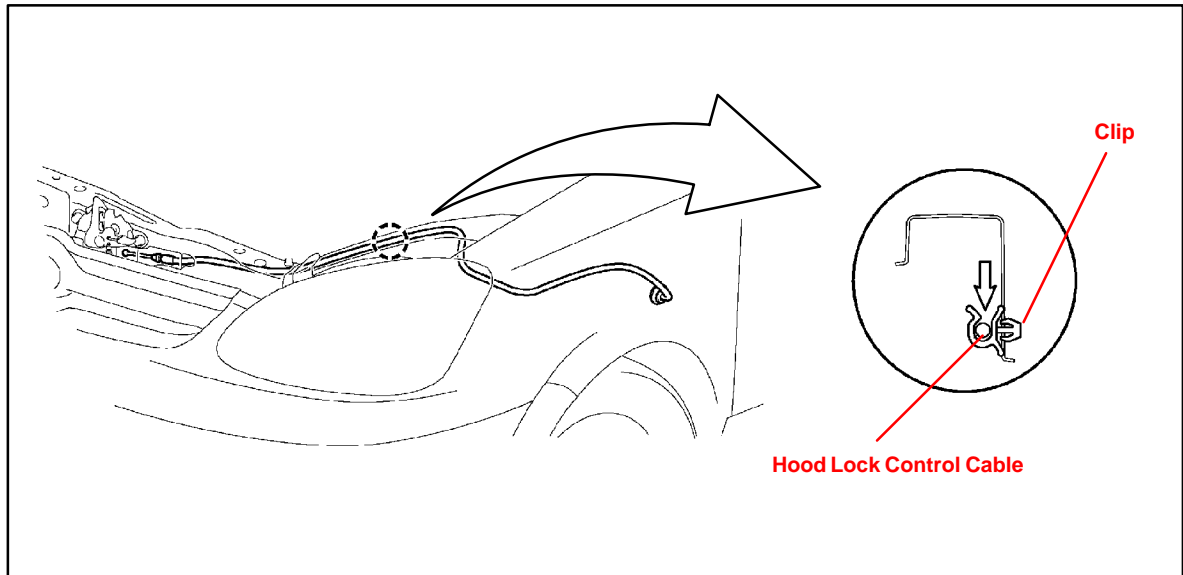
Before removing the hood lock control cable from the front wheel housing, tie the front and rear ends of the cable with strings so that the new hood lock control cable can be installed easily.



**Replacement
Procedure**
(Continued)

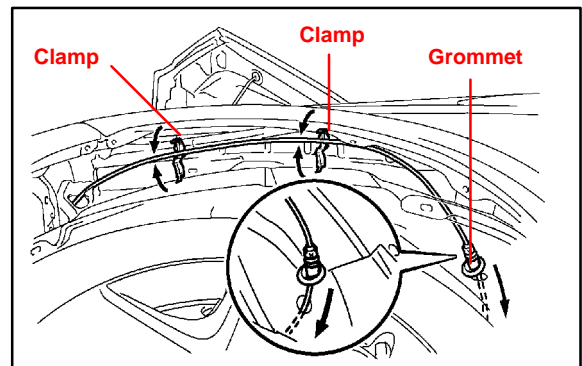
7. Install Front End of Hood Lock Control

- A. Pass the front end of a new hood lock control cable through the radiator support.
- B. Install the hood lock control cable into the clip.



8. Install Rear End of Hood Lock Control Cable

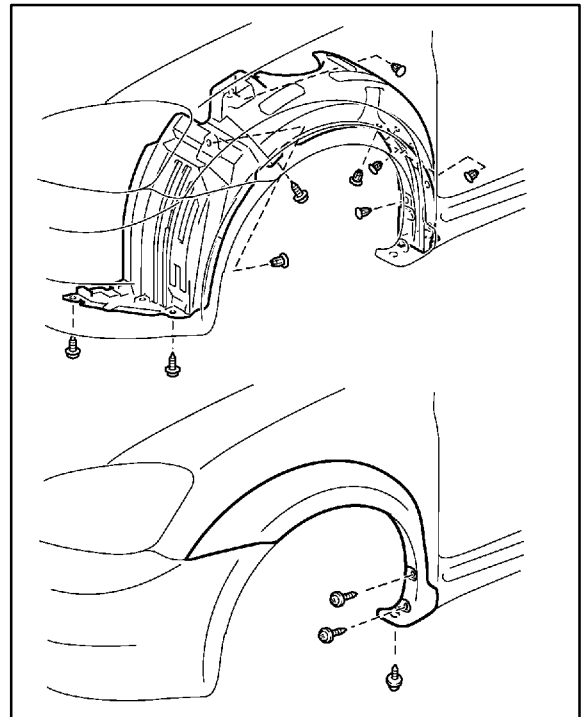
- A. Push the rear end of the new hood lock control cable through the service hole.
- B. Using a screwdriver, push the grommet of the hood lock control cable in the service hole.
- C. Install the hood lock control cable with the 2 clamps on the front wheel housing.
- D. Pass the cable behind the pillar brace and wire harness.
- E. Install the hood lock control cable into the hood lock control lever.



Replacement Procedure
(Continued)

9. Re-Install Front Fender Liner

- A. Install the 3 screws to the front fender wheel opening moulding.
- B. Install the 3 screws and 6 clips to install the front fender liner.



10. Before Installing Hood Lock, Coat Lock With MP Grease

Apply MP grease to the sliding surface of the hood lock.

11. Install Hood Lock

- A. Connect the hood lock control cable to the hood lock.
- B. Install the hood lock with the 3 bolts.

Torque: 7.8 N-m (80 kgf-cm, 69 in.-lbf)

12. Check Hood Lock Control for Proper Operation

After checking for proper operation, tighten the 3 bolts again if necessary.

Torque: 7.8 N-m (80 kgf-cm, 69 in.-lbf)

13. Install Cowl Side Trim Board

HINT:

Position the cable inside the cowl side trim board, and then install the cowl side trim board.

14. Install Front Door Scuff Plate

