



Technical Service BULLETIN

September 12, 2007

Title:

RUST ON BACK DOOR GARNISH

Models:

'06 – '07 4Runner

BODY
B0010-07

Introduction Some 2006 – 2007 model year 4Runner vehicles may develop rust around the back door garnish. Follow the repair procedures described below to address this concern.

- Applicable Vehicles**
- **2006 – 2007** model year **4Runner** vehicles produced **BEFORE** the Production Change Effective VINs shown below.

Production Change Information

PLANT	OPTION	VDS	PRODUCTION CHANGE EFFECTIVE VIN
Tahara	w/o Back Monitor	ZU1#R	JTEZU1#R270096214
		BU1#R	JTEBU1#R170125414
	w/Back Monitor	ZU1#R	JTEZU1#R270096242
		BU1#R	JTEBU1#R670125117
Hino	w/o Back Monitor	ZU1#R	JTEZU1#RX78085897
		BU1#R	JTEBU1#RX78100593
		ZT1#R	JTEZT1#R578012029
		BT1#R	JTEBT1#R778041795
	w/Back Monitor	ZU1#R	JTEZU1#R578087259
		BU1#R	JTEBU1#R578102361
		ZT1#R	JTEZT1#R278012098
		BT1#R	JTEBT1#R278042168

Parts Information

MODEL	PREVIOUS PART NUMBER	CURRENT PART NUMBER	PART NAME	QTY
w/o Back Monitor	76801-35460	76801-35461	Garnish Sub Assembly, Back Door, Outside	1
w/Back Monitor	76801-35470	76801-35471	Garnish Sub Assembly, Back Door, Outside	1

Warranty Information

OP CODE	DESCRIPTION	TIME	OFF	T1	T2
BD7035	R & R Garnish Sub-assembly, Back Door	0.4	76801-354#0	67	17

Applicable Warranty*:

This repair is covered under the Toyota Comprehensive Warranty. This warranty is in effect for 36 months or 36,000 miles, whichever occurs first, from the vehicle's in-service date.

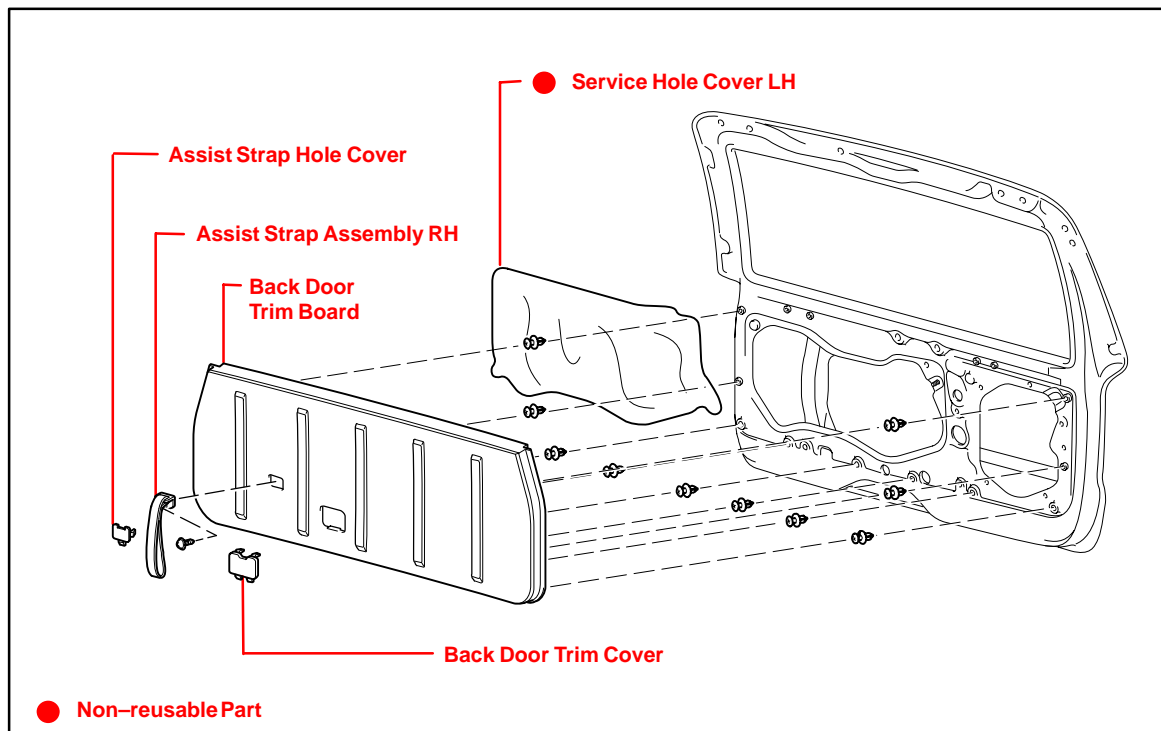
* Warranty application is limited to correction of a problem based upon a customer's specific complaint.



**Repair
Procedure**

For additional information on replacing the back door garnish, refer to the Technical Information System (TIS), 2006 or 2007 model year 4Runner Repair Manual, *Vehicle Exterior – Exterior Panels/Trim – “Exterior: Back Door Garnish: Removal”*.

1. Remove back door garnish sub-assembly.
 - A. Remove the assist strap hole cover.
 - B. Remove the assist strap assembly RH.
 - C. Remove the back door trim panel.
 - D. Remove the service hole cover LH.

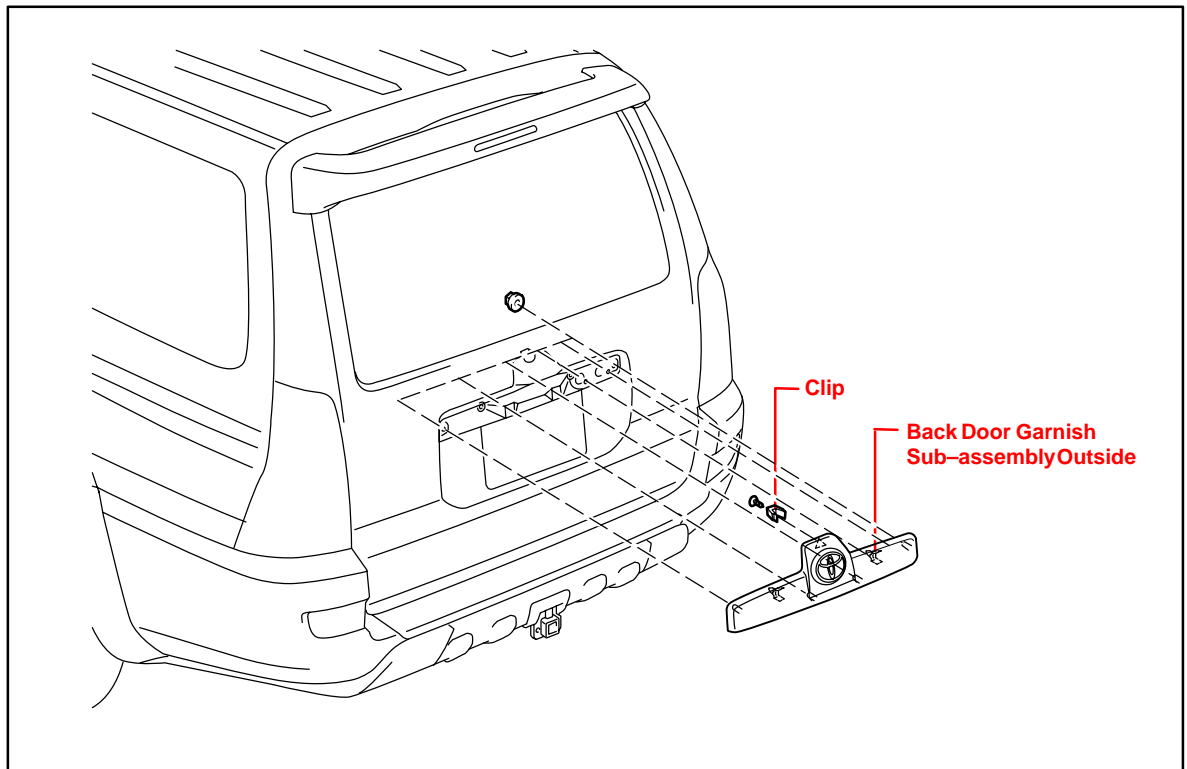


**Repair
Procedure**
(Continued)

2. Remove back door service hole cover LH.
 - A. Remove the 6 nuts.
 - B. Disengage the 2 clips by pulling the garnish, and remove the garnish.
3. Replace the back door outside garnish sub-assembly with:
 - **Without the back monitor:** P/N 76801-35461
 - **With the back monitor:** P/N 76801-35471

NOTE:

Due to the varying degree of stain that can develop, some vehicles may need to be repainted (or stain will need to be cleaned).



4. Install the service hole cover LH.
5. Install back door trim panel.
6. Install assist strap assembly RH.
7. Install assist strap hole cover.