



**Technical Service  
BULLETIN**

August 10, 2006

Title:

**ROOF RACK CROSS BAR  
INSTALLATION DURING PDS**

Models:

'07 4Runner

**P D080-06**  
**PRE-DELIVERY SERVICE**

**Introduction** To prevent paint damage during transportation, the roof rack cross bars are kept inside the vehicle so that the Rapgard™ protective film can remain in place on the roof panel. Install the roof rack cross bars to the roof rack rails according to the following procedure during Pre-Delivery Service (PDS).

**NOTE:**

To prevent damage to the front and rear roof rack leg covers, install the cross bar stoppers at each end of the right and left roof rack rails.

- Applicable Vehicles**
- 2007 model year 4Runner vehicles.

**Warranty Information**

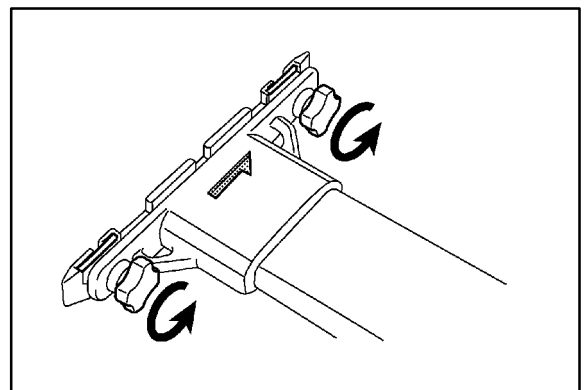
OP CODE	DESCRIPTION	TIME	OFF	T1	T2
N/A	Not Applicable to Warranty	–	–	–	–

**Installation Procedure**

1. Loosen the adjustment knobs on each cross bar joint.

**NOTE:**

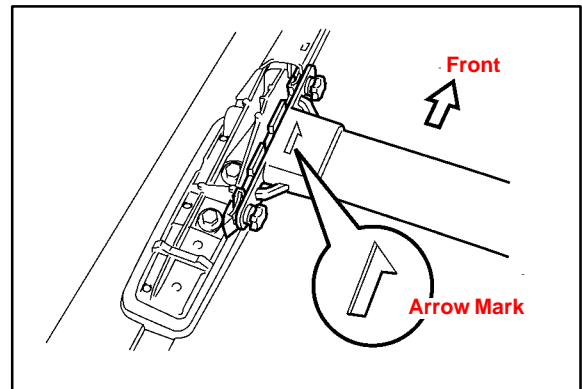
Do NOT remove adjustment knobs completely.



**Installation Procedure**  
(Continued)

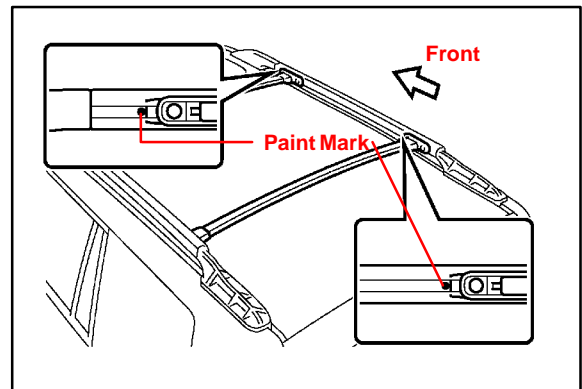
2. Slide the cross bar ends into the grooves of the right and left roof rack rails with the arrow on each cross bar facing forward.

**NOTE:**  
The cross bars will create wind noise at highway speeds if they are installed backwards.



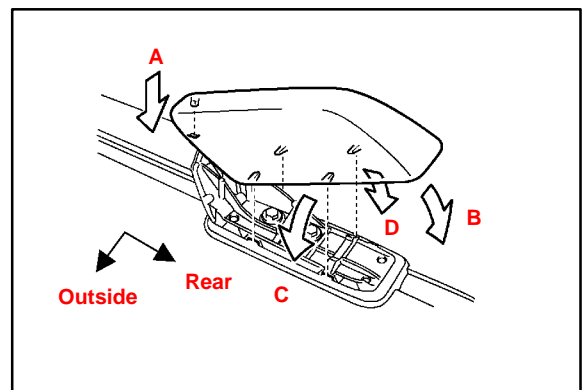
3. Align the ends of the front and rear cross bars with the paint marks on the roof rack as illustrated. Then securely tighten the knobs.

**NOTE:**  
Installation positions of cross bars shown above are most effective to reduce wind noise.



4. Install the right and left rear roof rack leg covers.
  - A. Insert the protrusion at the front of the cover into the roof rack rail.
  - B. Place the cover on the leg, aligning each rear end. At this time, do NOT press the cover down.
  - C. Engage the cover claws located towards the outside of the vehicle.
  - D. Engage the cover claws located towards the inside of the vehicle.

**NOTE:**  
If the inside and outside cover claws are pressed down at the same time, the cover claws may be damaged.



- E. Check that the cover is installed securely.

**Installation Procedure**  
(Continued)

5. Install the cross bar stopper at the front and rear ends of the right and left roof rack rail.

**NOTE:**

Cross bar stoppers are installed to prevent damage caused by interference between the cross bar and the front and rear roof rack leg covers.

