



**Technical Service
BULLETIN**

June 7, 2006

Title:

**REPAIR FOR REAR SEAT VIDEO
DISPLAY SCREEN LATCH MECHANISM**

Models:

'03 – '07 Land Cruiser w/RSE

AX007-06
ACCESSORIES

Introduction On some 2003 – 2007 model year Land Cruiser vehicles equipped with the Rear Seat Entertainment System (RSE), the video display screen may open from a closed position. Follow the procedure in this bulletin to modify the display screen latch mechanism and correct the condition.

- Applicable Vehicles**
- **2003 – 2007** model year **Land Cruiser** vehicles equipped with the **Rear Seat Entertainment System**.

Parts Information

PREVIOUS PART NUMBER	CURRENT PART NUMBER	PART NAME	QTY
N/A	PT296-60062-SK	Metal Shim Field Fix	1

Required Tools & Material

TOOLS & MATERIAL	QUANTITY
T20 Torx Driver	1

Warranty Information

OP CODE	DESCRIPTION	TIME	OFP	T1	T2
AX5007	Install Metal Shim into Rear Seat Entertainment System	0.3	PT296-6002D-##	62	40

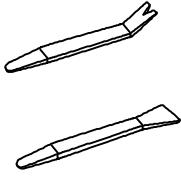
Applicable Warranty*:

This repair is covered under the Toyota Comprehensive Warranty. This warranty is in effect for 36 months or 36,000 miles, whichever occurs first, from the vehicle's in-service date.

* Warranty application is limited to correction of a problem based upon a customer's specific complaint.



Required SSTs

ITEM NO.	SPECIAL SERVICE TOOLS (SSTs)	PART NUMBER	QTY	DRW**
1	Plastic Pry Tool Set*	00002-06000	1	21
COMPONENT(S) OF KIT/SET	NOTE:			
	<ul style="list-style-type: none"> All components from this kit/set are required. Plastic Panel Clip Removal Tool (P/N 00002-06001-01) Plastic Emblem Removal Tool (P/N 00002-06002-01) 			

* Essential SSTs.

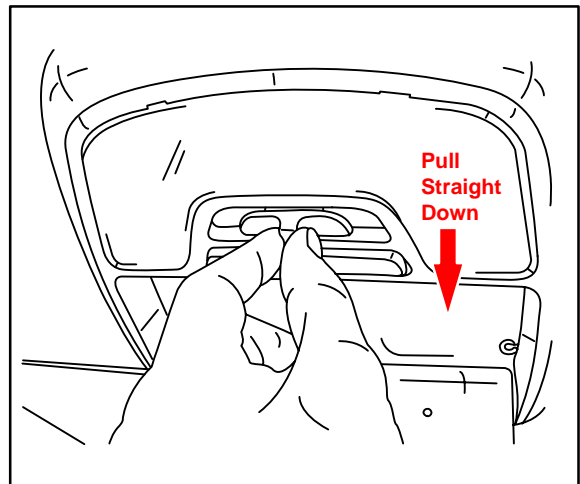
** Refers to drawer number in SST Storage System.

NOTE:
Additional SSTs may be ordered by calling SPX/OTC at 1-800-933-8335.

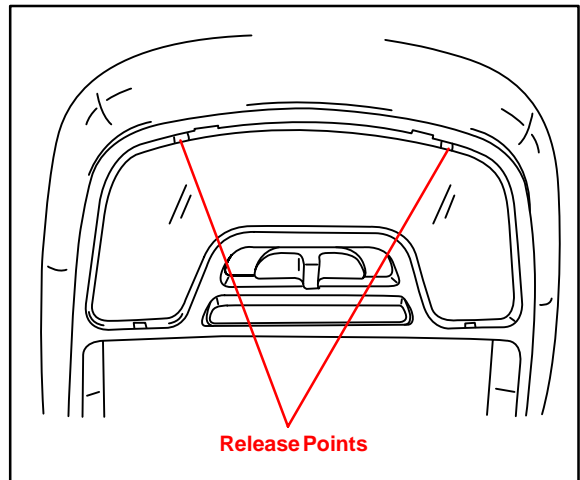
Repair Procedure

The repair procedure requires removing the shroud and inserting a small metal shim (P/N PT296-60062-SK) into the latch opening.

1. With fingers, remove the switch button by carefully pulling down to disengage.

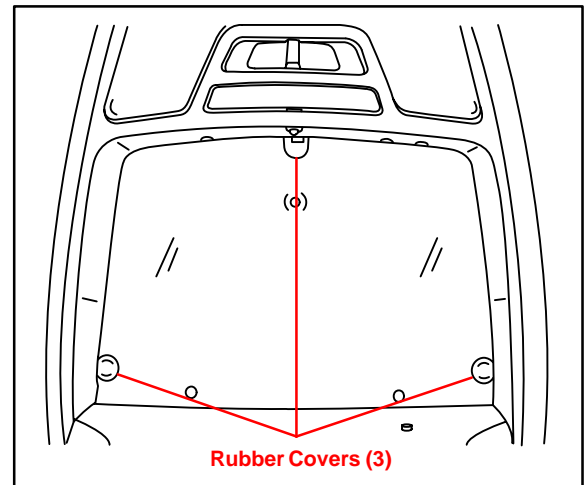


2. Remove the dome light lens by inserting the plastic pry tool into the release points.

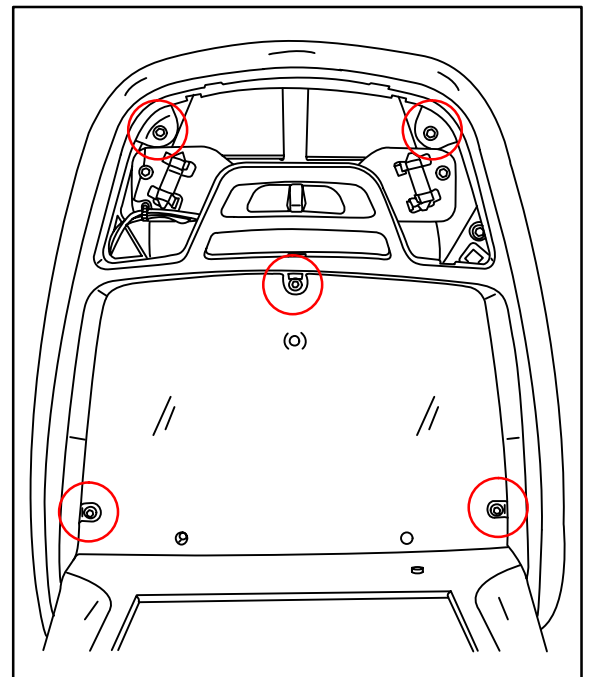


**Repair
Procedure**
(Continued)

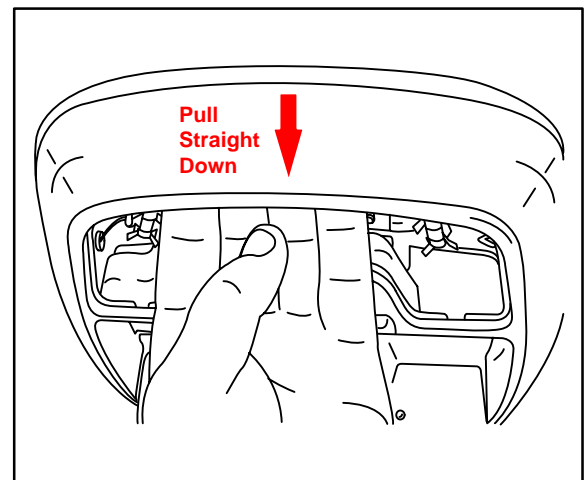
3. Remove the three (3) rubber covers.



4. Remove the five (5) Torx screws.

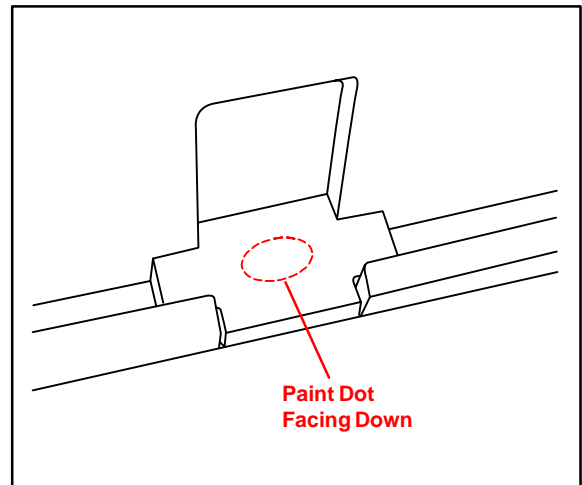


5. Remove the shroud cover by pulling down on the rear portion first, and then slide the front portion forward to disengage the clips.

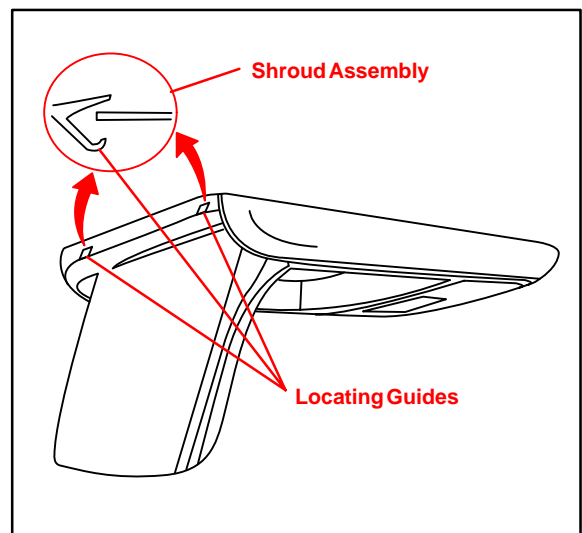


**Repair
Procedure**
(Continued)

6. Install the small metal shim (P/N PT296–60062–SK), with the paint dot facing down, into the shroud latch opening. Be sure it is secure.



7. Reinstall the shroud cover making sure the locking guides are properly engaged.



8. Install the five (5) Torx screws to secure the shroud.
9. Install the three (3) rubber screw covers.
10. Install the dome light lens.
11. Install the switch button.
12. Confirm that the video display screen opens and closes properly.