

Remanufactured Automatic Transmission Serial Number Location

Service Category Drivetrain

Section Automatic Transmission/Transaxle

Market USA

Toyota Supports
 ASE Certification 

Applicability

YEAR(S)	MODEL(S)	ADDITIONAL INFORMATION
2006 – 2009	4Runner, Avalon, Camry, Corolla, FJ Cruiser, Highlander, Land Cruiser, Matrix, RAV4, Sequoia, Sienna, Solara, Tacoma, Tundra, Venza, Yaris	Transmission(s): 5AT, 6AT, 4AT

TSB SUPERSESSION NOTICE

The information contained in this TSB supersedes TSB No. TC013-06.

- Applicability has been updated to include 2008 – 2009 model year vehicles.

TSB No. TC013-06 is Obsolete and any printed versions should be discarded. Be sure to review the entire content of this service bulletin before proceeding.

Introduction

The purpose of this TSB is to assist in the identification and location of serial numbers on 2006 – 2009 model year remanufactured automatic transmissions.

Remanufactured Automatic Transmission Serial Number Location

Introduction

NOTE

- When writing a Field Technical and/or Product Report, the serial number **MUST** be provided.
- Warranty policy requires shipment of **ALL** replaced transmissions to AWTEC, even if the transmission is replaced with a new service unit.
- Warranty policy requires the Core Return Credit Request (CRCR) form be filled out correctly and returned with the core.
- Per Toyota Warranty Policy & Procedures ["Policy 4.23: Remanufactured Automatic Transmission Replacement"](#):
 - Whenever a remanufactured or OEM automatic transmission is replaced, the serial number of the failed component must be entered in the "Transmission Serial Number" field, which can be found on the "Additional Information" tab of the warranty claim.
 - If any non-hybrid OE or remanufactured automatic transaxles/transmissions and/or torque converters inadvertently appear on the Scrap Report, or if the Part Recovery Request Screen "*Scrap Field*" indicates "Y", **DO NOT SCRAP THESE PARTS**. All OE and remanufactured automatic transaxles/transmissions and torque converters are still required to be shipped to AWTEC for remanufacture.

Warranty Information

OP CODE	DESCRIPTION	TIME	OFD	T1	T2
N/A	Not Applicable to Warranty	–	–	–	–

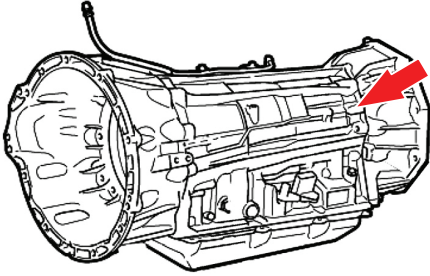
Engine/Transmission Reference

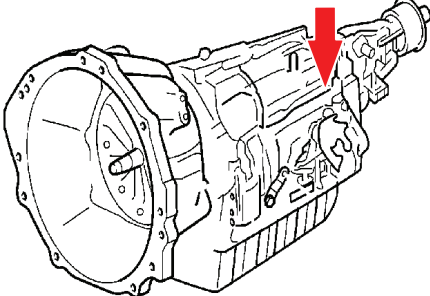
NOTE

Serial numbers on remanufactured transmissions are highlighted with paint.

Remanufactured Automatic Transmission Serial Number Location

Engine/Transmission Reference (Continued)

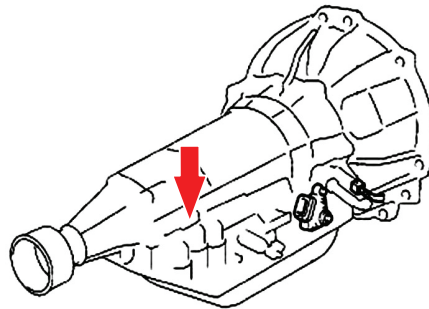
TRANSMISSION MODEL	MODEL	MODEL YEAR	ENGINE	SERIAL NUMBER
AB60E/F	Land Cruiser	2008 – 2009	3UR	Example: 08 A U 0001 P 08: Year of Manufacture A: Month of Manufacture (A - M, "I" not used) U: Transmission Model Code 0001: 4-Digit Serial Number P: Remanufactured Service Digit Location: Left Rear of Transmission Case About Half Way Up (as shown below)
	Sequoia			
	Tundra	2007 – 2009		
				

TRANSMISSION MODEL	MODEL	MODEL YEAR	ENGINE	SERIAL NUMBER
A750E/F	4Runner	2006 – 2009	1GR 2UZ	Example: 08 A P 0001 P 08: Year of Manufacture A: Month of Manufacture (A - M, "I" not used) P: Transmission Model Code 0001: 4-Digit Serial Number P: Remanufactured Service Digit Location: Left Rear of Transmission Case About Half Way Up (as shown below)
	FJ Cruiser	2007 – 2009	1GR	
	Land Cruiser	2006 – 2007	2UZ	
	Sequoia	2006 – 2009		
	Tacoma		1GR	
	Tundra		1GR 2UZ	
				

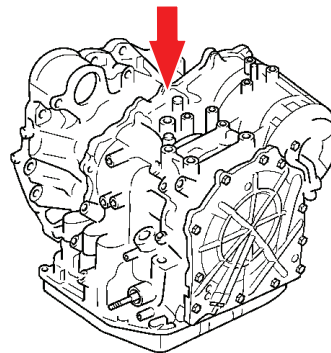
Remanufactured Automatic Transmission Serial Number Location

Engine/Transmission Reference (Continued)

TRANSMISSION MODEL	MODEL	MODEL YEAR	ENGINE	SERIAL NUMBER
A340E	Tacoma	2006 – 2009	2TR	Example: 08 A R 0001 P 08: Year of Manufacture A: Month of Manufacture (A - M, "I" not used) R: Transmission Model Code 0001: 4-Digit Serial Number P: Remanufactured Service Digit Location: Right Rear of Transmission Case About Half Way Up (as shown below)



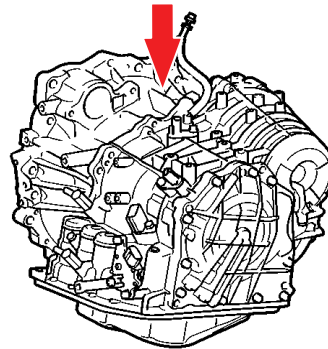
TRANSMISSION MODEL	MODEL	MODEL YEAR	ENGINE	SERIAL NUMBER
U14##	Highlander	2006 – 2007	2AZ	Example: 08 A A 0001 P 08: Year of Manufacture A: Month of Manufacture (A - M, "I" not used) A: Transmission Model Code 0001: 4-Digit Serial Number P: Remanufactured Service Digit Location: Slightly Off Center to the Right on Top of Bell Housing of Transmission (as shown below)
	RAV4	2006 – 2009		
	Matrix	2009		



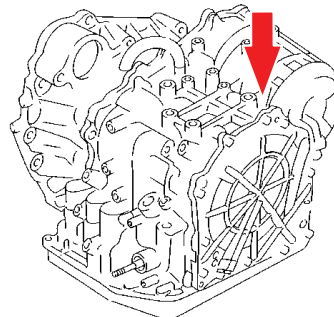
Remanufactured Automatic Transmission Serial Number Location

Engine/Transmission Reference (Continued)

TRANSMISSION MODEL	MODEL	MODEL YEAR	ENGINE	SERIAL NUMBER
U15##	Camry	2006	1MZ 3MZ	Example: 08 A L 0001 P 08: Year of Manufacture A: Month of Manufacture (A - M, "I" not used) L: Transmission Model Code 0001: 4-Digit Serial Number P: Remanufactured Service Digit Location: Slightly Off Center to the Right on Top of Bell Housing of Transmission (as shown below)
	Highlander	2006 – 2007	3MZ	
		2008 – 2009	1GR	
	RAV4	2006 – 2009	2GR	
	Avalon	2006 – 2007	3MZ	
	Sienna	2006	2GR	
		2007 – 2009	3MZ	
Solara	2006 – 2008			



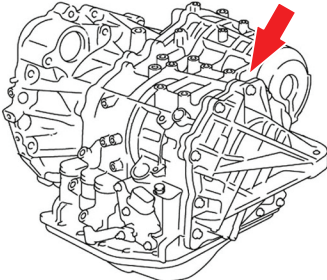
TRANSMISSION MODEL	MODEL	MODEL YEAR	ENGINE	SERIAL NUMBER
U24##	Highlander	2006 – 2007	2AZ	Example: 08 A B 0001 P 08: Year of Manufacture A: Month of Manufacture (A - M, "I" not used) B: Transmission Model Code 0001: 4-Digit Serial Number P: Remanufactured Service Digit Location: Slightly off Center to the Rear of Transmission (as shown below)
	RAV4	2006 – 2009		



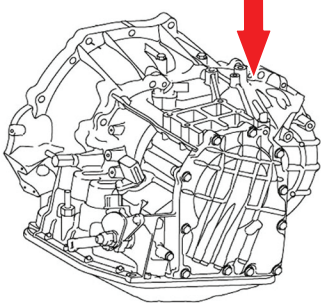
Remanufactured Automatic Transmission Serial Number Location

Engine/Transmission Reference (Continued)

TRANSMISSION MODEL	MODEL	MODEL YEAR	ENGINE	SERIAL NUMBER
U250E	Camry	2006 – 2009	2AZ	Example: 08 A Q 0001 P 08: Year of Manufacture A: Month of Manufacture (A - M, "I" not used) Q: Transmission Model Code 0001: 4-Digit Serial Number P: Remanufactured Service Digit Location: Towards Rear of Transmission Just to the Right (as shown below)
	Corolla	2009		
	Matrix			
	Solara	2006 – 2008		



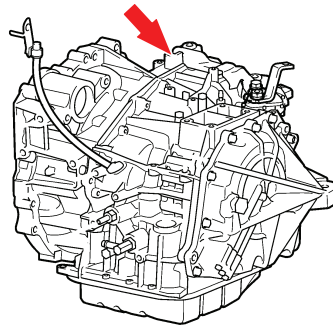
TRANSMISSION MODEL	MODEL	MODEL YEAR	ENGINE	SERIAL NUMBER
U34##	Corolla	2009	2ZR	Example: 08 A G 0001 P 08: Year of Manufacture A: Month of Manufacture (A - M, "I" not used) G: Transmission Model Code 0001: 4-Digit Serial Number P: Remanufactured Service Digit Location: To the Right on Case flange above Differential (as shown below)
	Matrix			
	Yaris	2007 – 2009	1NZ	



Remanufactured Automatic Transmission Serial Number Location

Engine/Transmission Reference (Continued)

TRANSMISSION MODEL	MODEL	MODEL YEAR	ENGINE	SERIAL NUMBER
U660#	Avalon	2008 – 2009	2GR	Example: 07 A Z 0001 A 07: Year of Manufacture A: Month of Manufacture (A - M, "I" not used) Z: Transmission Model Code 0001: 4-Digit Serial Number A: Remanufactured Service Digit Location: Top of Bell Housing Towards Front of Transmission - Serial Number will be Stamped in Transmission Case (as shown below)
	Camry	2007 – 2009		
	Venza	2009		



TRANSMISSION MODEL	MODEL	MODEL YEAR	ENGINE	SERIAL NUMBER
A24##	Corolla	2006 – 2008	1ZZ	Example: 08 A T 0001 P 08: Year of Manufacture A: Month of Manufacture (A - M, "I" not used) T: Transmission Model Code 0001: 4-Digit Serial Number P: Remanufactured Service Digit Location: On the Case Half Flange Above Differential (as shown below)
	Matrix			

