



**Technical Service
BULLETIN**

December 23, 2002

Title:
REAR HEADLINER RATTLES
Models:
'03 4Runner

TSB

**NV/H
NV011-02**

Introduction A rattle from the rear of the headliner may be heard when shutting one of the front doors with all of the other doors and windows closed. The following procedures have been developed to reduce this noise. Please refer to TSB NV009-02 for other headliner rattle concerns.

- Applicable Vehicles**
- **2003** model year **4Runner** vehicles.

**Production
Change
Information**

MODEL	STARTING VIN
4Runner	JTEBT14R430014692

**Parts
Information**

PART NUMBER	PART NAME	QTY
08231-00801	Noise Kit	1

**Warranty
Information**

OP CODE	DESCRIPTION	TIME	OFF	T1	T2
NV1023	R & R Headliner	1.6	63321-350#0-#0	91	99
Combo A	Apply Urethane Sponge and Felt Square	0.4			

Applicable Warranty*:

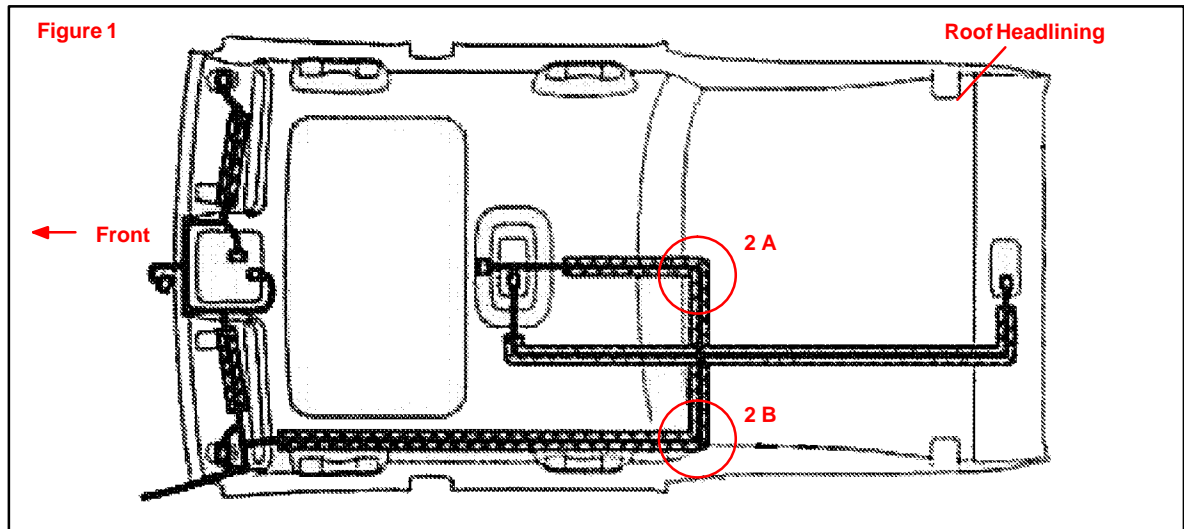
This repair is covered under the Toyota Comprehensive Warranty. This warranty is in effect for 36 months or 36,000 miles, whichever occurs first, from the vehicle's in-service date.

* Warranty application is limited to correction of a problem based upon a customer's specific complaint.



Repair Procedure

1. Remove the roof headlining (refer to 2003 MY 4Runner Repair Manual pages 76–42 to 76–47).

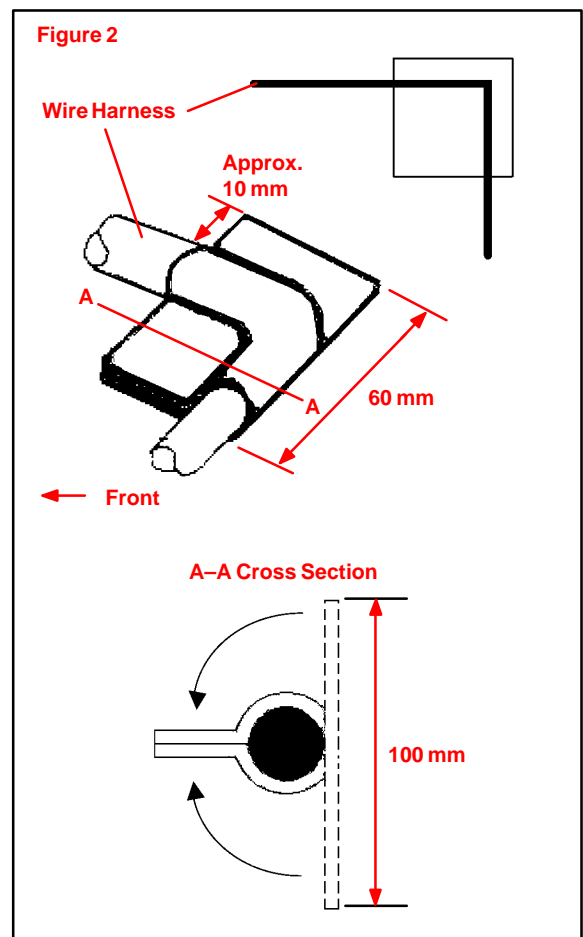


2. Apply urethane sponge material to the roof wire harness of the roof headlining upper surface in positions “2A” and “2B” marked with red circles in Figure 1.

- A. Wrap wire harness as shown in Figure 2 with urethane sponge material (position “2A,” Figure 1).

NOTE:
If urethane sponge material is not available in the following size, patch multiple pieces together.

Urethane Sponge
L: 60 mm
W: 100 mm
T: 5 mm

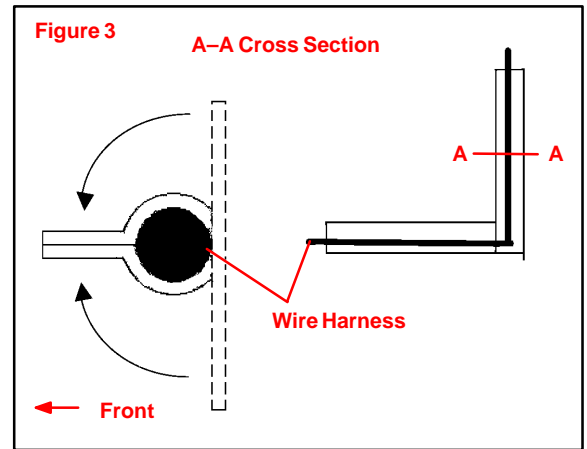


Repair Procedure
(Continued)

B. Wrap wire harness as shown in Figure 3 with urethane sponge material (position 2B, Figure 1).

NOTE:
If urethane sponge material is not available in the following size, patch multiple pieces together.

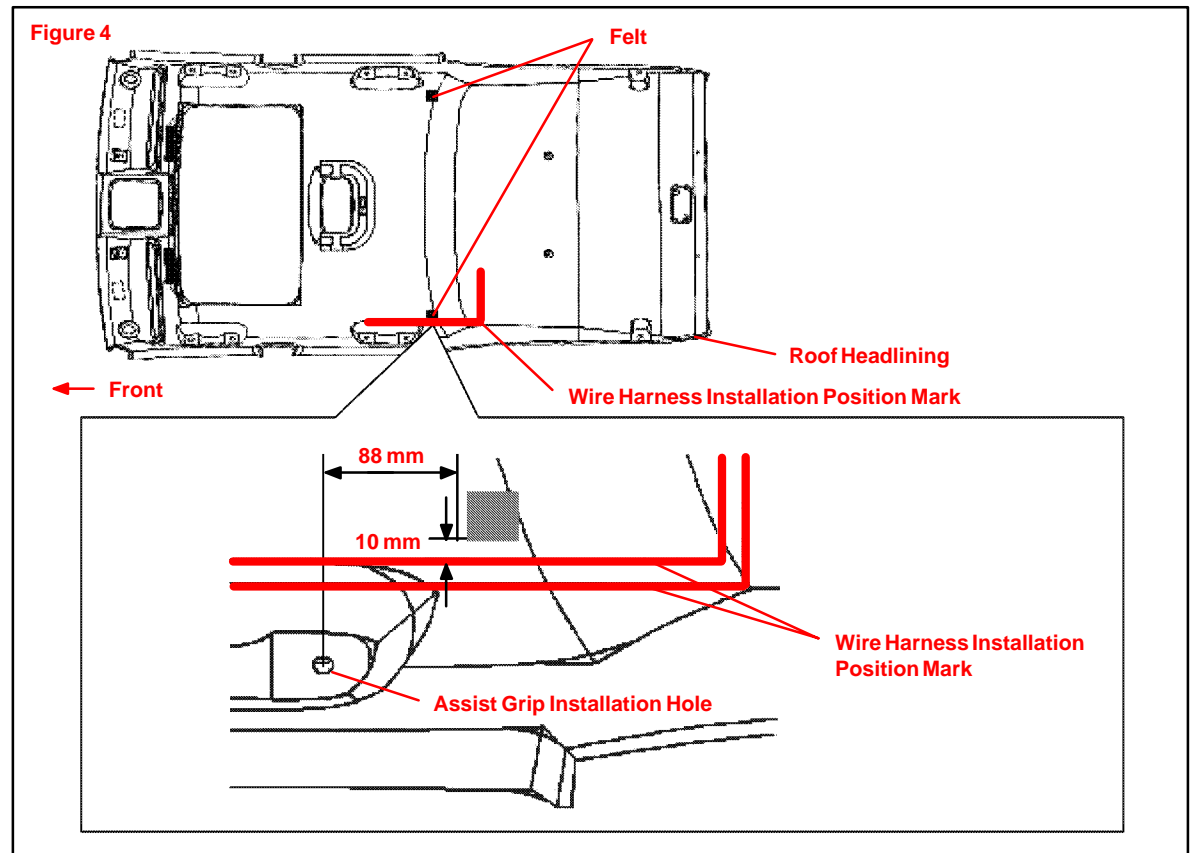
Urethane Sponge
L: 110 mm
W: 40 mm
T: 5 mm



3. Fit two pieces of felt material to the upper roof headlining.

NOTE:
If 3 mm thick felt material is not available, layer multiple pieces to obtain the correct thickness.

Felt
L: 30 mm
W: 30 mm
T: 3 mm



4. Re-install the roof headlining.