



Technical Service BULLETIN

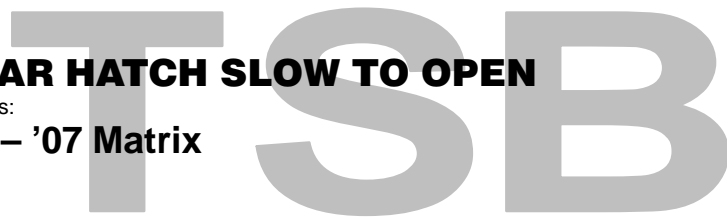
August 29, 2007

Title:

REAR HATCH SLOW TO OPEN

Models:

'03 – '07 Matrix



BODY
B0009-07

Introduction Some customers may complain that the rear hatch may be slow to open by itself in extremely cold weather. New parts information and repair procedures have been provided to address this condition. All other repairs should continue to use original service parts.

- Applicable Vehicles**
- 2003 – 2007 model year **Matrix**

Parts Information

CURRENT PART NUMBER	NEW PART NUMBER	PART NAME	QTY
68950-02051	68950-02151	Stay Assembly, Back Door w/Rear Wiper, RH	1
68960-02041	68960-02141	Stay Assembly, Back Door w/Rear Wiper, LH	1
68950-02061	68950-02161	Stay Assembly, Back Door w/out Rear Wiper, RH	1
68960-02051	68960-02151	Stay Assembly, Back Door w/out Rear Wiper, LH	1

NOTE:

Current part numbers are still good for normal service repairs. The NEW part numbers have been established for cold weather complaints only.

Warranty Information

OP CODE	DESCRIPTION	TIME	OFF	T1	T2
BD7026	Rear Body Tailgate	0.3	68950-02051 68950-02061	9A	14

Applicable Warranty*:

This repair is covered under the Toyota Comprehensive Warranty. This warranty is in effect for 36 months or 36,000 miles, whichever occurs first, from the vehicle's in-service date.

* Warranty application is limited to correction of a problem based upon a customer's specific complaint.



**Repair
Procedure****Removal:****NOTE:**

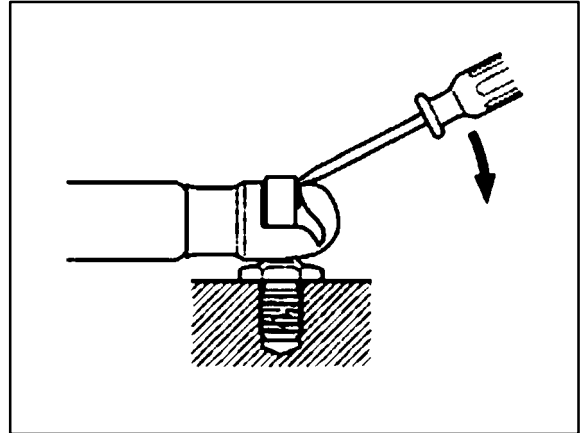
- Use the same procedures for the RH side and LH side.
- Perform Removal and Installation steps for one side at a time.
- Tape the screwdriver tip before use.

Remove the back door stay assembly

1. Using a screwdriver, remove the stay clip from the stay up side.
2. Using a screwdriver, remove the stay clip from the stay lower side.

NOTE:

While supporting the back door with your hand, remove the back door stay.

**Installation:**

1. Install the back door stay assembly with the 2 stay clips.
2. Repeat the removal and installation steps for the opposite side.
3. Verify the back door opens and closes properly, once both back door stay assemblies have been installed.

Repair Procedure
(Continued)

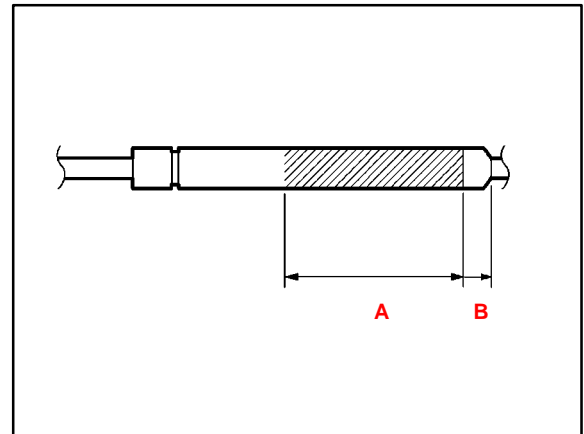
Disposal:

Release the gas charge in the old stay assemblies by following this procedure.

1. Horizontally mount the stay in a vise with the rod pulled out.
2. Wearing safety glasses, slowly release the gas charge by gradually cutting a hole (using a metal saw blade) in the stay body area marked "A" in the illustration to the right.

Dimensions:

A	80 mm (3.15 in.)
B	20 mm (0.80 in.)



NOTE:

The gas is colorless, odorless, and harmless.