



**Technical Service
BULLETIN**

January 19, 2001

Title:

**PROGRAMMING THE HOMELINK[®]
UNIVERSAL TRANSCEIVER**

Models:

All Applicable Models

**ELECTRICAL
EL001-01**

Introduction This bulletin is to advise dealer personnel how to effectively program the HomeLink[®] Universal Transceiver. HomeLink[®] is a universal transceiver that is designed to operate garage doors, gates, entrance doors, door locks and home lighting systems, as well as security systems.

**Applicable
Vehicles**

MODEL	YEAR	BODY STYLE
Avalon	2000/2001	XLS
4Runner	2001	Limited
Sequoia	2001	Limited and option on SR5
Sienna	2001	XLE
Solara	1999	SLE V6
	2000	SLE V6 Coupe
	2001	SLE V6 Coupe and Convertible

**Cautions
Before
Programming**

CAUTIONS BEFORE PROGRAMMING THE HOMELINK[®] UNIVERSAL TRANSCEIVER:

- Do NOT use the HomeLink[®] Universal Transceiver with any garage door opener that lacks the safety stop and reverse feature as required by federal safety standards. (This includes any garage door opener model manufactured before April 1, 1982.) A garage door opener, which cannot detect an object, signaling the door to stop and reverse, does not meet current federal safety standards.
- When programming the HomeLink[®] Universal Transceiver, you may be operating a garage door or other device. Make sure that people and objects are out of the way of the garage door or other device to prevent potential harm or damage.

**Warranty
Information**

OP CODE	DESCRIPTION	TIME	OPN	T1	T2
N/A	Not Applicable to Warranty	-	-	-	-



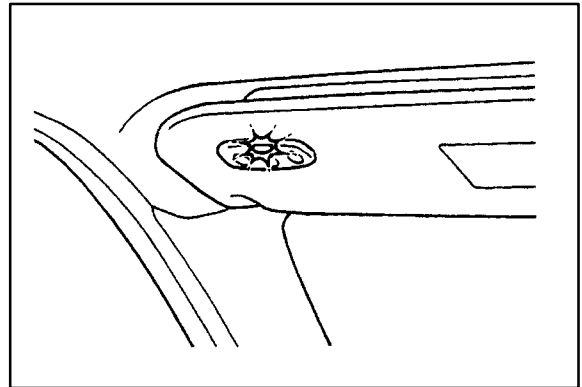
Programming Procedure**Programming the HomeLink® Universal Transceiver**

Follow the procedure below to program the HomeLink® Universal Transceiver. At the end of this bulletin, there are tips and troubleshooting information that are provided as a useful information guide.

The HomeLink® Universal Transceiver, located in the vehicle's overhead console or driver's side visor, has 3 buttons and can store one program for each button.

First Time Programming

1. Press and hold down the 2 outside buttons until the indicator light begins to flash (after approximately 20 seconds), then release both buttons. (Please refer to "LED Light Definitions" in this bulletin.)
 - Do NOT hold the buttons down for longer than 30 seconds!
 - Do not repeat this step to program the remaining buttons. (Proceed to Step 2.)
 - It is recommended for maximum range performance to put new batteries in the hand-held transmitter supplied with garage door opener before training the HomeLink® Universal Transceiver.

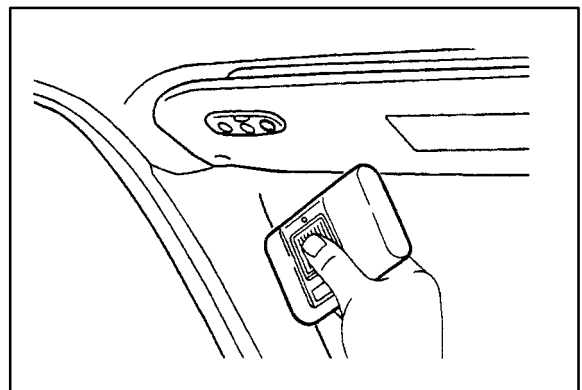


2. Place the hand-held transmitter 1 to 3 inches away from the surface of the HomeLink® Universal Transceiver.

NOTE:

Keep the indicator light on the HomeLink® in view while programming.

3. Simultaneously press and hold the hand-held transmitter button along with the selected HomeLink® button. Do not release the buttons until Step 4 has been completed.
4. When the LED (indicator) light on the HomeLink® changes from a slow to a rapid flash release both buttons.



**First-Time
Programming**
(Continued)

5. Test the operation of the HomeLink® by pressing the newly programmed button. Check to see if the device operates garage door correctly.
 - If the device operates properly, the programming is complete.

NOTE:

Repeat Steps 2 through 5 for each remaining HomeLink® button to program another device.

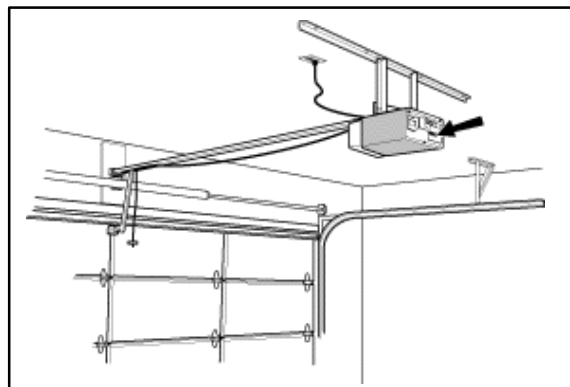
IMPORTANT:

If the garage door does not operate, press and hold the trained HomeLink® button. If the indicator light flashes rapidly and then turns solid after 2 seconds, it may be the “rolling code” type, therefore, proceed to Step 6.

NOTE:

A second person may make the following Steps (6 through 9) quicker and easier.

6. Locate the “training” button on the ceiling-mounted garage door opener motor. The exact location and color of the button may vary by brand of garage door opener.
7. Press and release the “training” button on the ceiling-mounted garage door opener motor.
8. Press and release the vehicle’s programmed HomeLink® button twice. If the door opens, the programming process is complete. If the door does not open, it may be necessary to press and release the button a third time.
9. The ceiling-mounted garage door opener motor should now recognize the HomeLink® and should activate the garage door.

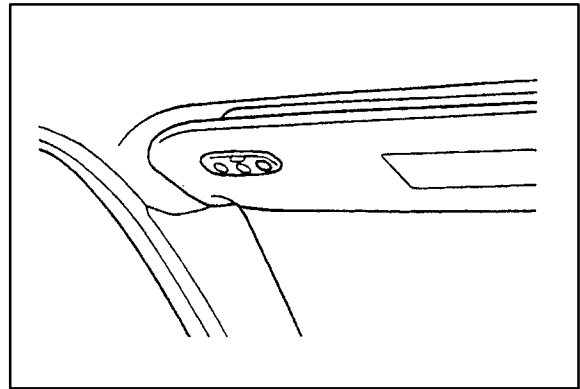


**Programming
An Entrance
Gate**

1. Decide which of the 3 HomeLink® buttons you want to program. (See Step 1 in “First Time Programming.”)
2. Place the hand-held gate transmitter 1 to 3 inches away from the surface of the HomeLink® Universal Transceiver.

NOTE:

Keep the indicator light on the HomeLink® in view while programming.



3. Press and hold the selected HomeLink® button.
4. Continuously press and release (cycle) the hand-held gate transmitter button every 2 seconds until Step 5 is complete.
5. When the LED (indicator) light on the HomeLink® changes from a slow to a rapid flash, release both buttons.
6. Test the operation of the HomeLink® by pressing the newly programmed button. Check to see if the gate operates correctly.

**Reprogramming
A Button**

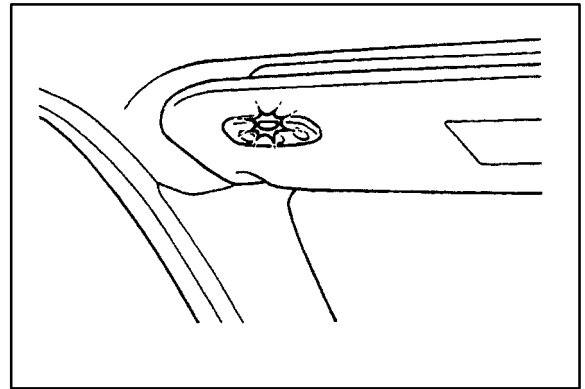
Individual HomeLink® buttons cannot be erased, however, to reprogram a single button, follow the steps listed below.

1. Select the correct programming procedure based on the device the customer wants programmed.
 - A. Programming the HomeLink® Universal Transceiver.
 - B. Programming an entrance gate.
2. Press and hold down the selected button until the indicator light on the HomeLink® begins to flash slowly. Do not release this button until the programming is complete.
3. Proceed to Step 2 of the selected programming procedure for the remaining programming instructions.

**Erasing
Programming
Memory**

**Erasing The Entire HomeLink® Memory
(All Three Programs)**

To erase **ALL** previously programmed codes at one time, press and hold down the 2 outside buttons until the indicator light flashes. (See Step 1 in “First Time Programming.”)



**Programming
Other
Devices**

The HomeLink® Universal Transceiver may be programmed to operate other devices such as entry doors, door locks, security systems, as well as home lighting systems.

NOTE:

Accessories may be necessary to operate some of the other devices listed above.

On behalf of the customer, additional information and/or programming instructions for other devices can be obtained from HomeLink® at 1-800-355-3515 or on their web site at www.homelink.com.

**LED Light
Definitions**

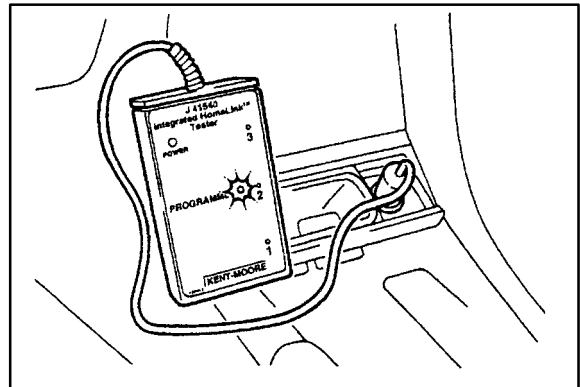
CONDITION	DEFINITION
Constant Light (Solid)	HomeLink® is in the default mode and has not been cleared. OR HomeLink® is transmitting a signal from a fixed code device.
Slow Blink	The HomeLink® is in program mode. (Ready to accept hand-held transmitter)
Fast Blink	The HomeLink® has just accepted the program from the hand-held transmitter.
Fast Blink for 1–2 seconds THEN Constant Light (Solid)	The HomeLink® is trained to operate rolling code devices.
No Light	No power to the HomeLink®. OR HomeLink® is malfunctioning.

Programming Tips & General Information

- The compatible programming frequency range of the HomeLink® is between 288–322 MHz and 335–399 MHz.
- To ensure maximum range of the HomeLink®, install a new battery in the hand-held transmitter prior to programming.
- The effective transmission range of the HomeLink® is usually equal to or greater than the hand-held transmitter.
- The battery side of the hand-held transmitter must be pointed away from the HomeLink® during the programming process.
- Keep the LED (Indicator Light) on the HomeLink® in view while programming.
- Hold the hand-held transmitter 1–3 inches away from the HomeLink® while programming.
- When programming rolling code, the training button can usually be found on the back of the garage door motor near the antenna wire.

NOTE:

- Toyota offers an optional Integrated HomeLink® Tester as an available Special Service Tool: SST# TOY280087.



HomeLink® Tester Functions

The Integrated HomeLink® Tester (available SST# TOY280087) is a tool that can be used to test the operating functions and performance of the HomeLink® Universal Transceiver.

Using the operating instructions provided with the Tester, there are three tests (Functionality, Range and Training) that can be performed.

- Functionality Test:
 - Confirms power and ground source to the vehicle HomeLink®
 - Confirms that the HomeLink® programs can be cleared and that the HomeLink® can be placed in the default mode
 - Checks each signal of the three HomeLink® channels
- Range Test:
 - Verifies the range of the HomeLink® to be within 50 to 100 feet from the vehicle for all three channels
- Training Test:
 - Confirms the HomeLink® can be programmed to match the hand-held transmitter
 - Verifies that the HomeLink® can transmit the programmed signal