

OBSOLETE

PLEASE SEE BO017-07 (superseding TSB)



Technical Service BULLETIN

March 23, 2001

Title:

NEW SEAT BELT TONGUE PLATE STOPPER SERVICE PARTS

Models:

All Applicable Models

BODY
BO011-01

Introduction A new service part for the seat belt tongue plate stopper has been introduced. Installation procedures are provided to supplement the Repair Manual.

Applicable Vehicles

MODEL	YEAR
Avalon	1995 – 2001
Camry	1983 – 2001
Corolla	1980 – 2001
Camry Solara	1999 – 2001
Sienna (Front Seat Belt Only)	1998 – 2001
RAV4	1997 – 2001
4Runner	1992 – 2001
Land Cruiser	1991 – 2001
Tundra	2000 – 2001
Tacoma	1997 – 2000
ECHO	2000 – 2001
Celica	1980 – 2001
Prius	2001 – 2001
Tercel	1981 – 1999

Parts Information

PREVIOUS PART NUMBER	CURRENT PART NUMBER	PART NAME
N/A	73219-02010	Stopper, Tongue Plate (Black)*
N/A	73219-02020	Stopper, Tongue Plate (Gray)*
N/A	73219-02030	Stopper, Tongue Plate (Beige)*

* Use a stopper color that is closest to the seat belt webbing color.

Warranty Information

OP CODE	DESCRIPTION	TIME	OPN	T1	T2
BD0047	Install Seat Belt Tongue Plate Stopper	0.1	73219-020#0	62	12

Applicable Warranty*:

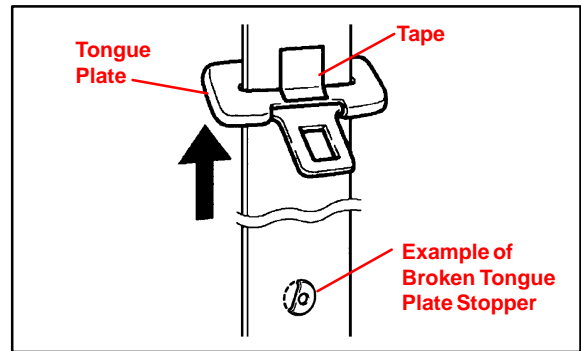
This repair is covered under the Toyota Comprehensive Warranty. This warranty is in effect for 36 months or 36,000 miles, whichever occurs first, from the vehicle's in-service date.

* Warranty application is limited to correction of a problem based upon a customer's specific complaint.



Installation Procedure**1. Preparation**

- A. Shift the Tongue Plate to the upper portion of the Tongue Plate Stopper, and temporarily hold it with a clip or tape.
- B. Remove any pieces of the original Tongue Plate Stopper in the webbing, with a pair of pliers.

**CAUTION:**

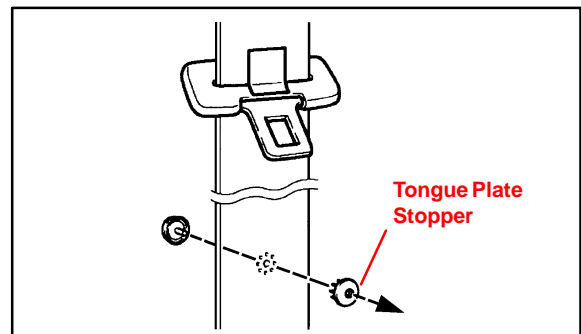
Damaged or weakened seat belts may break in an accident and injure the occupant. The seat belt assembly must be replaced if:

- The webbing is cut, frayed, worn, or damaged.
- It has been used in a severe impact.

Inspect the entire length of webbing for damage and replace the assembly if needed. Be careful not to damage the webbing during repair.

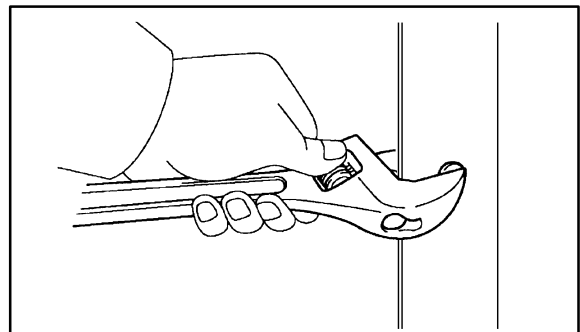
2. Install the New Tongue Plate Stopper

- A. Install a new Tongue Plate Stopper in the hole of the webbing.

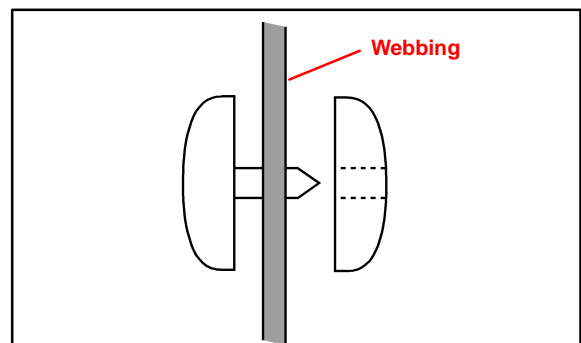
**NOTE:**

Be aware of the installation direction of the Tongue Plate Stopper as shown in the illustration.

- B. Pinch the Tongue Plate Stopper into the webbing using an adjustable wrench, and turn and push the adjustment screw by hand.

**HINT:**

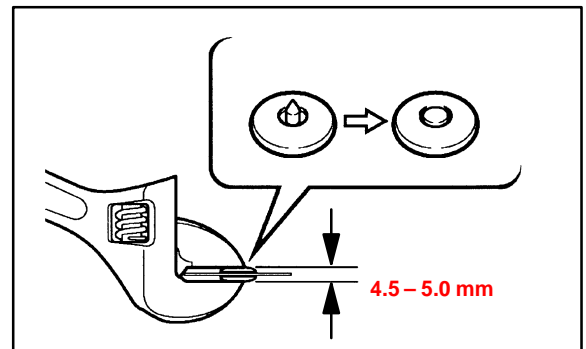
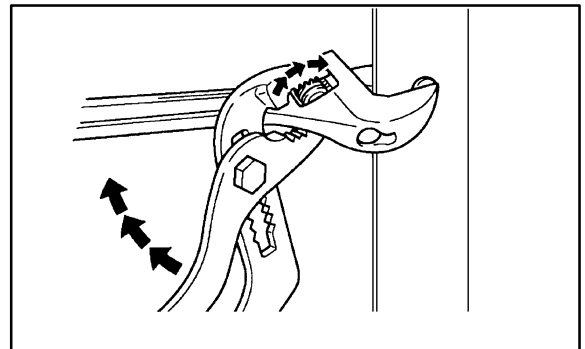
Press the adjustment screw in order to position the male and female parts of the Tongue Plate Stopper parallel to each other, as shown in illustration.

**CAUTION:**

DO NOT use pliers. They may damage the webbing.

**Installation
Procedure
(Continued)**

- C. When the adjustment screw for the adjustable wrench can't be turned by hand, tighten the adjustment screw using a pair of adjustable joint pliers until the space between jaws of the adjustable wrench is 4.5 – 5.0 mm. (See illustrations.)



- D. Check to be sure that the male pin of the Tongue Plate Stopper has become deformed evenly in the hole of the female part and is firmly held to the belt webbing. (See illustrations.)

