

TOYOTA

SERVICE BULLETIN

TOYOTA MOTOR SALES, U.S.A., INC.

VOLUME

9

REFERENCE ENGINE _____

NUMBER 015

DATE 02-12-88

MODEL AW16

Page 1 of 1

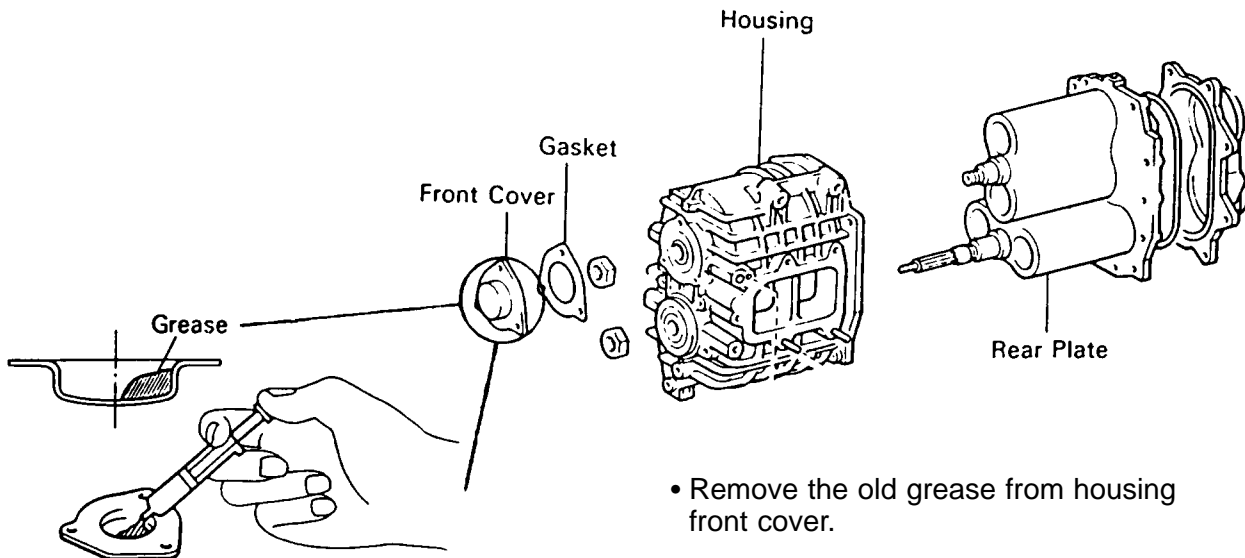
MR2 SUPERCHARGER GREASE AVAILABILITY

Currently, Toyota supplies special grease to be used in the supercharger housing front cover during servicing (see fig. below).

P/N: 08887-80109

To improve availability of the proper grease, information on a U.S. Domestic supplier follows:

Name of Grease: BARRIERTA IMI
U.S. Supplier: Robert Reiner, Inc.
P.O. Box 804
Weehawken, NJ 07087



- Remove the old grease from housing front cover.
- Place 2g (0.09 oz.) of new supercharger grease into the housing front cover.