



TOYOTA Technical Service BULLETIN

March 26, 1999

Title:

MODIFIED REAR CUP HOLDER

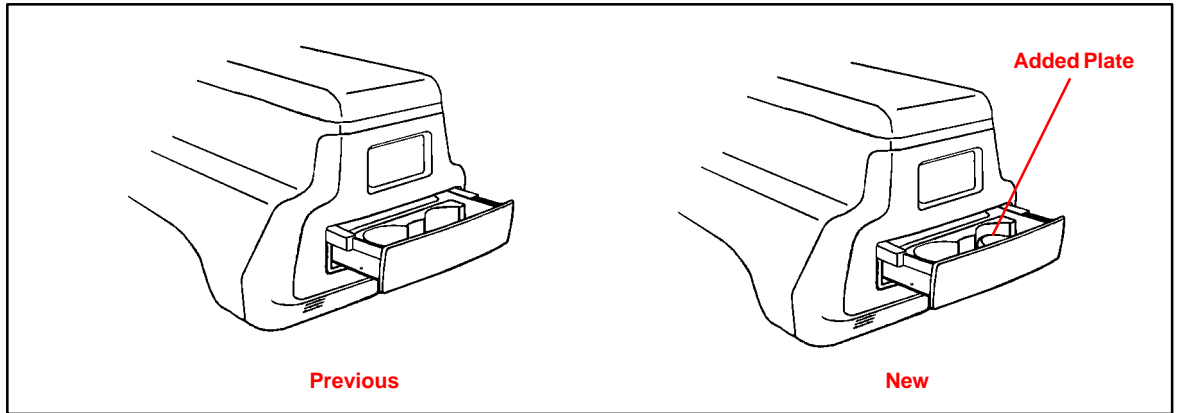
Models:

'98-'99 Land Cruiser

BODY
BO006-99



Introduction A plate has been added into the Rear Cup Holder and Console Rear End Panel of the Land Cruiser to increase rigidity of this area.



Affected Vehicles

- 1998 Land Cruisers within the following VIN range:
JT3HT05J*W0001001 ~ X0025808
- 1999 Land Cruisers starting with VIN: JT3HT05J*X0025809

Warranty Information

OP CODE	DESCRIPTION	TIME	OPN	T1	T2
BD8036	Add Bracket To Console Rear End Panel	0.5	58803-60010	40	84

Applicable Warranty*:

This repair is covered under the Toyota Basic Warranty. This warranty is in effect for 36 months or 36,000 miles, whichever occurs first, from the vehicle's in-service date.

* Warranty application is limited to correction of a problem based upon a customer's specific complaint.



Parts Information

–1998 MY Land Cruiser (VIN# JT3HT05J*W0001001~X0025808)

PREVIOUS PART NUMBER*	CURRENT PART NUMBER	PART NAME
58903–60020–A0	58903–60H00–A	Panel Assembly with Cup Holder, Rear End
58903–60020–B0	58903–60H00–B	Panel Assembly with Cup Holder, Rear End
58803–60010–A0	58803–60H00–A0	Box Sub–Assembly with Rail Console Cup Holder
58803–60010–B0	58803–60H00–B0	Box Sub–Assembly with Rail Console Cup Holder

* Previous supply parts have been discontinued.

–1999 MY Land Cruiser (VIN# JT3HT05J*X0025809~)

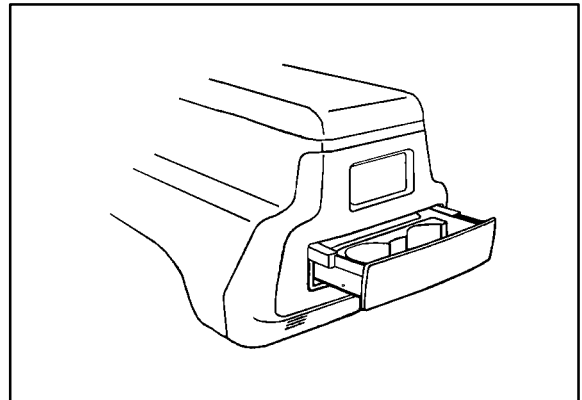
PREVIOUS PART NUMBER*	CURRENT PART NUMBER	PART NAME
58903–60020–A0	58903–60021–A0	Panel Assembly, Rear End
58903–60020–B0	58903–60021–B0	Panel Assembly, Rear End
58803–60010–A0	58803–60011–A0	Box Sub–Assembly, Console Cup Holder
58803–60010–B0	58803–60011–B0	Box Sub–Assembly, Console Cup Holder

Installation Procedure

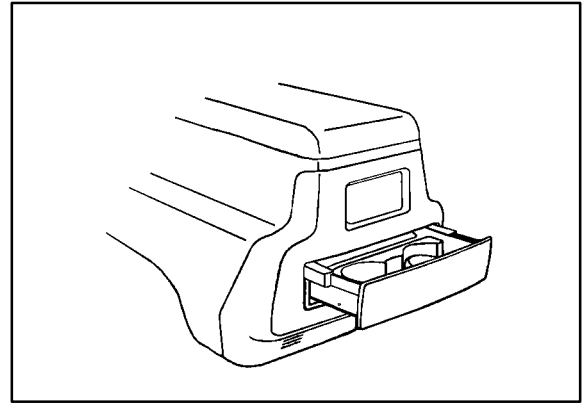
1. Remove Console Rear End Panel:

Adjust both front seats to the most forward position.

Then open the Cup Holder. With the Cup Holder open, fold it as if it was in the closed position.

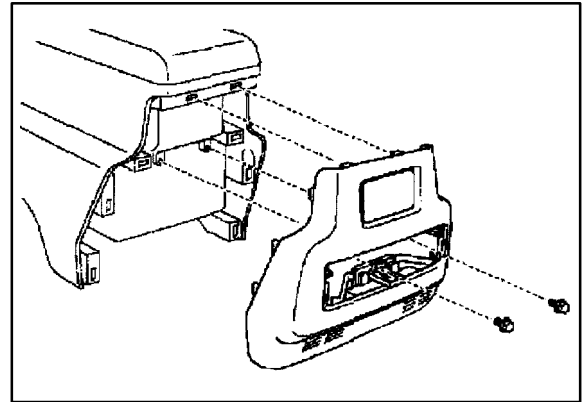


Installation Procedure
(Continued) Holding the Cup Holder closed, remove the two screws with an 8 mm socket. Then remove the Console Rear End Panel by pulling out towards the back of the vehicle.



2. Install New Bracket:

- A. Remove the three self-tapping screws and remove the Cup Holder.
- B. Install the new Cup Holder to the Rear End Panel. Reinstall the three self-tapping screws and tighten.



3. Install Rear End Cover and Cup Holder:

- A. Reinstall the Rear End Panel and two screws.

NOTE:

Route the heater switch wire to the outside of the Cup Holder rail.

- B. Pull out the 2 rails completely and install the Cup Holder.
- C. Confirm Cup Holder operation.

