

# Lower B Pillar Garnish Loose

**Service Category** Vehicle Interior

**Section** Interior Panels/Trim

**Market** USA

Toyota Supports  
 ASE Certification 

## Applicability

| YEAR(S)     | MODEL(S) | ADDITIONAL INFORMATION |
|-------------|----------|------------------------|
| 2009 – 2010 | Corolla  |                        |
| 2009 – 2010 | Matrix   |                        |

## Introduction

Some 2009 – 2010 Corolla and Matrix vehicles may exhibit a condition where the Lower “B” Pillar trim garnish becomes loose or detached. A new clip has been developed to address this concern. Use the following repair information to install the clip.

## Warranty Information

| OP CODE | DESCRIPTION  | TIME | OFF            | T1 | T2 |
|---------|--|------|----------------|----|----|
| BD9047  | Center Pillar Garnish Clip Installation (one side) | 0.5  | 6241#-021#0-## | 62 | 57 |
| Combo A | Opposite side                                      | 0.5  |                |    |    |

### APPLICABLE WARRANTY

- This repair is covered under the Toyota Comprehensive Warranty. This warranty is in effect for 36 months or 36,000 miles, whichever occurs first, from the vehicle’s in-service date.
- Warranty application is limited to occurrence of the specified condition described in this bulletin.

## Parts Information

| MODEL   | CURRENT PART NUMBER | PART NAME                            | QTY |
|---------|---------------------|--------------------------------------|-----|
| Corolla | 62591-12020         | Plate, Side Trim Base, No. 1 (Left)  | 1   |
|         | 62592-12020         | Plate, Side Trim Base, No. 2 (Right) | 1   |
| Matrix  | 62591-12030         | Plate, Side Trim Base, No. 1 (Left)  | 1   |
|         | 62592-12030         | Plate, Side Trim Base, No. 2 (Right) | 1   |

## Lower B Pillar Garnish Loose

### Required Tools & Equipment

| SPECIAL SERVICE TOOLS (SST'S) | PART NUMBER                    | QTY |
|-------------------------------|--------------------------------|-----|
| Plastic Pry Tool Set*         | <a href="#">00002-06000-01</a> | 1   |

\* Essential SST.

**NOTE**

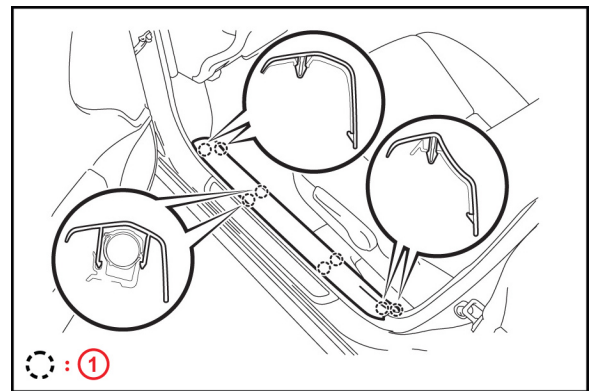
Additional SSTs may be ordered by calling 1-800-933-8335.

### Repair Procedure

Use the same procedure for the LH side and RH side as needed.

1. Remove the front door scuff plate by disengaging the 8 claws.

Figure 1.



|   |      |
|---|------|
| 1 | Claw |
|---|------|

For lower B pillar garnish removal instructions, refer to the Technical Information System (TIS), applicable model and model year Repair Manual:

- [2009](#) / [2010](#) Corolla:

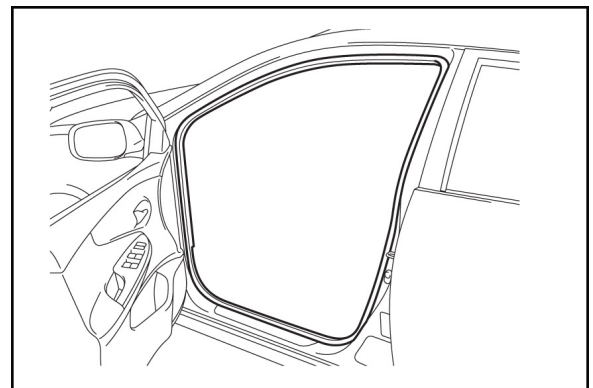
*Vehicle Interior – Interior Panels/Trim – “Interior Panels/Trim: Roof Headlining: Removal”*

- [2009](#) / [2010](#) Matrix:

*Vehicle Interior – Interior Panels/Trim – “Interior Panels/Trim: Roof Headlining: Removal”*

2. Remove the front door opening trim weatherstrip.

Figure 2.

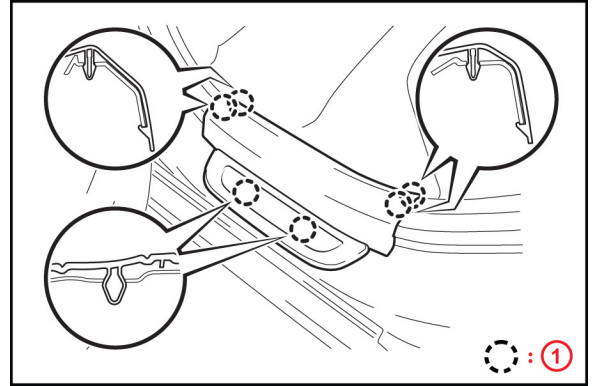


## Lower B Pillar Garnish Loose

### Repair Procedure (Continued)

3. Remove the rear door scuff plate by disengaging the 6 claws.

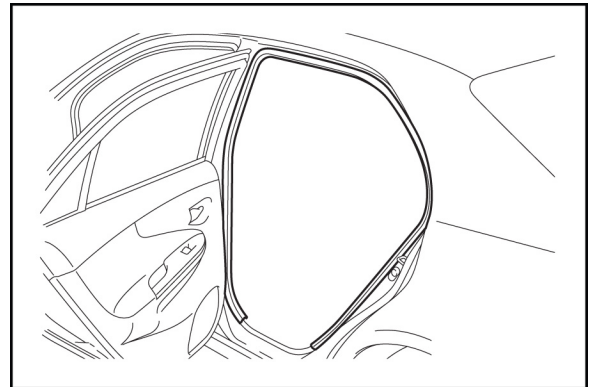
**Figure 3.**



|          |             |
|----------|-------------|
| <b>1</b> | <b>Claw</b> |
|----------|-------------|

4. Remove the rear door opening trim weatherstrip.

**Figure 4.**



## Lower B Pillar Garnish Loose

### Repair Procedure (Continued)

5. Remove the lower center pillar garnish by disengaging the 2 claws and 2 clips.

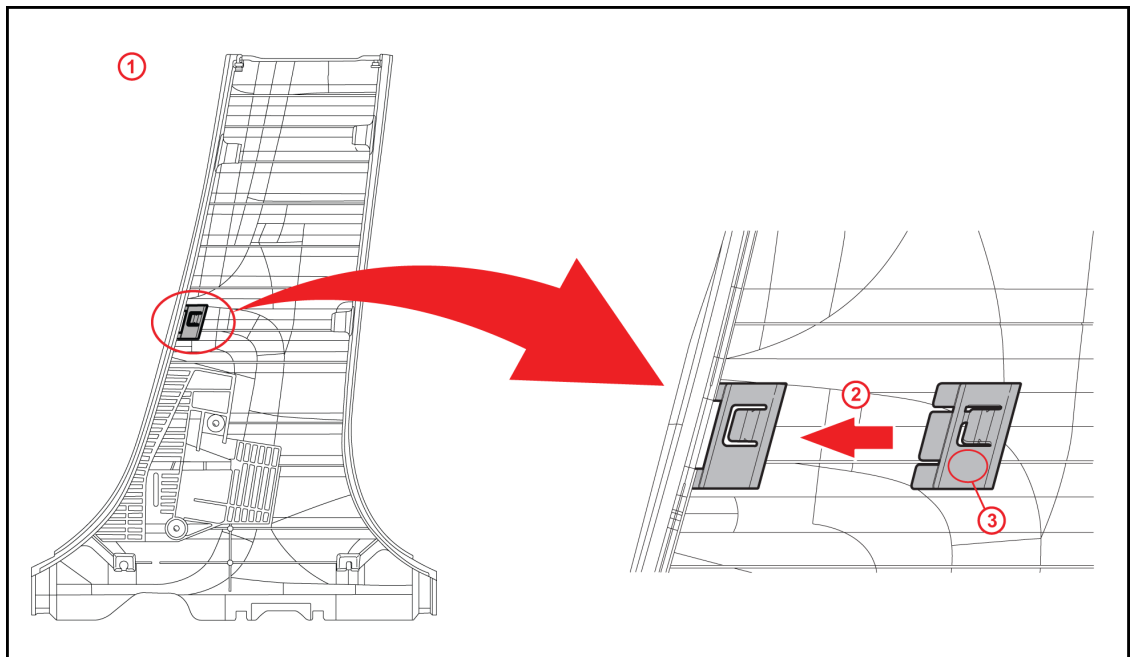
A. Corolla Only:

(1) Add a NEW clip to the center tab as shown in Figure 5.

**NOTE**

There are 2 tabs on the leading edge of the garnish.

Figure 5. Driver's Side



|          |                                   |
|----------|-----------------------------------|
| <b>1</b> | <b>Assembled Clip (Side View)</b> |
| <b>2</b> | <b>Put In Clip</b>                |
| <b>3</b> | <b>Stamp Indicates L or R*</b>    |

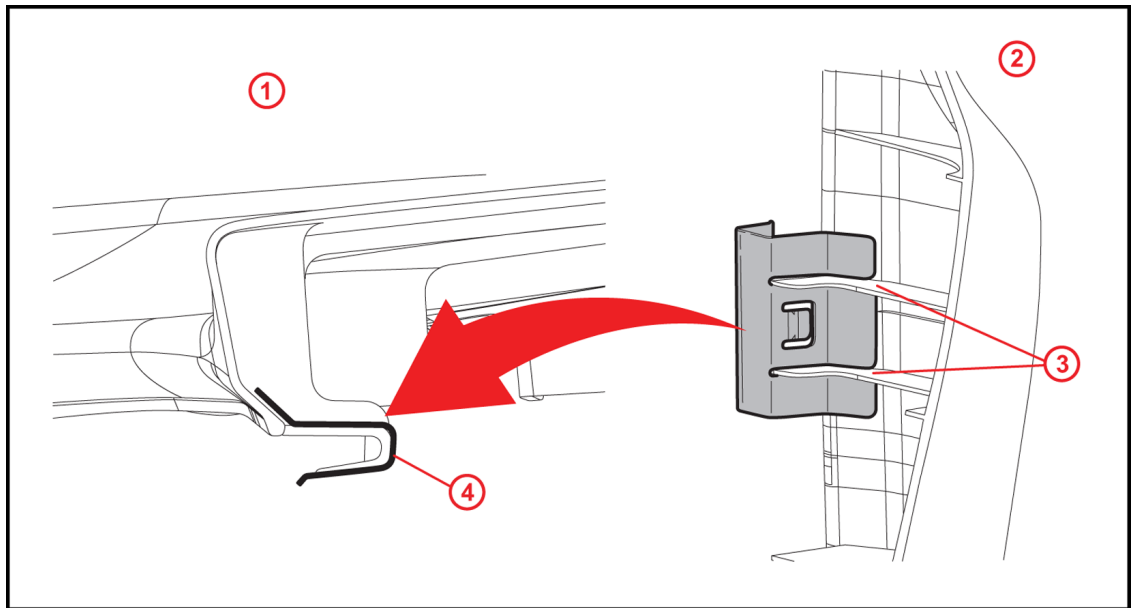
\* L for Driver's Side: 62591-12020 and R for Passenger's Side: 62592-12020

## Lower B Pillar Garnish Loose

### Repair Procedure (Continued)

- (2) The installed clip should resemble the illustration in Figure 6.

**Figure 6.**



|          |                                       |
|----------|---------------------------------------|
| <b>1</b> | <b>Assembled Clip (Upper View)</b>    |
| <b>2</b> | <b>Inside View</b>                    |
| <b>3</b> | <b>Pass the Ribs Through the Slit</b> |
| <b>4</b> | <b>Clip</b>                           |

## Lower B Pillar Garnish Loose

### Repair Procedure (Continued)

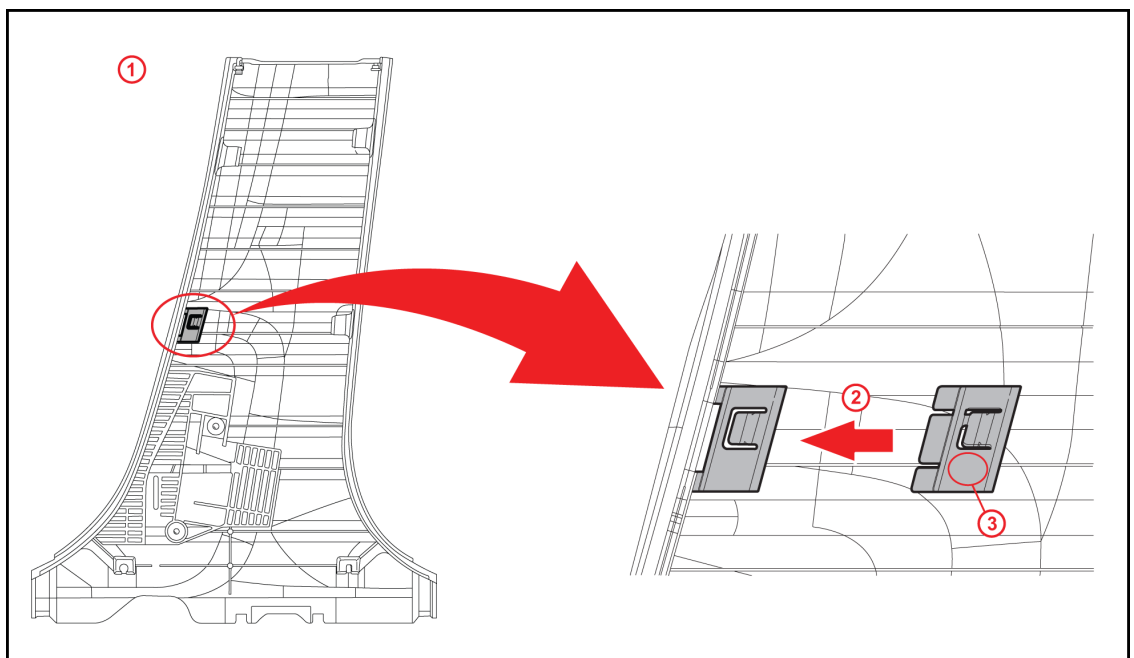
B. Matrix Only:

- (1) Add a NEW clip to the center tab as shown in Figure 7.

**NOTE**

There are 3 tabs on the leading edge of the garnish.

Figure 7. Driver's Side



|          |                                   |
|----------|-----------------------------------|
| <b>1</b> | <b>Assembled Clip (Side View)</b> |
| <b>2</b> | <b>Put In Clip</b>                |
| <b>3</b> | <b>Stamp Indicates L or R*</b>    |

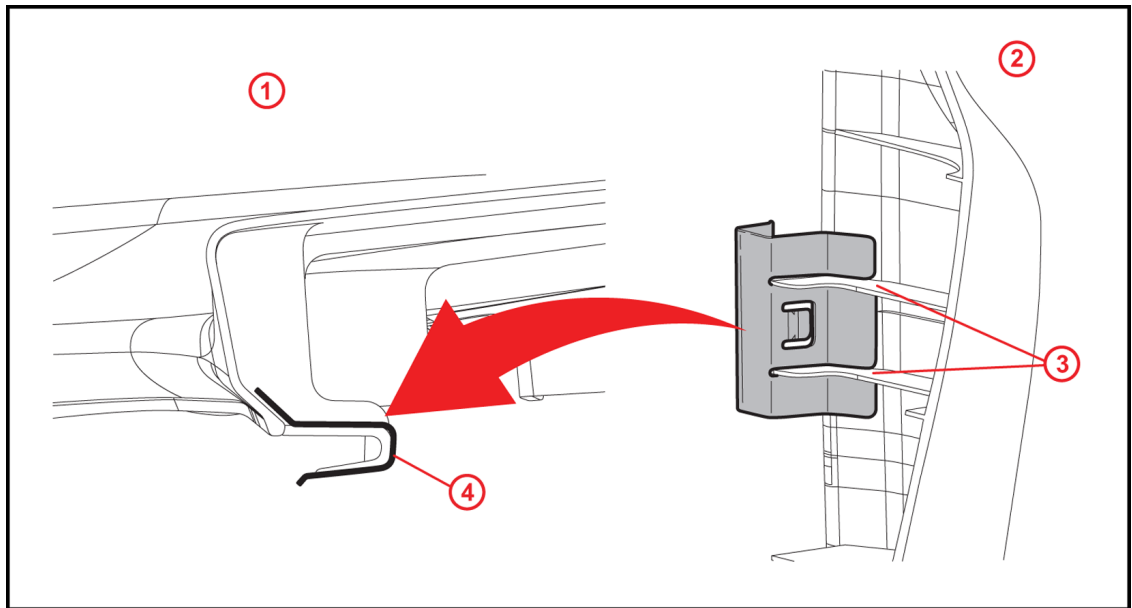
\* L for Driver's Side: 62591-12030 and R for Passenger's Side: 62592-12030

## Lower B Pillar Garnish Loose

### Repair Procedure (Continued)

- (2) The installed clip should resemble the illustration in Figure 8.

**Figure 8.**



|   |                                |
|---|--------------------------------|
| 1 | Assembled Clip (Upper View)    |
| 2 | Inside View                    |
| 3 | Pass the Ribs Through the Slit |
| 4 | Clip                           |

6. Install the lower B pillar garnish in the reverse order of removal.

For lower B pillar garnish installation instructions, refer to TIS, applicable model and model year Repair Manual:

- [2009](#) / [2010](#) Corolla:

*Vehicle Interior – Interior Panels/Trim – “Interior Panels/Trim: Roof Headlining: Installation”*

- [2009](#) / [2010](#) Matrix:

*Vehicle Interior – Interior Panels/Trim – “Interior Panels/Trim: Roof Headlining: Installation”*