

TOYOTA

SERVICE BULLETIN

TOYOTA MOTOR SALES, U.S.A., INC.

VOLUME

10

HEATING AND
REFERENCE AIR CONDITIONING

NUMBER 001

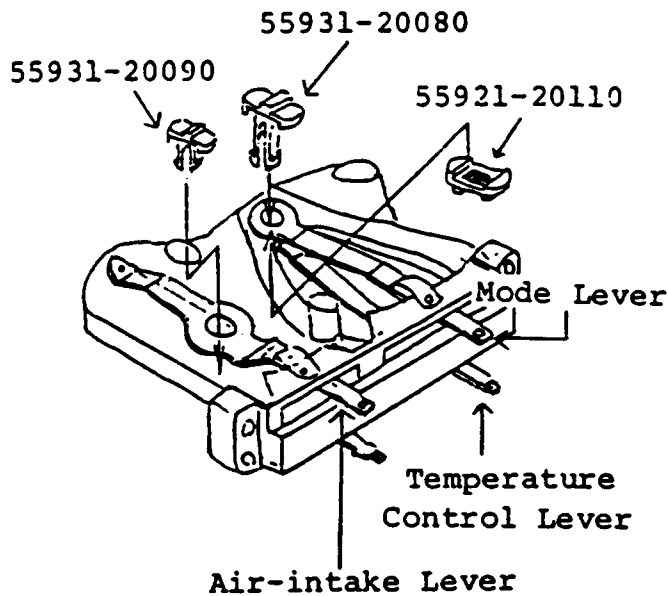
DATE 12-23-88

MODEL EL31,SV2#,FJ6#,RN5#,
6#, 7#, VZN61, VZN66




Page 1 of 1

LEVER TYPE HEATER CONTROLS

To facilitate repairs of lever type heater controls, parts have been made available to allow the repair of the heater control assemblies.



Lever Type Heater Control

Part No.	Part Name	Shape	Part Function
55931-20080	Shaft, Heater Control Lever		The fulcrum pin for ventilation mode and temperature control lever
55931-20090	Shaft, Heater Control Lever		The fulcrum pin for air-intake control lever
55921-20110	Retainer, Heater Control		Attachment for part no. 55931-20080