



TECHNICAL SERVICE BULLETIN

REF.: BODY
NO.: B091-024
DATE: DECEMBER 27, 1991
MODEL: FJ

LAND CRUISER ROOF RACK WHISTLING NOISE

Page 1 of 1

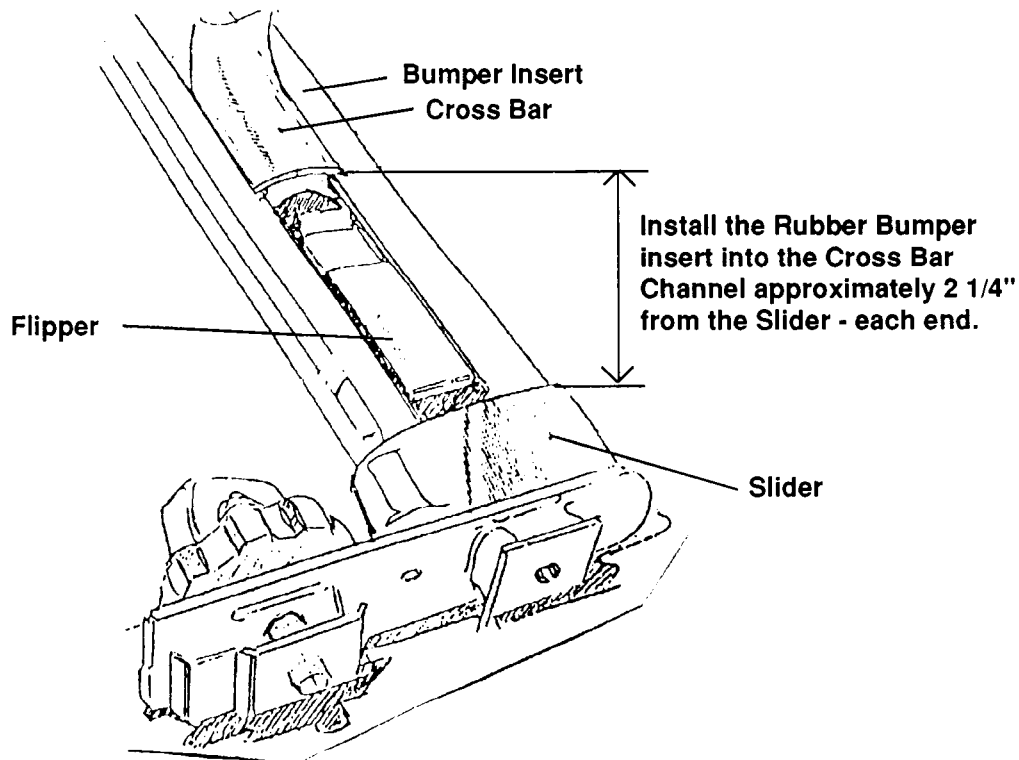
A whistling noise from the Land Cruiser accessory roof rack may be encountered at road speeds above 45 mph. If this condition occurs, install rubber bumpers into the channel of each cross bar.

Note: The rubber bumpers prevent air from swirling into and around the two (2) channels.

Some early style Land Cruiser roof rack kits may not include the additional rubber bumpers as part of the installation kit.

RUBBER BUMPERS INSTALLATION PROCEDURE:

Insert one (1) of the two (2) rubber bumpers (P/N 00278-00892) into the channel located at the rear of the cross bars by pressing the bumper legs into the cross bar grooves approximately 2 1/4" from the end of the slider (see illustration below for details).



TOYOTA MOTOR SALES U.S.A., INC.