



**Technical Service
BULLETIN**

January 9, 2007

Title:

INSIDE DOOR HANDLE CREAK

Models:

'07 FJ Cruiser



NV001-07
H/VH

Introduction Some customers may notice a creaking noise coming from the inner door handles when opening the front driver and passenger doors. The door handle assembly has been improved to correct this condition.

- Applicable Vehicles**
- **2007** model year **FJ Cruiser** vehicles produced **BEFORE** the Production Change Effective VINs shown below.

Production Change Information

MODEL	PRODUCTION CHANGE EFFECTIVE VIN
FJ Cruiser	JTEZU11F870007157
	JTEBU11F670043365

Parts Information

PREVIOUS PART NUMBER	CURRENT PART NUMBER	PART NAME	QTY
69205-35020-B0	Same	Handle Sub-Assembly, Door Inside RH	1
69206-35010-B0	Same	Handle Sub-Assembly, Door Inside LH	1

Warranty Information

OP CODE	DESCRIPTION	TIME	OFF	T1	T2
672251	R & R Front Door Inside Handle Assembly (One Side)	0.3	69205-35020-B0 69206-35010-B0	91	19

Applicable Warranty*:

This repair is covered under the Toyota Comprehensive Warranty. This warranty is in effect for 36 months or 36,000 miles, whichever occurs first, from the vehicle's in-service date.

* Warranty application is limited to correction of a problem based upon a customer's specific complaint.

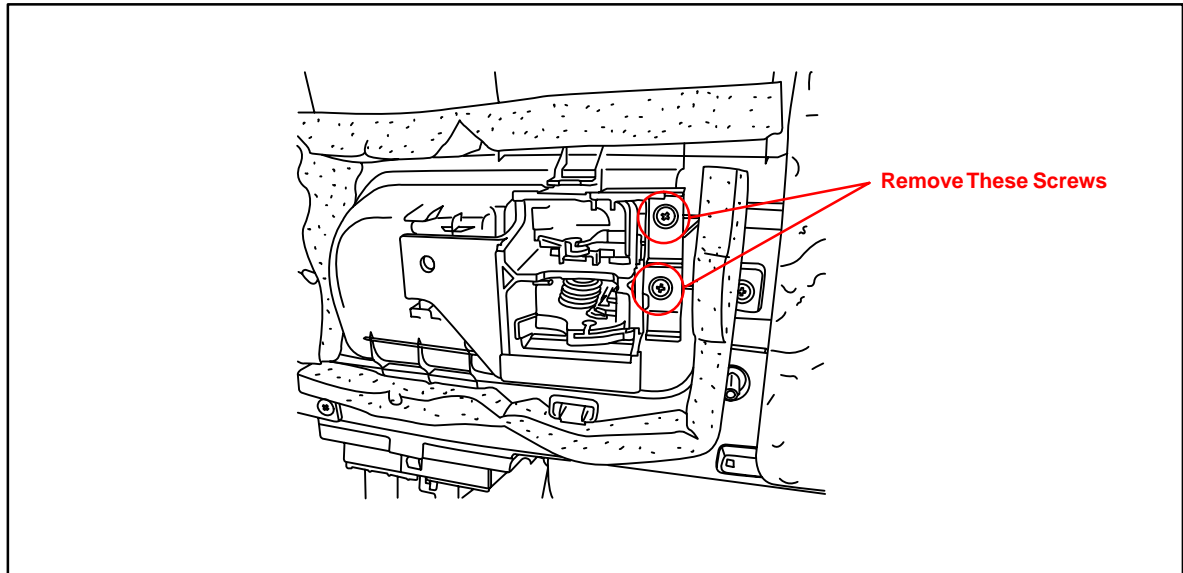


**Repair
Procedure**

1. Remove the front door panel.

Refer to the Technical Information System (TIS), 2007 model year FJ Cruiser Repair Manual, *Vehicle Exterior – Door/Hatch – “Engine Hood/Door: Front Door: Disassembly”*.

2. Remove the two screws and the inside door handle assembly.



3. Install the NEW inside door handle assembly in reverse order and reassemble the door panel.

NOTE:

Be sure to securely fasten the front door lock remote control cable and front door inside locking cable to the handle assembly before reassembly, as shown below.

