

# TOYOTA

## SERVICE BULLETIN

TOYOTA MOTOR SALES, U.S.A., INC.

VOLUME

# 10

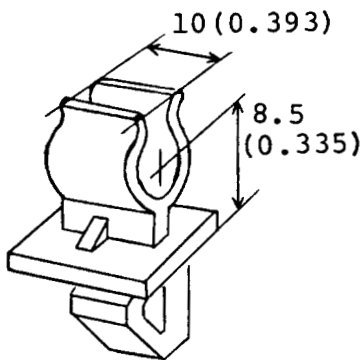
REFERENCE BODY  
NUMBER 044  
DATE 11-02-90  
MODEL '91 SW

Page 1 of 1

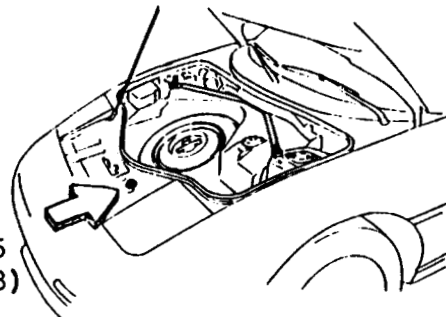
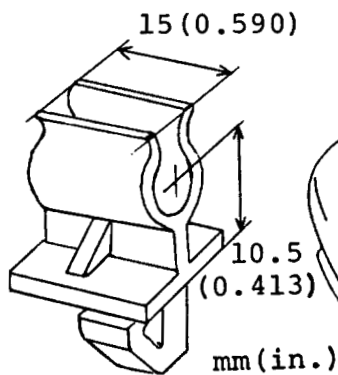
### HOOD STAY HOLDER

To increase the retention capability of the Front Hood Stay Holder, the shape has been changed as illustrated below.

#### PREVIOUS PART



#### NEW PART



#### PRODUCTION EFFECTIVE:

From Frame Number SW20-0016044  
SW21-0004753 (May, 1990)

#### PART NUMBER INFORMATION:

Prev. Part No.	New Part No.	Part Name
53452-17020	53452-17030	HOLDER, HOOD STAY