



**Technical Service
BULLETIN**

June 17, 2005

Title:

**FRONT TOWING EYELETS & EYELET
HOLE COVERS**

Models:

'06 Highlander

**PRE-DELIVERY SERVICE
PD034-05**

Introduction Please utilize the following procedures to remove the emergency towing eyelets and install the eyelet hole covers prior to customer delivery.

- Applicable Vehicles**
- 2006 model year **Highlander** vehicles.

**Warranty
Information**

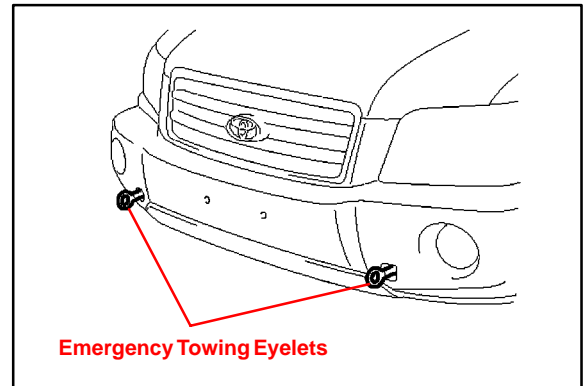
OP CODE	DESCRIPTION	TIME	OFF	T1	T2
N/A	Not Applicable to Warranty	-	-	-	-

**Repair
Procedure**

1. Remove the emergency towing eyelets from the front bumper by turning counterclockwise.

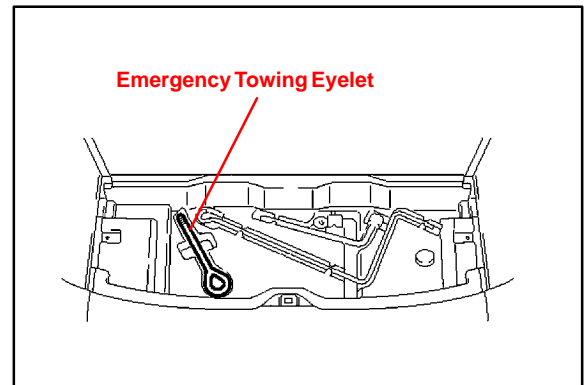
HINT:

If it is hard to loosen the emergency towing eyelets, use a steel bar.



2. Put one of the emergency towing eyelets on the left side of the storage tray in the luggage compartment.

Dispose of the other emergency towing eyelet.



**Repair
Procedure**
(Continued)

3. Install the front towing eyelet hole covers, which are stored in the glove box, onto the front bumper.

