



# Technical Service BULLETIN

April 25, 2003

Title:  
**FRONT SEATBACK UPPER SQUEAK**  
Models:  
**'03 4Runner**

# T S B

NVH  
NV004-03

**Introduction** Some customers may experience a squeak/creak noise from the front seats. The following procedures have been developed to reduce this noise.

**Applicable Vehicles**

- **2003** model year **4Runner** vehicles produced before the VINs shown below.

**Production Change Information**

MODEL	PLANT	STARTING VIN
4Runner	Tahara	JTEZU17R630002924
		JTEBU14RX30003063
		JTEZT14R630009217
		JTEBT17R230015254
	Hino	JTEZU14R938004916
		JTEBU14R738004740
		JTEZT14R338001321
		JTEBT17R738003392

**Warranty Information**

OP CODE	DESCRIPTION	TIME	OFF	T1	T2
NV1025	Loosen Seatback Cover and Re-install	0.7	71071-3G300-** 71071-3G380-*1 71072-35200-** 71072-35210-*1 71073-3G220-** 71073-3G280-*0 71073-3G420-*0 71073-3G440-*0 71074-35620-B2 71074-35640-*0	91	99
Combo A	Cut Felt to Size and Apply to Wire	0.1	71071-3G300-** 71071-3G380-*1 71072-35200-** 71072-35210-*1 71073-3G220-** 71073-3G280-*0 71073-3G420-*0 71073-3G440-*0 71074-35620-B2 71074-35640-*0		

**Applicable Warranty\*:**

**This repair is covered under the Toyota Comprehensive Warranty. This warranty is in effect for 36 months or 36,000 miles, whichever occurs first, from the vehicle's in-service date.**

\* Warranty application is limited to correction of a problem based upon a customer's specific complaint.

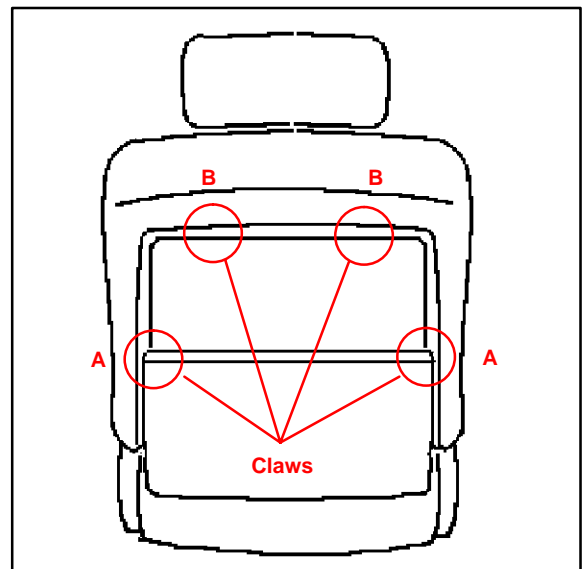
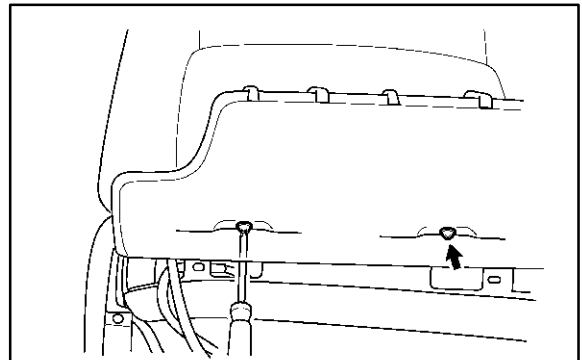
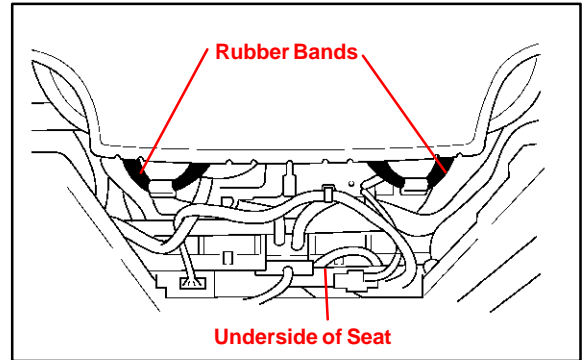


**Parts Information**

PREVIOUS PART NUMBER	CURRENT PART NUMBER	PART NAME	QTY
08231-00801	Same	Noise Kit	1
90468-16019	Same	Hog Rings (Fabric Seats Only, 2 per Seat)	5

**Repair Procedure:  
Leather Seat****Leather Seat**

1. Remove the four seat track covers and four seat track mounting bolts.
2. Remove the headrest assembly.
3. Tilt the seat forward.
4. Disconnect the two seatback board cover rubber bands from the hooks.
5. Lift up the seatback board cover, and remove the two front seatback board installation screws.
6. Temporarily reinstall the four seat track mounting bolts.
7. Remove the seatback board.
  - A. While pressing the board to the vehicle front side (push in on the seatback board), pull the seatback board toward the seat center in order to disconnect the two claws (A) on each of the side surfaces of the board.
  - B. While pressing the board toward the vehicle front side, pull it downward and disconnect the two claws (B) at the top of the board.

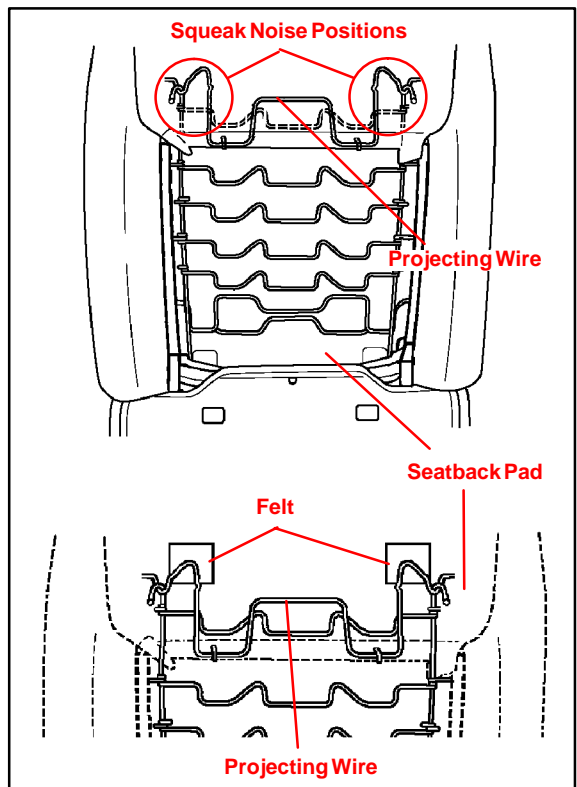


**Repair Procedure:**  
**Leather Seat**  
 (Continued)

8. Attach felt between the seatback pad and the projecting wires.

**Felt size:**  
**Length: 40 mm**  
**Width: 40 mm**  
**Thickness: 2 mm**

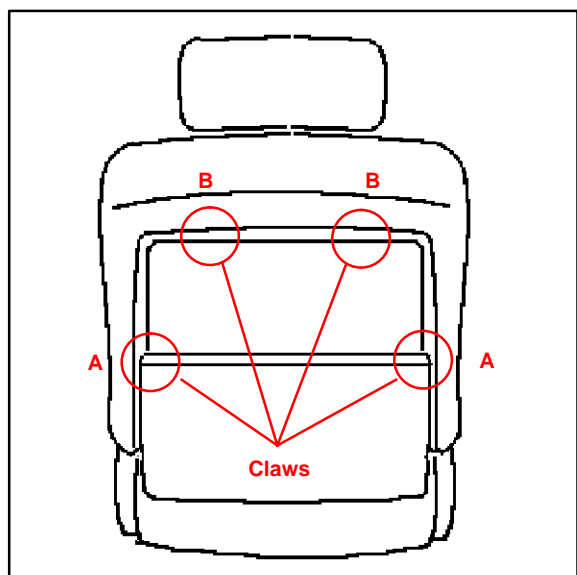
**NOTE:**  
 While pressing the seatback pad to the vehicle front side by hand and securing a space between the seatback pad and the projecting wires, securely attach a piece of felt on each side of the pad as shown in the illustration.



9. Re-install the seatback board in reverse order of 7A and 7B.

**NOTE:**

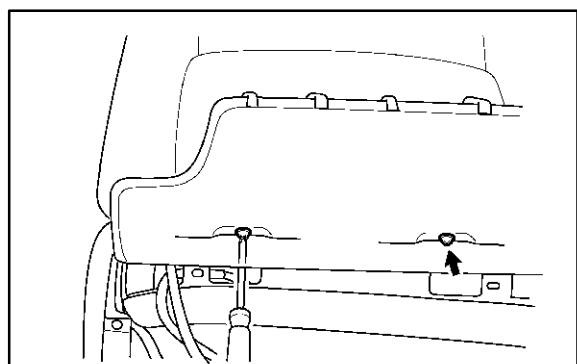
- There should be no wrinkles or gaps on the fitting surfaces.
- Be sure that the four claws are securely engaged.



10. Remove the four seat track mounting bolts.

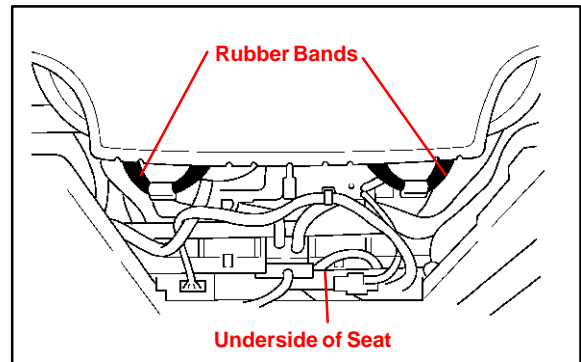
11. Turn up the front seatback board cover, then install the two front seatback board installation screws.

12. Lift up the seatback side of the seat.



**Repair Procedure:**  
**Leather Seat**  
(Continued)

13. Connect the two seatback board cover rubber bands to the hooks.
14. Install the four seat track mounting bolts.  
**Torque: 37 N-m (375 kgf-cm, 27 ft-lbf)**
15. Install the four seat track covers.
16. Install the headrest assembly.



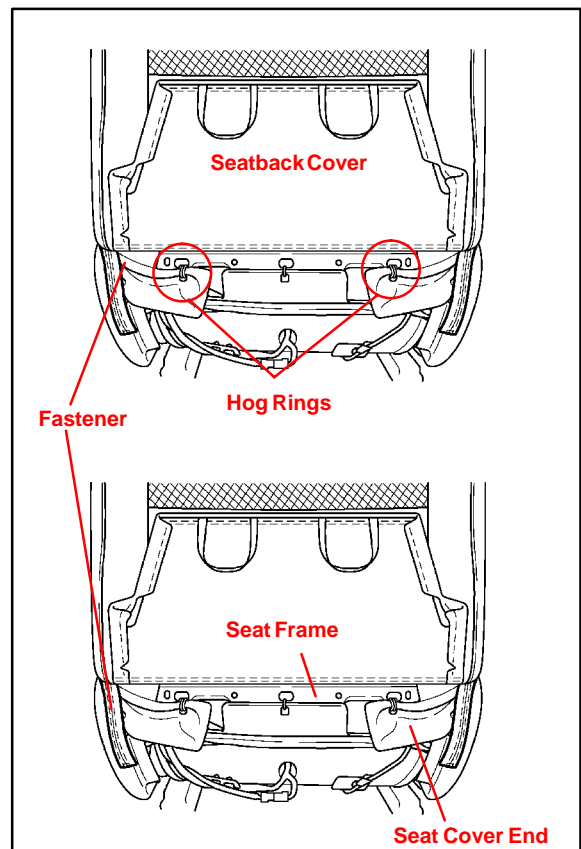
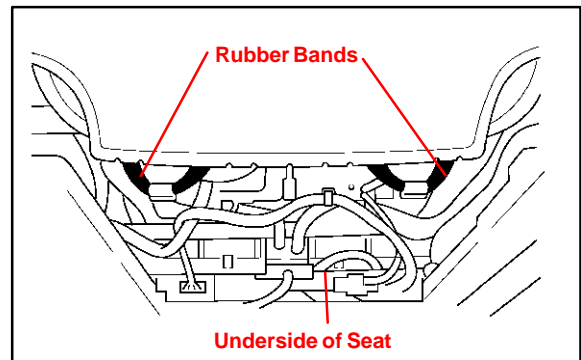
**Repair Procedure:**  
**Fabric Seat**

- Fabric Seat**
1. Remove the four seat track covers and four seat track mounting bolts.
  2. Remove the headrest assembly.
  3. Tilt the seat forward.
  4. Disconnect the two seatback board cover rubber bands from the hooks.
  5. Temporarily reinstall the four seat track mounting bolts.
  6. Lift up the seatback board cover, and pull the end of the seat fastener which is inserted between seat cover end and seat frame.

Unzip the seat fastener.

**NOTE:**

Early production vehicles may have two hog rings that secure the end of the seat fastener to the seat frame. In this case, remove these two hog rings.



**Repair Procedure:**  
**Fabric Seat**  
 (Continued)

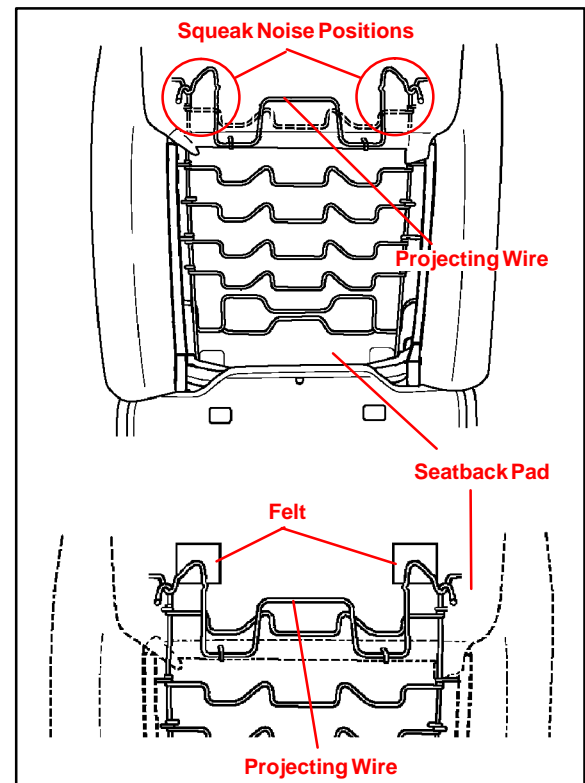
7. Attach felt between the seatback pad and the projecting wires.

**Felt size:**

**Length: 40 mm**  
**Width: 40 mm**  
**Thickness: 2 mm**

**NOTE:**

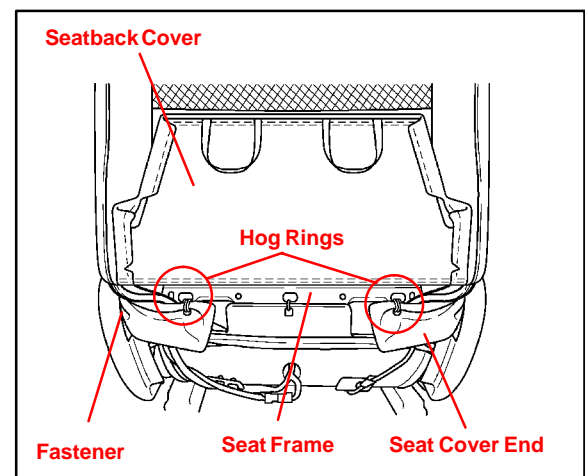
While pressing the seatback pad to the vehicle front side by hand and securing a space between the seatback pad and the projecting wires, securely attach a piece of felt on each side of the pad as shown in the illustration.



8. Zip the seat fastener, and insert the end of the seat fastener into the original position (space between seat cover end and seat frame).

**NOTE:**

- In case hog rings have been removed in step 6, attach the end of the seat fastener to the seat frame with new hog rings (hog rings are a non-reusable part).
- Be sure to use coated hog rings (P/N 90468-16019) to prevent any abnormal noise).



9. Remove the four seat track mounting bolts.
10. Lift up the seatback side of the seat.
11. Connect the two seatback board cover rubber bands to the hooks.
12. Install the four seat track mounting bolts.

**Torque: 37 N-m (375 kgf-cm, 27 ft-lbf)**

13. Install the four seat track covers.
14. Install the headrest assembly.

