



Technical Service BULLETIN

August 10, 2006

Title:

FRONT LICENSE PLATE INSTALLATION DURING PDS

Models:

'07 Highlander

PRE-DELIVERY SERVICE
PD078-06

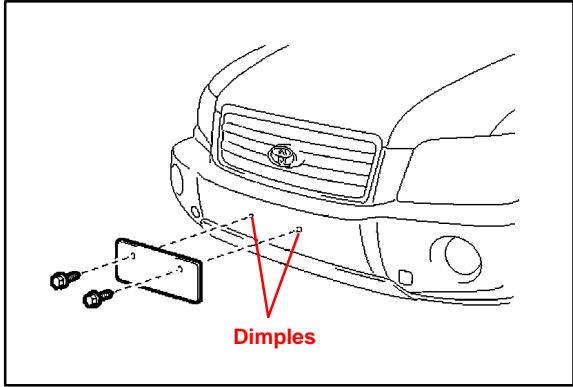
Introduction The following procedure is recommended for front license plate installation on 2007 model year Highlander vehicles.

Applicable Vehicles • 2007 model year **Highlander** vehicles.

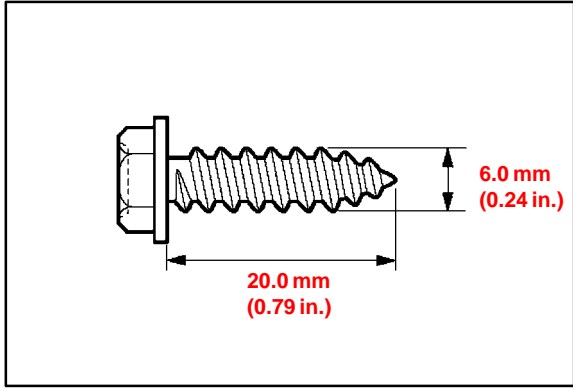
- Installation Procedure**
- Align the installation holes of the front license plate with the dimples of the front bumper.
 - Using two (2) self-tapping screws, install the front license plate on the front bumper.

HINT:

- Do NOT pre-drill holes in the dimples.
- Do NOT overtighten the self-tapping screws.



- Use self-tapping screws of a non-corroding type with the following size for installation of the front license plate.
Nominal Length: 20.0 mm (0.79 in.)
Diameter: 6.0 mm (0.24 in.)



Warranty Information

OP CODE	DESCRIPTION	TIME	OFP	T1	T2
N/A	Not Applicable to Warranty	-	-	-	-

