

**FRONT DOOR BELT MOLDING WIND NOISE**

Page 1 of 2

To prevent a high pitch wind flutter noise caused by air rushing between the front door belt molding and outer door skin area, foam-backed tape has been added to the back side of the molding.

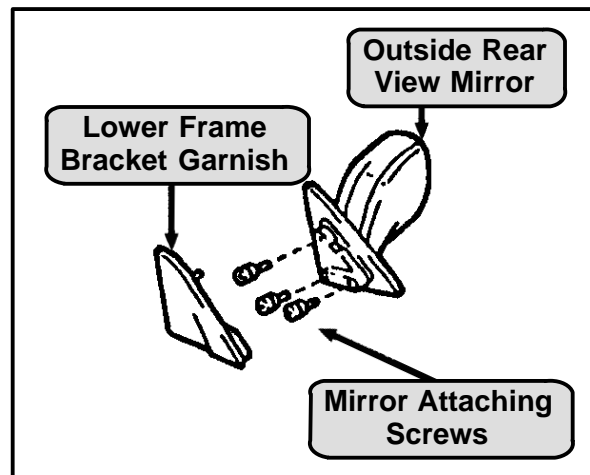
**PRODUCTION EFFECTIVE:**

Starting VIN: FZJ80-0119754

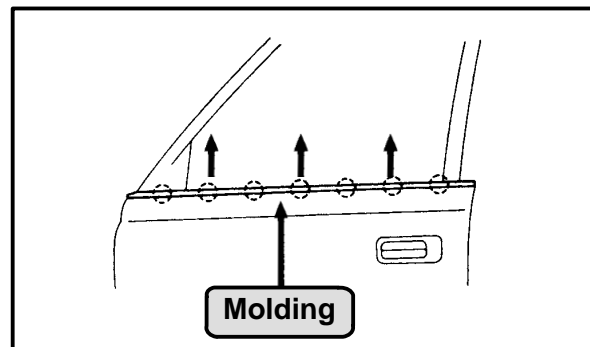
**FIELD-FIX METHOD:**

- Lower door glass to bottom of travel.
- Remove "Lower Frame Bracket Garnish" (triangular plastic screw cover plate located inside the vehicle at base of mirror).
- Remove the 3 mirror attaching screws and carefully pull mirror away from door frame.

**NOTE:** Wrap door mirror with a shop towel and carefully drape door mirror against door.



- Remove belt molding attaching screw (located at rear inside edge of door frame).
- Grasp molding with 2 hands and pull molding straight up using a swift upward motion.
- Use needle-nose pliers to remove plastic attaching clips that remained attached to metal door panel when molding was removed.



**FIELD-FIX METHOD (CONT'D):**

- Reinstall plastic attaching clips to back of belt molding.

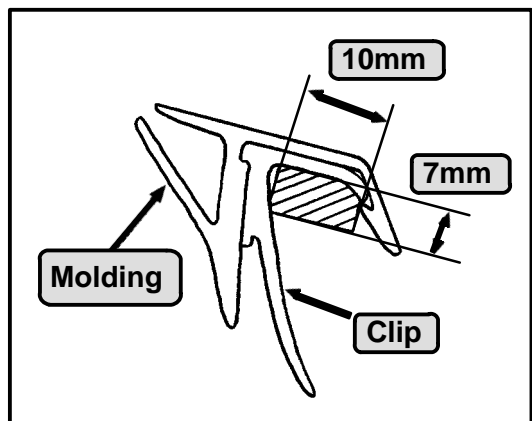
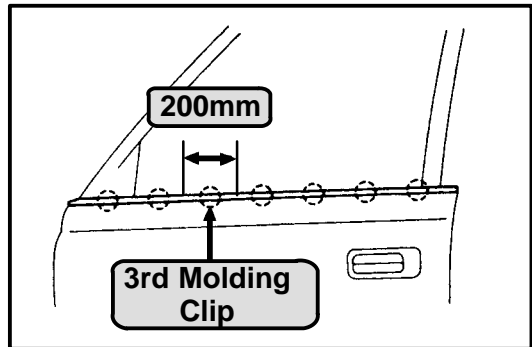
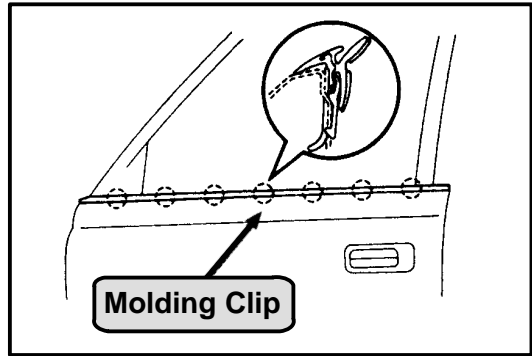
**NOTE:** Place clips in the factory location. Original location is easily determined by the small scratch marks left on the back side of the molding by the clips.

- Cover a work bench with a shop blanket and place the molding facedown on the blanket.

- **Center** and adhere a piece of foam backed tape (from the Toyota Squeak and Rattle Kit, P/N 08231-00801) to the back side of the molding, directly over the third clip (3rd clip counting from the front edge of the molding).

**NOTE:** Tape should be approximately 10 mm wide X 7 mm thick X 200 mm long.

- Reinstall belt molding (be sure that all attaching clips are properly lined-up with corresponding holes in the door panel before attempting to install the molding).
- Install screw at rear edge of belt molding.
- Install outside mirror to body with 3 attaching screws and snap lower frame bracket garnish (triangular plastic mirror base) back into place.
- Road test vehicle to confirm elimination of wind noise condition.



**WARRANTY INFORMATION: \***

OPCODE	DESCRIPTION	TIME	OPN	T1	T2
751371	R&R front door belt molding (one side) including adding foam backed tape	0.4	67111-602XX (RH) 67112-602XX (LH)	91	55

\* In the event that both front moldings require this procedure, use "Z" time for repair of opposite side. Please refer to the Toyota Warranty Policy and Procedures Manual, Policy 8-14 for additional details.

