

Front Brake Noise in Reverse

Service
Category Brake

Section Brake (front)

Market USA

Toyota Supports
ASE Certification 

Applicability

YEAR(S)	MODEL(S)	ADDITIONAL INFORMATION
2007 – 2008	FJ Cruiser	Drive Type(s): 4WD VDS(s): BU11F
2007 – 2008	FJ Cruiser	Drive Type(s): 2WD VDS(s): ZU11F

Introduction

Some customers may experience front brake noise when driving the vehicle in reverse and applying the brake pedal. The noise will typically occur when backing out of a parking space after the vehicle has been stopped for an extended period of time. Updated front brake rotors and brake pad shim grease are now available to improve this condition. Use the following repair procedures to address customer concerns.

Production Change Information

This TSB applies to vehicles produced **BEFORE** the Production Change Effective VINs shown below.

MODEL	DRIVETRAIN	PRODUCTION CHANGE EFFECTIVE VIN
FJ Cruiser	2WD	JTEZU11F#8K002419
	4WD	JTEBU11F#8K010718

Warranty Information

OP CODE	DESCRIPTION	TIME	OFF	T1	T2
BR8005	R & R Front Brake Pads & Rotors and Apply Grease to LH & RH Front Disc Brake Calipers (Both Sides) & LH & RH Front Brake Pads	2.0	43512-35321	91	99

APPLICABLE WARRANTY

- This repair is covered under the Toyota Comprehensive Warranty. This warranty is in effect for 36 months or 36,000 miles, whichever occurs first, from the vehicle's in-service date.
- Warranty application is limited to correction of a problem based upon a customer's specific complaint.

Front Brake Noise in Reverse

Parts Information

PREVIOUS PART NUMBER	CURRENT PART NUMBER	PART NAME	QTY
43512-35321	43512-35322	Disc, Front	2
47749-35040	Same	Clip, Pin Hold (Non-reusable Part)	4
08887-80609	Same	Disc Brake Grease	As needed

NOTE

All parts **MUST** be replaced as a set.

Repair Procedure

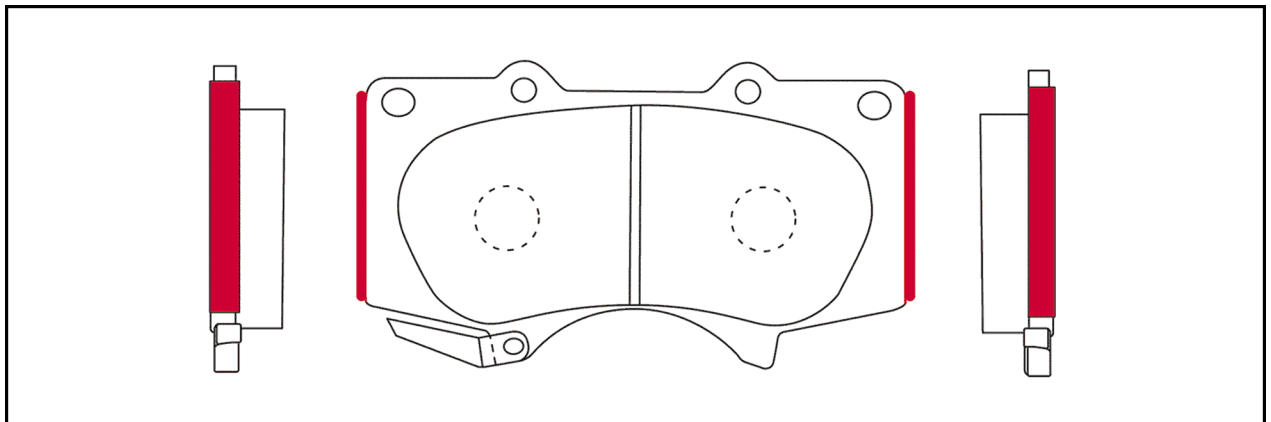
1. Conduct a road test to confirm the noise condition. The noise typically occurs when driving in reverse and applying the brake pedal.
2. Remove the front brake pads and front rotors.

Refer to the Technical Information System (TIS):

- [2007](#) or [2008](#) model year FJ Cruiser Repair Manual, *Brake – Brake (front) – “Brake: Front Brake: Removal”*.

3. Apply NEW grease on the brake pads as shown in red in Figure 1 below.

Figure 1.

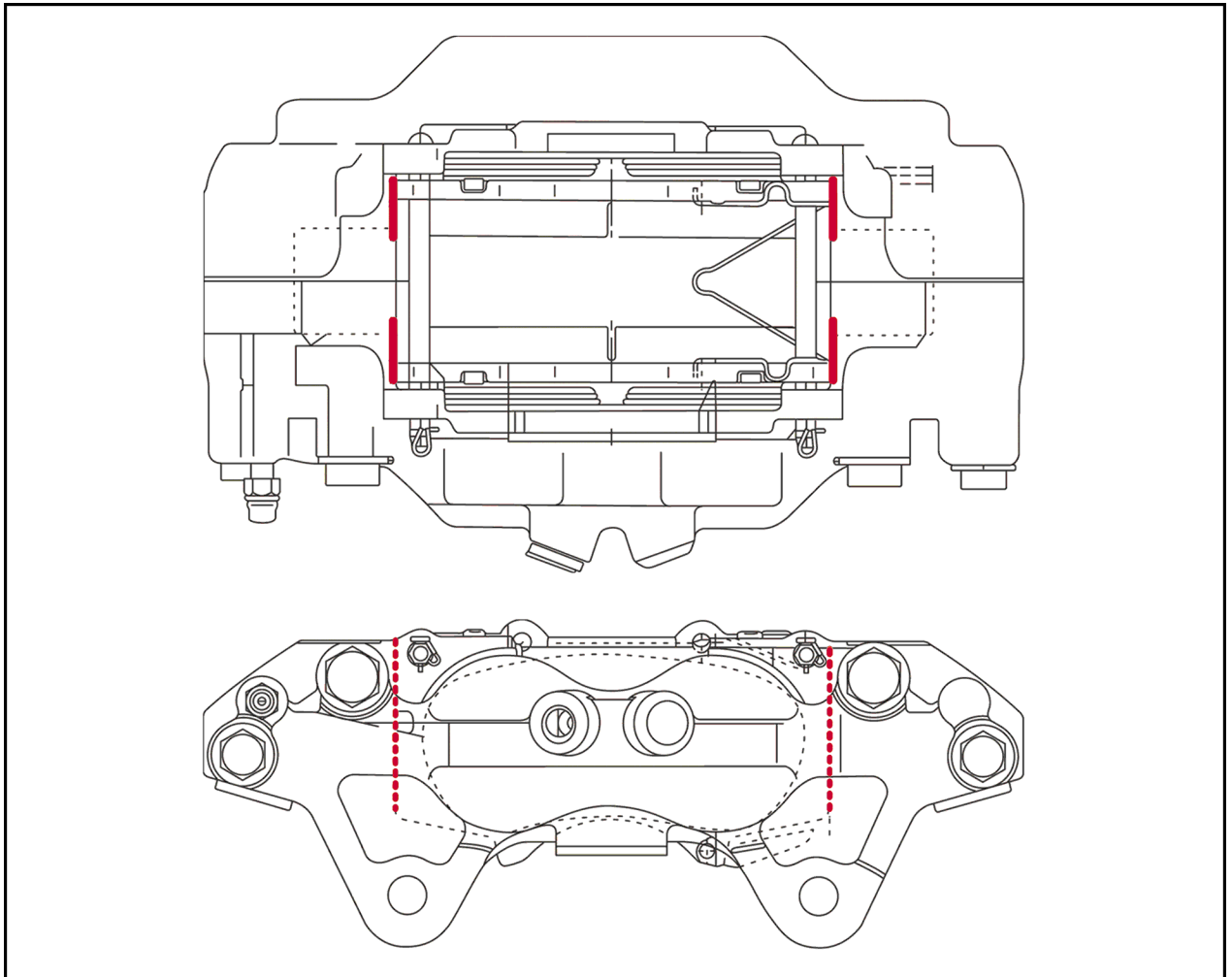


Front Brake Noise in Reverse

Repair Procedure (Continued)

4. Apply grease to the brake caliper as shown in red in Figure 2 below.

Figure 2.



5. Reuse the front brake pads and install the NEW front rotor.

Refer to TIS:

- [2007](#) or [2008](#) model year FJ Cruiser Repair Manual, *Brake – Brake (front) – “Brake: Front Brake: Removal”*.

6. Road test the vehicle to confirm the front brake noise is NO longer present.