

TOYOTA

SERVICE BULLETIN

TOYOTA MOTOR SALES, U.S.A., INC.

VOLUME

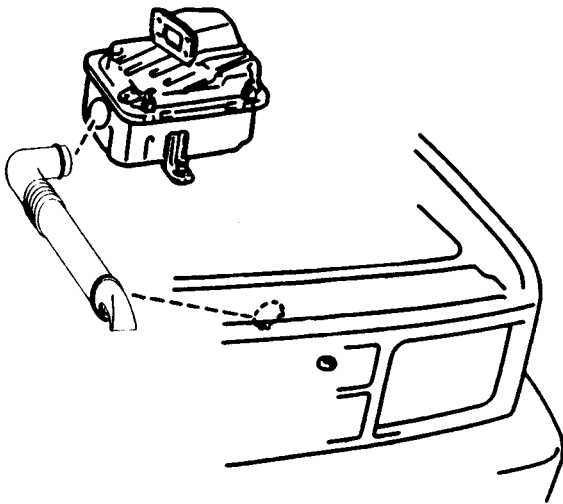
9

REFERENCE ENGINE _____
NUMBER 004 _____
DATE 06-12-87 _____
MODEL RN 4x4 (EFI) _____

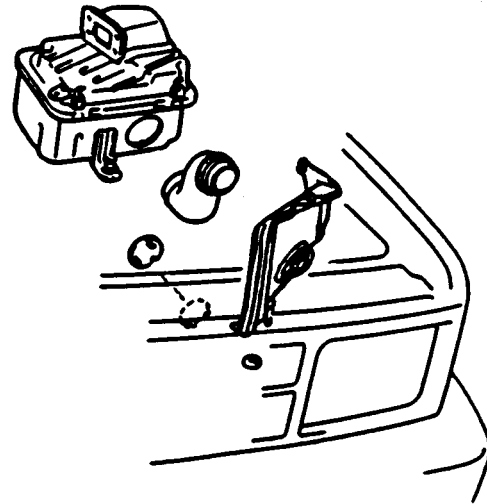
Page 1 of 4

FRESH AIR INTAKE - 22R-E AND 22R-TE

To minimize the possibility of ingestion of foreign materials, the fresh air intake nozzle has been relocated to a cool air box behind the left headlamp.



Previous



New

PRODUCTION EFFECTIVE: (E.F.I. Only)

<u>Model</u>	<u>From VIN</u>	<u>Production Date</u>
4-Runner	JT#RN6##H0145567	March 1987
4-Runner	JT#RN6##H5023940	March 1987
4x4 Truck	JT4RN6##H0015042	March 1987
4x4 Truck	JT4RN6##H5072336	March 1987

FRESH AIR INTAKE - 22R-E AND 22R-TE (Cont'd)

PART NUMBER INFORMATION:

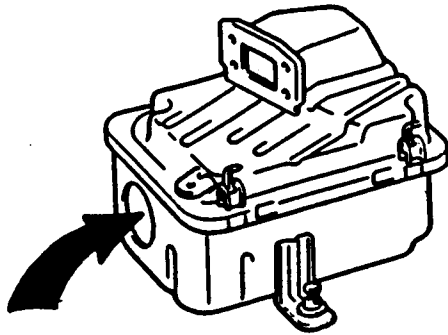
<u>Previous Part No.</u>	<u>New Part No.</u>	<u>Part Name</u>
17700-35170	17700-35300	Air Cleaner Assy, w/Element (EFI 22R-E)
17700-35240	17700-35310	Air Cleaner Assy, w/Element (Turbo 22R-TE)
—	*17701-35190	Case Sub Assy, Air Cleaner
17882-89107	discontinued	Hose, Air Cleaner (No. 2)
16470-35040	*16470-35050	Reserve Tank Assy, Radiator
—	*53207-89106	Duct Sub-Assy, Air Intake
—	*17882-89115	Hose, Cool Air Intake
—	*11444-89103	Plug, Core Support Hole
—	*90119-06098	Bolt, w/Washer

* Modification of previous production vehicles requires only these parts, which must be replaced as a set.

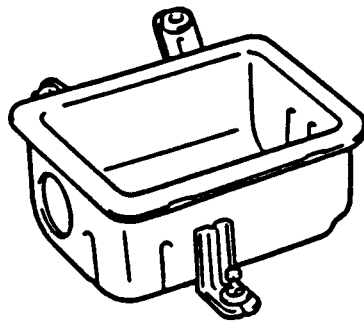
Note: Time to perform this procedure is estimated at 0.5 labor hours. The procedure is not required for proper vehicle operation, but if performed in conjunction with a warrantable engine repair, the additional 0.5 labor hours may be included as 'Z' time for the operation performed.

FRESH AIR INTAKE - 22R-E AND 22R-TE (Cont'd)

Previous



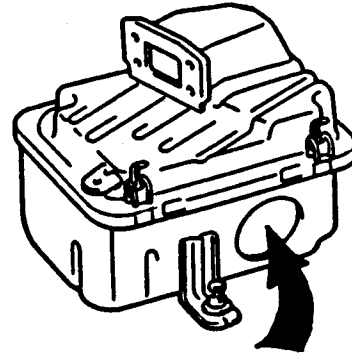
17700-35170
17700-35140



—

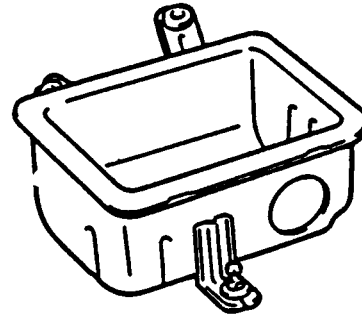
16470-35040
16470-71030

New



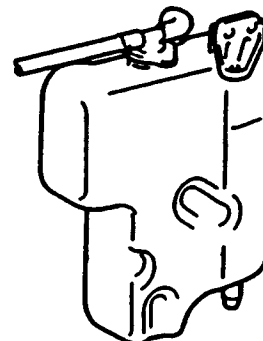
Air Cleaner
Assy.
w/ Element

17700-35300
17700-35310



Air Cleaner
Case
Sub-Assy.

17701-35190



Coolant
Recovery
Reservoir

16470-35050

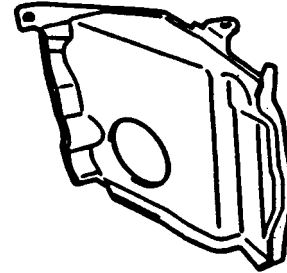
FRESH AIR INTAKE - 22R-E AND 22R-TE (Cont'd)

Previous

New

—

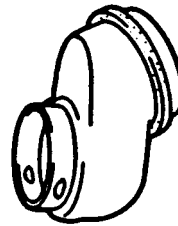
Air Intake
Duct Sub-Assy.



53207-89106

—

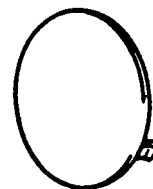
Intake
Hose



17882-89115

—

Core Support
Hole Plug



11444-89103