



TECHNICAL SERVICE BULLETIN

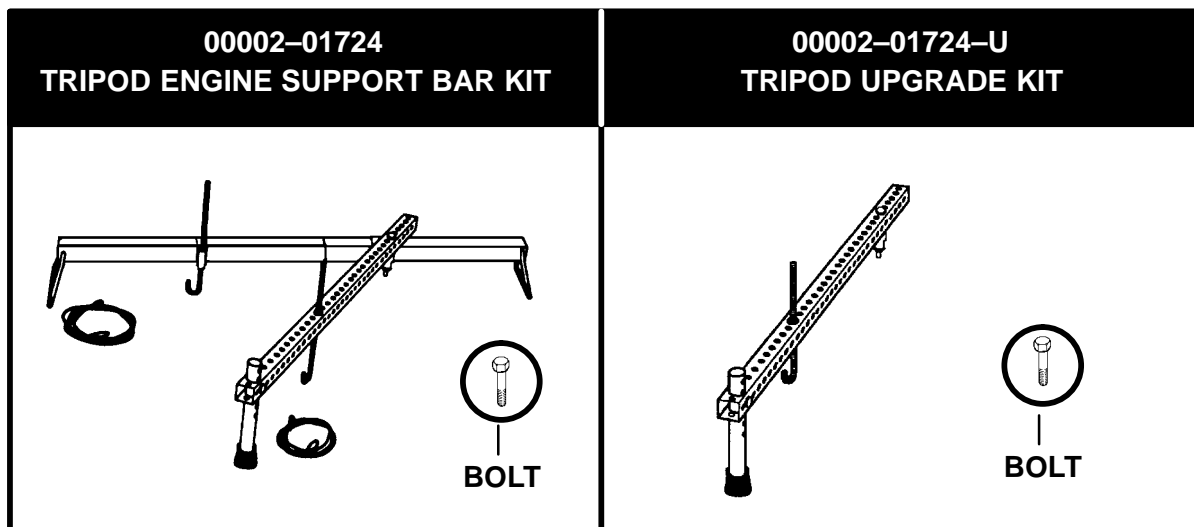
REF.: SPECIAL SERVICE TOOLS
 NO.: SS95-003
 DATE: OCTOBER 27, 1995
 MODEL: ALL MODELS

ENGINE SUPPORT BAR IMPROVEMENTS

Page 1 of 1

A new engine support bar, P/N 00002-01724, has been released by OTC. This new tripod design engine support bar, which is designed to support engine weight while transmission service is being performed, supersedes the current bipod engine support bar, P/N 00002-01722.

For dealers who currently own the 00002-01722 engine support bar, OTC has developed an upgrade kit, P/N 00002-01724-U which includes all necessary components and hardware to convert it to the new tripod design. **To avoid the potential for personal injury or property damage, do not use the existing engine support bar without the new upgrade kit.**



DEALER PRICING IS AS FOLLOWS:

AVAILABLE SST'S		
Tool Number	Tool Name	Price
00002-01724	Tripod Engine Support Bar Kit	\$165.35
00002-01724-U	Tripod Upgrade Kit	\$77.25

For more information and to order these Special Service Tools, please call OTC at 800-933-8335.