



**Technical Service
BULLETIN**

June 7, 2004

Title:

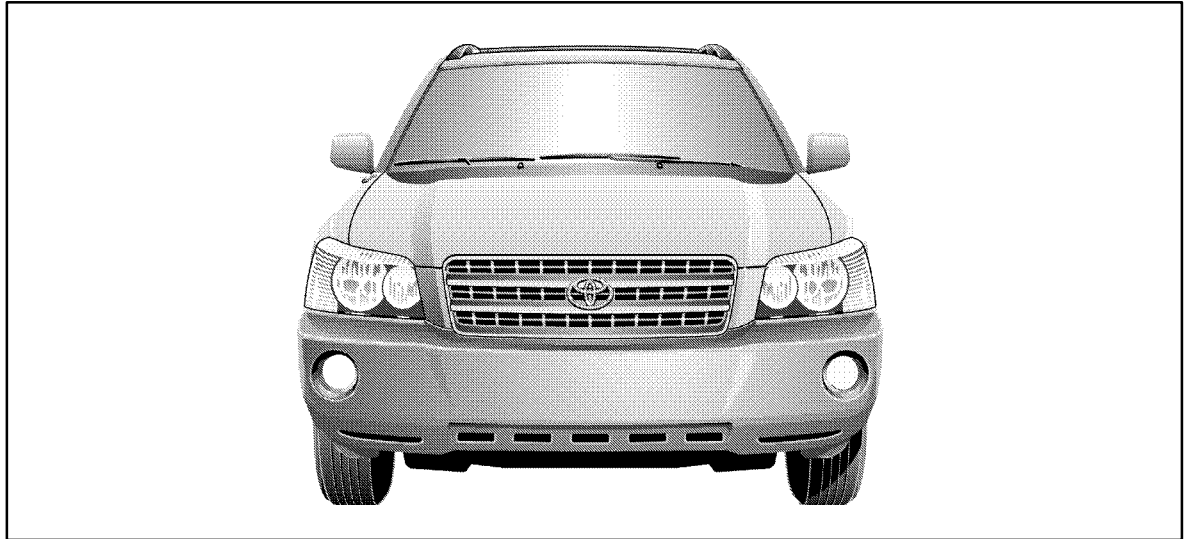
**ENGINE HOOD RELEASE CABLE
SPRING IMPROVEMENT**

Models:

'01 – '04 Highlander

BODY
BO011-04

Introduction To improve operation and feel, the engine hood release cable spring has been improved on 2001– 2004 model year Highlander vehicles.



Applicable Vehicles

- **2001 – 2004** model year **Highlander** vehicles produced **BEFORE** the Production Change Effective VINs shown below.

Production Change Information

MODEL	ENGINE	DRIVETRAIN	PRODUCTION CHANGE EFFECTIVE VIN
Highlander	6 Cylinder	2WD	JTEGP21A#40032374 JTEDP21A#40032375
		4WD	JTEHP21A#40045797 JTEEP21A#40045797
	4 Cylinder	2WD	JTEGD21A#40097092 JTEDD21A#40097094
		4WD	JTEHD21A#40031051

Warranty Information

OP CODE	DESCRIPTION	TIME	OFF	T1	T2
BD4005	R & R Engine Hood Release Cable Spring	0.3	90506–09053	9A	14

Applicable Warranty*:

This repair is covered under the Toyota Comprehensive Warranty. This warranty is in effect for 36 months or 36,000 miles, whichever occurs first, from the vehicle's in-service date.

* Warranty application is limited to correction of a problem based upon a customer's specific complaint.

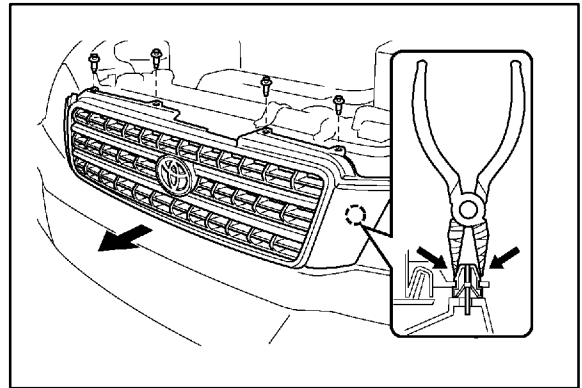


Parts
Information

PREVIOUS PART NUMBER	CURRENT PART NUMBER	PART NAME	QTY
90506-09053	90506-09055	Spring, Tension	1

Repair
Procedure

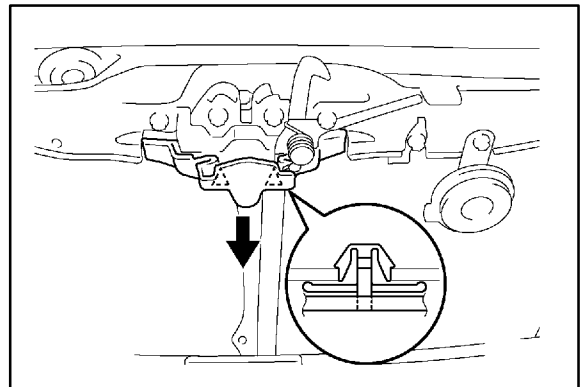
1. Remove radiator grille.
 - A. Remove the 4 clips from the top of the radiator grille.
 - B. Release the 2 side clips and remove the radiator grille.



2. Using a screwdriver, disengage the clips and remove the hood lock release lever cover.

HINT:

Tape the screwdriver tip before use.



3. Replace the engine hood release cable spring with the updated part (P/N 90506-09055).
4. Reinstall the hood lock release lever cover and radiator grille.

