



TECHNICAL SERVICE BULLETIN

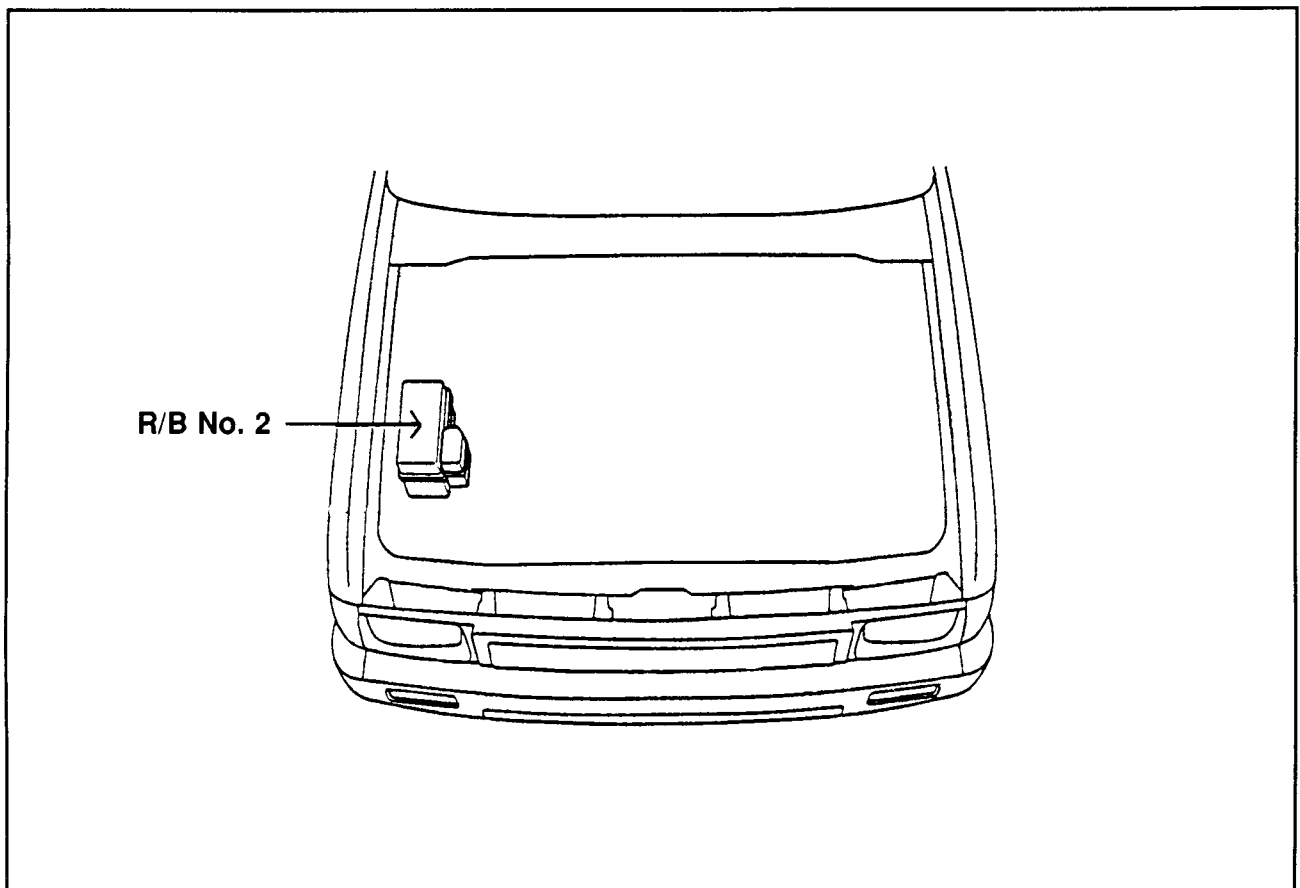
REF.: ELECTRICAL
NO.: EL91-006
DATE: SEPTEMBER 6, 1991
MODEL: 4RUNNER (VN/RN)

DOMESTIC FUSE INSTALLATION ON 1992 4RUNNER

Page 1 of 2

To reduce battery discharge during transportation and pre-delivery storage, 1992 4Runners will be delivered to the dealer with the dome fuse (15A) removed. The dome fuse must be installed during pre-delivery service.

The dome fuse is located in Relay Block #2 (next to the two spare fuses) on the right side of the engine compartment (refer to illustration for dome fuse location in the Relay Block).

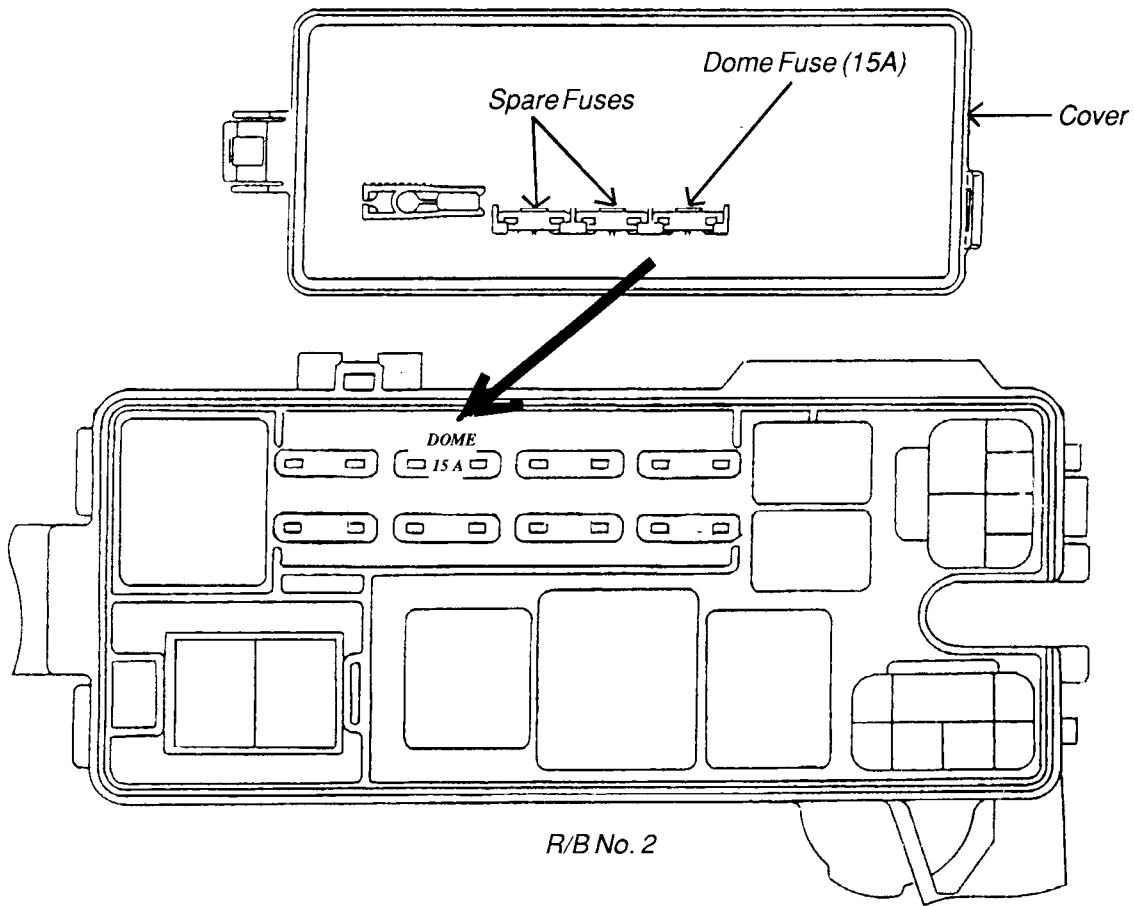


TOYOTA MOTOR SALES U.S.A., INC.

DOM FUSE INSTALLATION ON 1992 4RUNNER

EL91-006 2/2

R/B NO. 2 (ENGINE COMPARTMENT ON RIGHT SIDE):



The following accessories will not function if the Dome Fuse is not installed:

FUSE		Affected Electrical System
DOME	15A	Interior Lights
		Door Courtesy Light
		Radio
		Clock
		Ignition Key Confinement Prevention
		Warning Buzzer