

REF.: PRODUCT GENERAL INFORMATION

NO.: PG94-005

DATE: NOVEMBER 5, 1994

MODEL: ALL MODELS

DEALER REMOVAL PROCEDURES FOR RAPGARD™ PROTECTIVE FILM Page 1 of 2

Toyota vehicles are currently protected with a plastic film designed to protect the horizontal painted surfaces. This material protects from acid rain, environmental fallout and rail contamination.

The following procedures are to be used for the removal of the Rapgard™ protective film:

1. Wash vehicles using normal dealer procedures. This will remove any transportation dirt, grime or contamination and prevent scratches during the film removal process.

NOTE:

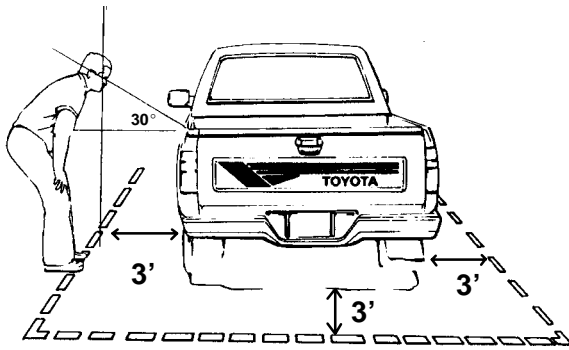
Cover all shirt buttons, jeans or pant rivets, belt buckles and watches to prevent scratching the paint surface while removing the material.

2. Begin removal of the Rapgard™ material from an “uplifted” or loose corner. Pull up and back in a quick motion.
3. Repeat #2 above for all of the covered panels.
- 3A. Dispose of the Rapgard™ plastic film per the direction of the TMS Logistics Operations Department using the preprinted UPS labels provided to your dealership.

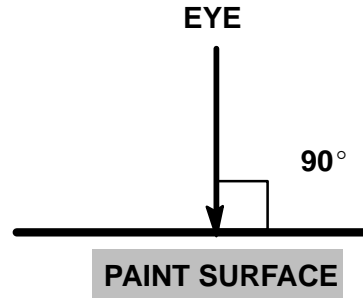
ADDITIONAL LABELS ARE AVAILABLE FROM YOUR REGION OR AREA DISTRIBUTION MANAGER.

- Inspect vehicle inside building under a fluorescent light for adhesive transfer or residue.

NOTE: Use the “3’ 30° ANGLE” method of inspection and the “STRAIGHT ON 90° PERPENDICULAR” method of inspection illustrated below.



3’ 30° ANGLE



STRAIGHT ON 90° PERPENDICULAR

Clean-up of residue is most expeditiously accomplished by using isopropyl alcohol.

- Inspect vehicle for paint stepping or swelling. If this condition is noted, expose vehicle to direct sunlight for 30 minutes to 1 hour to alleviate this condition. No further repair should be required. If vehicle has this condition and is required for immediate sale, a heat source such as IN-FRARED LIGHT, may be used to speed up the process.
- Reinspect vehicle after #4 and #5 above. If customer acceptable, sell vehicle. If not, repeat #4 and/or #5 above.
- The Rapgard material **MUST** be removed within 90 days from initial application. The TDN RAPGARD™ REMOVAL INDICATOR will appear on your “G CATEGORY STOCK REPORT” as a “G/*” and will remain there for approximately one week. The RAPGARD™ REMOVAL INDICATOR will only appear while vehicles are in the “G” category. Vehicles in “H” category are assumed to have had the Rapgard™ removed.
- Report any problems with removal of the plastic film or damage to the vehicle caused by the application or presence of the material to your District Service Manager.

