

# Automatic Transmission Serial Number Locations

**Service Category** Drivetrain

**Section** Automatic Transmission/Transaxle

**Market** USA

Toyota Supports  
 ASE Certification 

## Applicability

YEAR(S)	MODEL(S)	ADDITIONAL INFORMATION
2006 – 2009	4Runner, Avalon, Camry, Corolla, FJ Cruiser, Highlander, Land Cruiser, Matrix, RAV4, Sequoia, Sienna, Solara, Tacoma, Tundra, Venza, Yaris	

### TSB SUPERSESSION NOTICE

The information contained in this TSB supersedes TSB No. TC012-06.

- Applicability has been updated to include 2008 – 2009 model year vehicles.

**TSB No. TC012-06 is Obsolete and any printed versions should be discarded. Be sure to review the entire content of this service bulletin before proceeding.**

## Introduction

The purpose of this TSB is to assist in the identification and location of serial numbers on 2006 – 2009 model year automatic transmissions.

## Automatic Transmission Serial Number Locations

---

### Introduction (Continued)

#### NOTE

- When writing a Field Technical and/or Product Report, the serial number **MUST** be provided.
- Warranty policy requires shipment of **ALL** replaced transmissions to AWTEC, even if the transmission is replaced with a new service unit.
- Warranty policy requires the Core Return Credit Request (CRCR) form be filled out correctly and returned with the core.
- Per Toyota Warranty Policy & Procedures [“Policy 4.23: Remanufactured Automatic Transmission Replacement”](#):
  - Whenever a remanufactured or OEM automatic transmission is replaced, the serial number of the failed component must be entered in the “Transmission Serial Number” field, which can be found on the “Additional Information” tab of the warranty claim.
  - If any non-hybrid OE or remanufactured automatic transaxles/transmissions and/or torque converters inadvertently appear on the Scrap Report, or if the Part Recovery Request Screen “Scrap Field” indicates “Y”, **DO NOT SCRAP THESE PARTS**. All OE and remanufactured automatic transaxles/transmissions and torque converters are still required to be shipped to AWTEC for remanufacture.

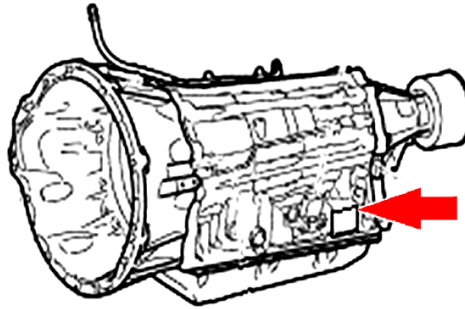
### Warranty Information

OP CODE	DESCRIPTION	TIME	OFP	T1	T2
N/A	Not Applicable to Warranty	–	–	–	–

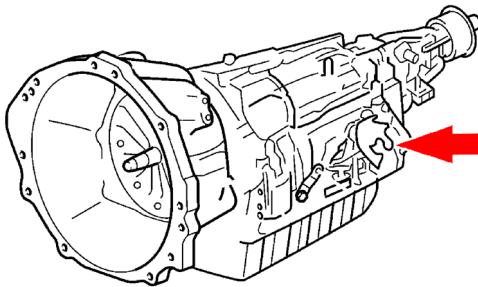
## Automatic Transmission Serial Number Locations

### Engine/Transmission Reference

TRANSMISSION MODEL	MODEL	MODEL YEAR	ENGINE	SERIAL NUMBER
AB60E/F	Land Cruiser	2008 – 2009	3UR	<b>Example: 08 B T J 00001</b> <b>08:</b> Year of Manufacture <b>B:</b> Month of Manufacture (A - M, "I" not used) <b>T:</b> Plant Code <b>J:</b> Line Code <b>00001:</b> 5-Digit Serial Number <b>Location:</b> Left Rear section of the Transmission Case Above the Transmission Pan (as shown below)
	Sequoia			
	Tundra	2007 – 2009		



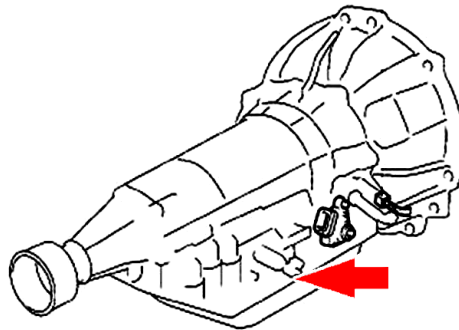
TRANSMISSION MODEL	MODEL	MODEL YEAR	ENGINE	SERIAL NUMBER
A750E/F	4Runner	2006 – 2009	1GR 2UZ	<b>Example: 06 A T 2 00001</b> <b>06:</b> Year of Manufacture <b>A:</b> Month of Manufacture (A - M, "I" not used) <b>T:</b> Transmission Model Code <b>2:</b> Plant Code <b>00001:</b> 5-Digit Serial Number <b>Location:</b> Left Rear Section of the Transmission Case Above the Transmission Pan (as shown below)
	FJ Cruiser	2007 – 2009	1GR	
	Land Cruiser	2006 – 2007	2UZ	
	Sequoia	2006 – 2009	2UZ	
	Tacoma	2006 – 2009	1GR	
	Tundra	2006 – 2009	1GR 2UZ	



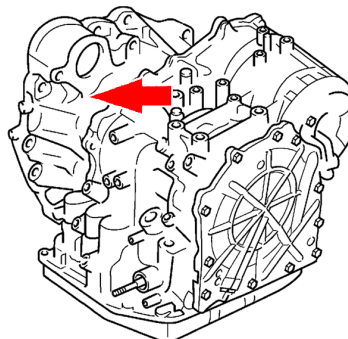
## Automatic Transmission Serial Number Locations

### Engine/Transmission Reference (Continued)

TRANSMISSION MODEL	MODEL	MODEL YEAR	ENGINE	SERIAL NUMBER
A340E	Tacoma	2006 – 2009	2TR	<b>Example: 07 J R 7 00001</b> <b>07:</b> Year of Manufacture <b>J:</b> Month of Manufacture (A - M, "I" not used) <b>R:</b> Model Code <b>7:</b> Line Code <b>00001:</b> 5-Digit Serial Number <b>Location:</b> Right Rear Section of the Transmission Case Above the Transmission Pan (as shown below)



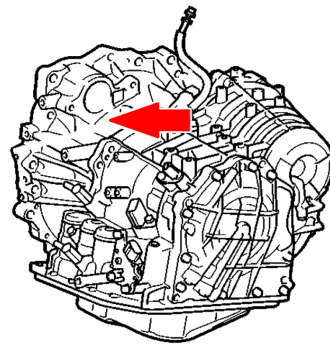
TRANSMISSION MODEL	MODEL	MODEL YEAR	ENGINE	SERIAL NUMBER
U14##	Highlander	2006 – 2007	2AZ	<b>Example: 06 A Y 0 00001</b> <b>06:</b> Year of Manufacture <b>A:</b> Month of Manufacture (A - M, "I" not used) <b>Y:</b> Transmission Model Code <b>0:</b> Plant Code <b>00001:</b> 5-Digit Serial Number <b>Location:</b> Slightly Off Center to the Left on Top of Bell Housing of Transmission (as shown below)
	RAV4	2006 – 2009		
	Matrix	2009	2AZ	



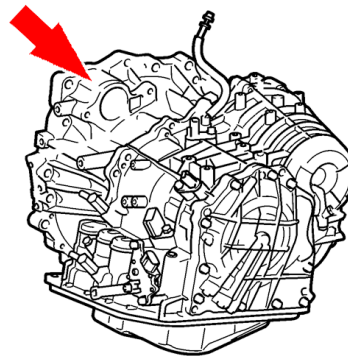
## Automatic Transmission Serial Number Locations

### Engine/Transmission Reference (Continued)

TRANSMISSION MODEL	MODEL	MODEL YEAR	ENGINE	SERIAL NUMBER
U15## (Japan Built)	Camry	2006	1MZ 3MZ	<b>Example: 07 H D 2 00001</b> <b>07:</b> Year of Manufacture <b>H:</b> Month of Manufacture (A - M, "I" not used) <b>D:</b> Transmission Model Code <b>2:</b> Plant Code <b>00001:</b> 5-Digit Serial Number <b>Location:</b> Slightly Off Center to the Left on Top of Bell Housing of Transmission (as shown below)
	Highlander	2006 – 2007	3MZ	
		2008 – 2009	2GR	
RAV4	2006 – 2009	2GR		



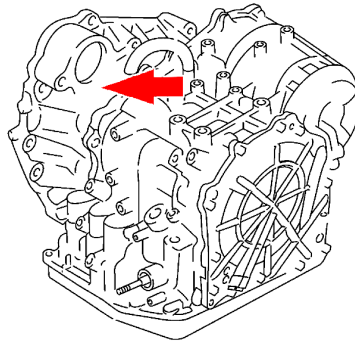
TRANSMISSION MODEL	MODEL	MODEL YEAR	ENGINE	SERIAL NUMBER
U15## (TMMWV Built)	Avalon	2006 – 2007	2GR	<b>Example: 5 6 01 00001</b> <b>5:</b> Plant Code (TMMWV) <b>6:</b> Year of Manufacture <b>01:</b> Month of Manufacture <b>00001:</b> 5-Digit Serial Number <b>Location:</b> Slightly Off Center to the Left on Top of Bell Housing of Transmission (as shown below)
	Camry	2006	1MZ 3MZ	
	Highlander	2008 – 2009	2GR	
	Sienna	2006	3MZ	
		2007 – 2009	2GR	
Solara	2006 – 2008	3MZ		



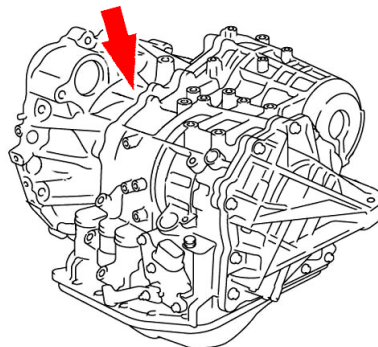
## Automatic Transmission Serial Number Locations

### Engine/Transmission Reference (Continued)

TRANSMISSION MODEL	MODEL	MODEL YEAR	ENGINE	SERIAL NUMBER
U24##	Highlander	2006 – 2007	2AZ	<b>Example: 06 A Y 0 00001</b> <b>06:</b> Year of Manufacture <b>A:</b> Month of Manufacture (A - M, "I" not used) <b>Y:</b> Transmission Model Code <b>0:</b> Plant Code <b>00001:</b> 5-Digit Serial Number <b>Location:</b> Slightly Off Center to the Left on Top of Bell Housing of Transmission (as shown below)
	RAV4	2006 – 2009		



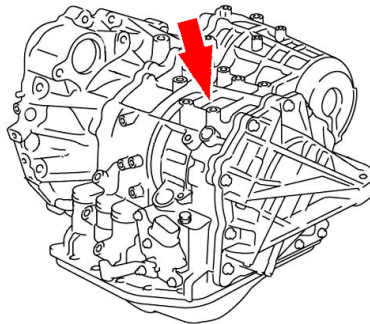
TRANSMISSION MODEL	MODEL	MODEL YEAR	ENGINE	SERIAL NUMBER
U250E	Camry	2006 – 2009	2AZ	<b>Example: K 06 09 00001</b> <b>K:</b> Plant Code (K or T) <b>06:</b> Year of Manufacture <b>09:</b> Month of Manufacture <b>00001:</b> 5-Digit Serial Number <b>Location:</b> Center of Transmission Case Behind Bell Housing Near Vent Hose (as shown below)
	Corolla	2009		
	Matrix			
	Solara	2006 – 2008		



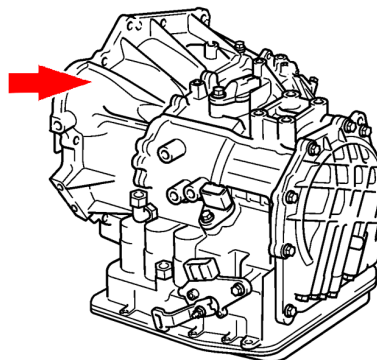
## Automatic Transmission Serial Number Locations

### Engine/Transmission Reference (Continued)

TRANSMISSION MODEL	MODEL	MODEL YEAR	ENGINE	SERIAL NUMBER
U250E	Camry	2008 – 2009	2AZ	<b>Example: 08 A D 2 00001</b> <b>08:</b> Year of Manufacture <b>A:</b> Month of Manufacture (A - M, "I" not used) <b>D:</b> Plant Code <b>2:</b> Line Code <b>00001:</b> 5-Digit Serial Number <b>Location:</b> Center of Transmission Case Towards the Rear (as shown below)



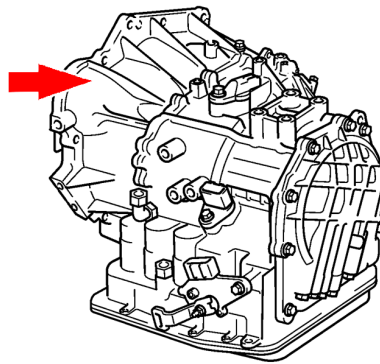
TRANSMISSION MODEL	MODEL	MODEL YEAR	ENGINE	SERIAL NUMBER
U34##	Matrix AWD	2006	1ZZ	<b>Example: 6 F 00001</b> <b>6:</b> Year of Manufacture <b>A:</b> Month of Manufacture (A - M, "I" not used) <b>00001:</b> 5-Digit Serial Number <b>Location:</b> Left side of Transmission Bell Housing Roughly 3/4 Up (as shown below)



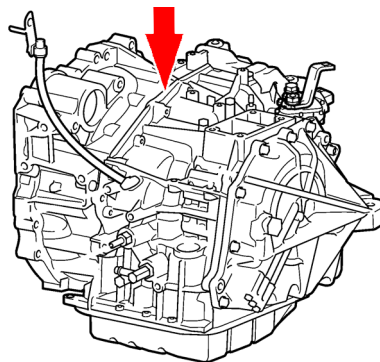
## Automatic Transmission Serial Number Locations

### Engine/Transmission Reference (Continued)

TRANSMISSION MODEL	MODEL	MODEL YEAR	ENGINE	SERIAL NUMBER
U34##	Corolla	2009	2ZR	<b>Example: 7 A E0001</b> 7: Year of Manufacture A: Month of Manufacture (A – C or 1 – 9) E0001: 5-Digit Alpha-Numeric Serial Number <b>Location:</b> Left side of Transmission Bell Housing Roughly 3/4 Up (as shown below)
	Matrix			
	Yaris	2007 – 2009	1NZ	



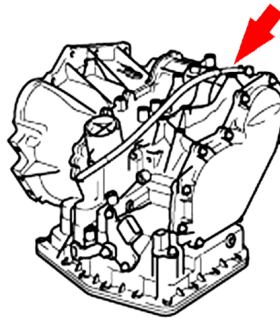
TRANSMISSION MODEL	MODEL	MODEL YEAR	ENGINE	SERIAL NUMBER
U660#	Avalon	2008 – 2009	2GR	<b>Example: 2A 07 C 1 00001</b> 2: Plant ID A: Unit ID 07: Year of Manufacture C: Month of Manufacture 1: Plant Line Number 00001: 5-Digit Serial Number <b>Location:</b> Top of Bell Housing Towards Front of Transmission — Serial Number will be Stamped in Transmission Case (as shown below)
	Camry	2007 – 2009		
	Venza	2009		



## Automatic Transmission Serial Number Locations

### Engine/Transmission Reference (Continued)

TRANSMISSION MODEL	MODEL	MODEL YEAR	ENGINE	SERIAL NUMBER
A24##	Corolla	2006 – 2008	1ZZ	<b>Example: 06 M Z T 00001</b> <b>06:</b> Year of Manufacture <b>M:</b> Month of Manufacture (A - M, "I" not used) <b>Z:</b> Plant Code <b>T:</b> Line Code <b>00001:</b> 5-Digit Serial Number <b>Location:</b> Top Section of Transmission Case Near Vent Tube Transmission Pan (as shown below)
	Matrix			



TRANSMISSION MODEL	MODEL	MODEL YEAR	ENGINE	SERIAL NUMBER
U760	Venza	2009	1AR	<b>Example: 2 0 T 08 C 00001</b> <b>2:</b> Plant ID <b>0:</b> Unit ID <b>T:</b> Line Code <b>08:</b> Year of Manufacture <b>C:</b> Month of Manufacture <b>00001:</b> 5-Digit Serial Number <b>Location:</b> Top of Bell Housing Towards Front of Transmission — Serial Number will be Stamped in Transmission Case (as shown below)

