



TOYOTA Technical Service BULLETIN

February 22, 2002

Title: **ASHTRAY INSTALLATION**

Models:
'03 Corolla & Matrix

T S B

AX001-02
ACCESSORIES

Introduction For the 2003 model year Corolla and Matrix vehicles, the ashtray will no longer be a standard accessory. This bulletin outlines the dealer installation procedure for the accessory ashtray.

- Applicable Vehicles**
- **2003** model year **Corolla and Matrix** vehicles.

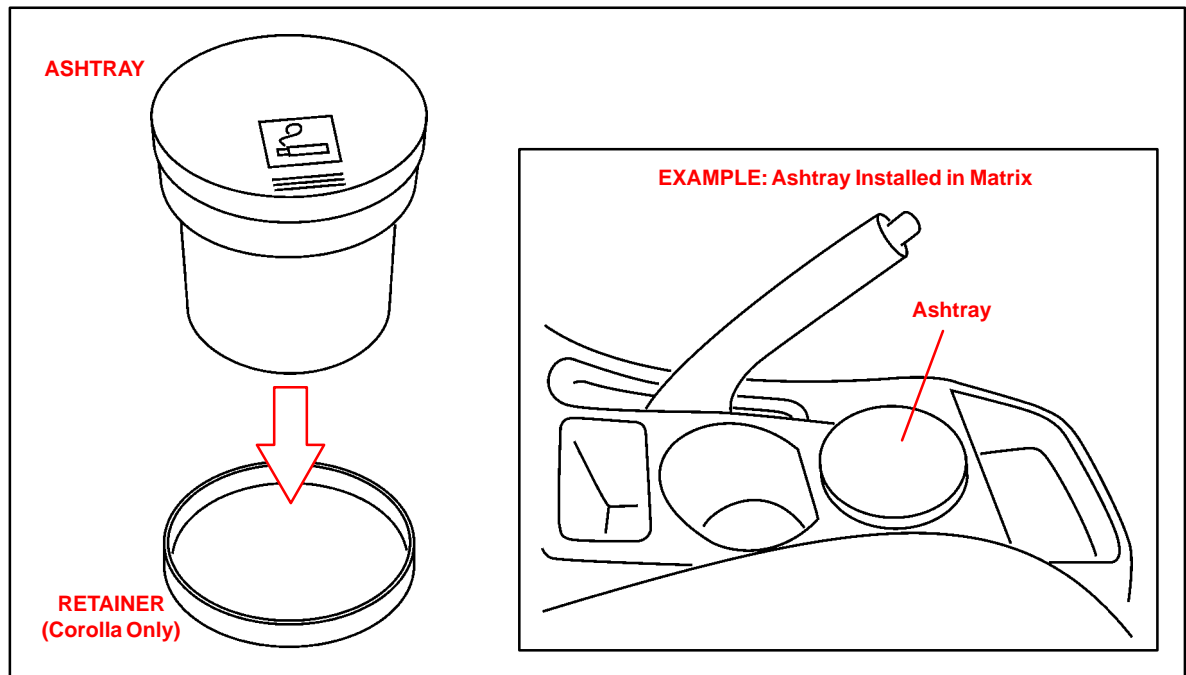
Parts Information

PREVIOUS PART NUMBER	CURRENT PART NUMBER	PART NAME	QTY
N/A	74102-02140	Ashtray	1
	74128-02020	Retainer (Corolla only)	1

Installation Procedure

Corolla: Insert retainer into the front cup holder. Insert ashtray into retainer.

Matrix: Insert ashtray into the front cup holder as shown below. (Installation in the rear cup holder will not allow ashtray lid to fully open.)



Warranty Information

OP CODE	DESCRIPTION	TIME	OPN	T1	T2
N/A	Not Applicable to Warranty	-	-	-	-

