

# Alignment Pin Installation during Transmission/Transaxle Assembly Installation

**Service Category** Drivetrain

**Section** Automatic Transmission/Transaxle

**Market** USA

Toyota Supports  
 ASE Certification 

## Applicability

YEAR(S)	MODEL(S)	ADDITIONAL INFORMATION
1990 – 2009	4Runner, Avalon, Camry, Camry HV, Celica, Corolla, Cressida, Echo, FJ Cruiser, Highlander, Highlander HV, Land Cruiser, MR2, MR2 Spyder, Matrix, Paseo, Pickup, Previa, Prius, RAV4, RAV4 EV, Sequoia, Sienna, Solara, Supra, T100, Tacoma, Tercel, Tundra, Yaris	

## Introduction

The purpose of this TSB is to provide information regarding the installation of alignment pins during transmission/transaxle assembly installation. Missing alignment pins may result in incorrect alignment and failure of the transmission/transaxle assembly. Use the information below when installing a transmission/transaxle assembly.

## Parts Information

PREVIOUS PART NUMBER	CURRENT PART NUMBER	PART NAME	QTY
90250-10113	Same	Straight Pin	2

## Warranty Information

OP CODE	DESCRIPTION	TIME	OFF	T1	T2
N/A	Not Applicable to Warranty	–	–	–	–

## Alignment Pin Installation during Transmission/Transaxle Assembly Installation

---

### Repair Procedure

1. Inspect the rear side of the engine block assembly for 2 alignment pins.
  - If there are less than 2 alignment pins present, one may have been removed with the transmission/transaxle assembly. Check the removed assembly for the missing alignment pins. Go to step 2.
  - If there are 2 alignment pins present, the transmission/transaxle assembly may be installed following the applicable Repair Manual procedure.

**NOTE**

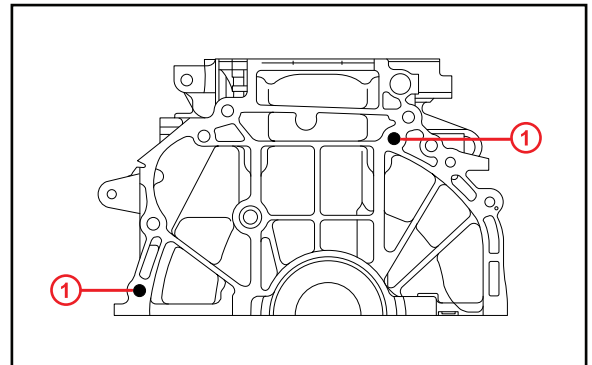
A missing alignment pin may result in failure of the transmission/transaxle assembly.

2. Install the missing alignment pin(s).
  - Refer to the applicable Repair Manual procedure for location of the cylinder block rear side alignment pins.

**NOTE**

In the Repair Manual, the alignment pin is referred to as a "straight pin."

Figure 1. Example: 2007 model year Camry 2AZ-FE Rear Side



<b>1</b>	<b>Alignment Pin</b>
----------	----------------------