



**Technical Service
BULLETIN**

November 23, 2004

Title:

**ACCESSORY FOG LIGHT
REPLACEMENT**

Models:

'99 – '02 4Runner

T S B

**AX010-04
ACCESSORIES**

Introduction The accessory fog lights for 1999 – 2002 model year 4Runner vehicles may become corroded and not function. The lights should be replaced as a pair.

- Applicable Vehicles**
- **1999 – 2002** model year **4Runner** vehicles equipped with **accessory fog lights**.

**Parts
Information**

PREVIOUS PART NUMBER	CURRENT PART NUMBER	PART NAME	QTY
PT297-89014	81210-35050	Fog Light (RH)	1
	81220-35030	Fog Light (LH)	1

**Required
Tools &
Material**

TOOLS & MATERIAL	QUANTITY
Basic Hand Tools	As needed

**Warranty
Information**

OP CODE	DESCRIPTION	TIME	OFF	T1	T2
AX4003	R & R Fog Light Assembly, Two Sides	0.5	PT297-89014	99	99

Applicable Warranty*:

This repair is covered under the Toyota Comprehensive Warranty. This warranty is in effect for 36 months or 36,000 miles, whichever occurs first, from the vehicle's in-service date.

* Warranty application is limited to correction of a problem based upon a customer's specific complaint.

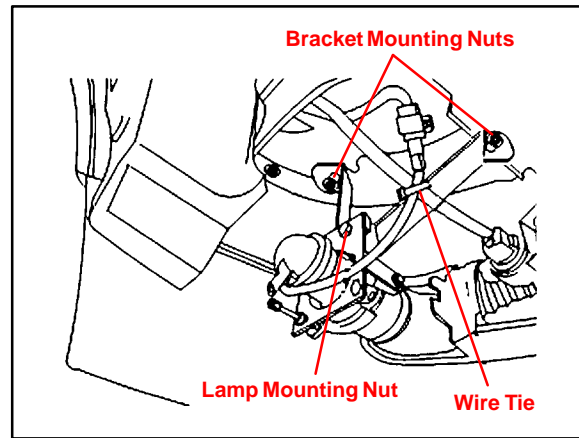


Repair Procedure

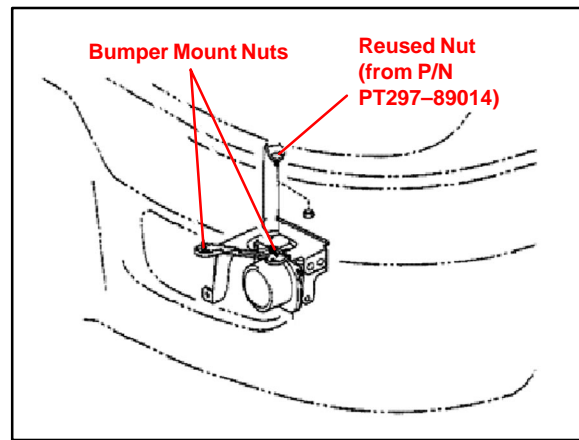
1. Remove fog lights (P/N PT297–89014) from both sides of the car.
 - A. Cut wire tie and disconnect the harness at the connector.
 - B. Remove lamp mounting nut.
 - C. Remove two (2) bracket mounting nuts.

NOTE:

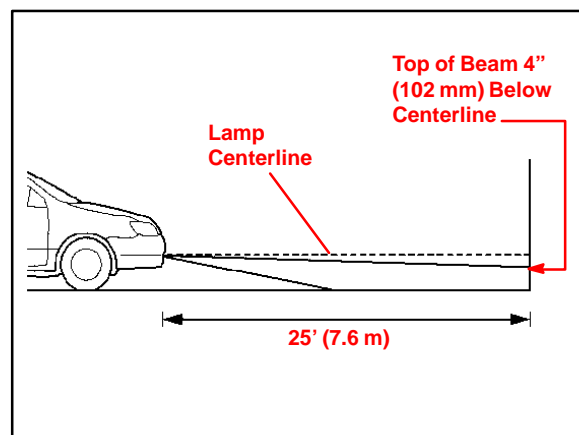
The nuts will be reused. Do not discard.



2. Install new fog lights (P/N 81210–35050 and 81220–35030).
 - A. Remove two (2) vehicle bumper mount nuts and attach fog light.
 - B. Reuse one nut from P/N PT297–89014 to mount the upper bracket to the bumper.
 - C. Make sure the fog light is centered within the fascia opening.
 - D. Connect wire harness.
 - E. Test fog lights to confirm function.



3. Aim fog lights.
 - A. Position vehicle on flat surface at a distance of 25 feet (7.6 m) from the fog light to the wall.
 - B. Measure the distance from the center of the lamp to the ground and mark off the same height on the wall. This is your fog light centerline.
 - C. Adjust the fog lights by turning the adjustment screw using a Phillips screwdriver.

**HINT:**

When looking at the back of the light, the optical aim moves upward when turning the screwdriver clockwise, and downward when turning the screwdriver counterclockwise.

- D. Turn on the fog lights and adjust them so that the top of the beam (high intensity portion) falls 4 inches (102 mm) below the top mark on the wall (fog light centerline).