



# Technical Service BULLETIN

September 8, 2004

Title:

## ACCESSORY DRIVE BELT SQUEAL/ BELT TENSIONER RATTLE

Models:

'01 – '04 Camry, Highlander, Solara & '04 RAV4

ENGINE  
EG040-04

**Introduction** Some 2001 – 2004 model year Camry, Highlander, Solara and 2004 model year RAV4 vehicles with the 2AZ-FE engine may exhibit squealing and/or rattling noises coming from the engine compartment during vehicle operation especially after a cold soak. The belt tensioner assembly has been improved to correct this condition.

**Applicable Vehicles**

- **2001 – 2004** model year **Camry, Highlander** and **Solara** vehicles equipped with **2AZ-FE engines** produced **BEFORE** the Production Change Effective VINs shown below.
- **2004** model year **RAV4** vehicles produced **BEFORE** the Production Change Effective VINs shown below.

**Production Change Information**

MODEL	ENGINE	LINE	PRODUCTION CHANGE EFFECTIVE VIN
Camry	2AZ-FE	TMMK Line 1	4T1BE3#K#4U358206
		TMMK Line 2	4T1BE3#K#4U914052
Tsutsumi		JTDBE3#K#40296732	
Highlander		TMK	JTE#D2#A#40100501
Solara		TMMK	4T1CE3#P#4U914074
RAV4		Tahara	JTE#D2#V#40029797

**Parts Information**

PREVIOUS PART NUMBER	CURRENT PART NUMBER	PART NAME	QTY
16620-28010	16620-28011	Tensioner Assembly, V-ribbed Belt	1

**Warranty Information**

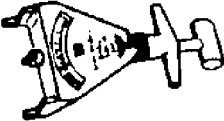

OP CODE	DESCRIPTION	TIME	OFF	T1	T2
EG8001	R & R Accessory Belt Tensioner	0.9	16620-28010	91	55

**Applicable Warranty\*:**

This repair is covered under the Toyota Comprehensive Warranty. This warranty is in effect for 36 months or 36,000 miles, whichever occurs first, from the vehicle's in-service date.

\* Warranty application is limited to correction of a problem based upon a customer's specific complaint.



Required SSTs	SPECIAL SERVICE TOOLS (SSTs)	PART NUMBER	QUANTITY
	Belt Tension Gauge (or equivalent) 	09216-00021	1
	Torque Wrench Adaptor (or equivalent) 	09249-63010	1

**NOTE:**

**Additional SSTs may be ordered by calling SPX/OTC at 1-800-933-8335.**

**Repair Procedure**

1. Remove the accessory drive belt per the instructions contained in the Technical Information System (TIS), applicable model year, applicable model Repair Manual: *Engine Mechanical: Drive Belt (2AZ-FE)*.
2. Remove and replace the Accessory Belt Tensioner per the instructions contained in TIS, applicable model year, applicable model Repair Manual: *Engine Mechanical: Partial Engine Assembly (2AZ-FE)*.
3. Replace the accessory drive belt per the instructions contained in TIS, applicable model year, applicable model Repair Manual: *Engine Mechanical: Drive Belt (2AZ-FE)*.