



# Technical Service BULLETIN

November 20, 1998

Title:

## 5VZ OXYGEN SENSOR IMPROVEMENT

Models:

'96-'99 4Runner

# T S B

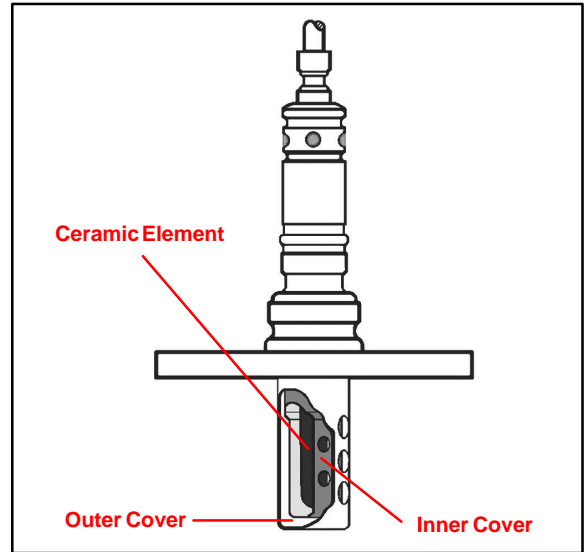
ENGINE  
EG012-98

**Introduction** The design of the 5VZ Oxygen Sensor inner cover has been changed to reduce the possibility of moisture contacting the ceramic element.

**Affected Vehicles**

- **1996–1999** model year **4Runners** built **before** the VINs listed below.

MODEL	STARTING VIN
4Runner	JT3GN8 * R * X0098603
	JT3HN8 * R * X0204805
	JT3HN8 * R * X9021414



**Repair Procedure** Please refer to the appropriate repair manual for diagnostic and installation information for the Oxygen Sensor.

### Part Number Information

OLD PART NUMBER	NEW PART NUMBER	PART NAME	MODEL APPLICATIONS	
89465-39835	89465-80034	O <sub>2</sub> Sensor	4Runner	VZN18# .. ATM
89465-39895	89465-80035	O <sub>2</sub> Sensor	4Runner	VZN185 .. MTM

### Warranty Information

OP CODE	DESCRIPTION	TIME	OPN	T1	T2
895131	R & R Front Oxygen Sensor	0.6	89465-398#5	72	16

#### Applicable Warranty\*:

This repair is covered under the Toyota Basic Warranty. This warranty is in effect for 36 months or 36,000 miles, whichever occurs first, from the vehicle's in-service date. Coverage is extended to 36 months or 50,000 miles, whichever occurs first, in the states of California and Massachusetts due to state emissions warranty legislation.

\* Warranty application is limited to correction of a problem based upon a customer's specific complaint.

