



# Technical Service BULLETIN

February 27, 1998

## Title: 4RUNNER BACK DOOR LOCK OPERATION

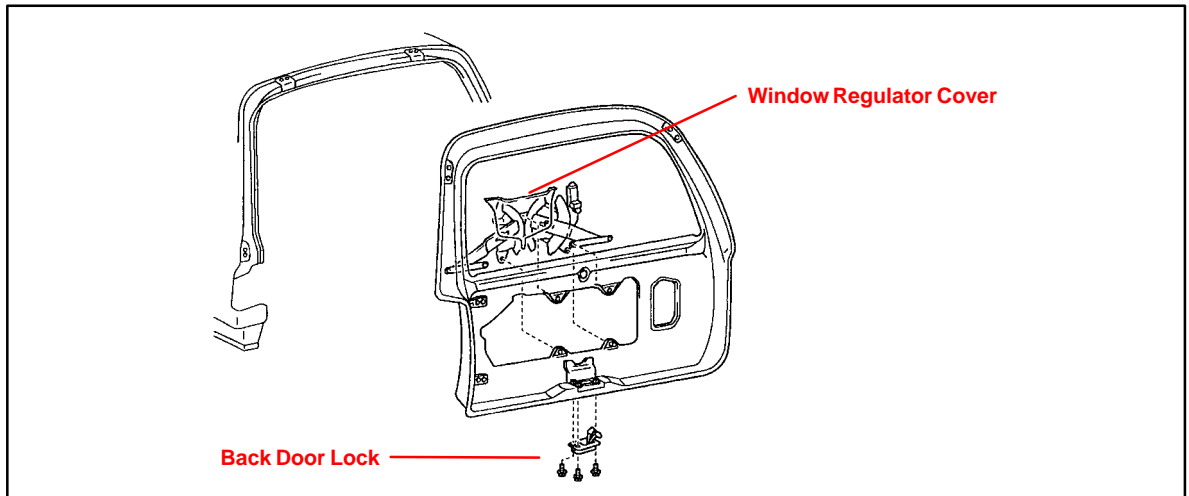
Models: '96 - '97 4Runner

BODY  
B0004-98

**Introduction** The back door lock mechanism for 1996 and 1997 4Runners has been modified as follows:

- The shape of the window regulator cover has been changed to prevent water from dripping into the back door lock assembly.
- The shape of the back door lock assembly rubber boot has been modified.
- A vinyl cover has been added to the back door lock assembly.

This field-fix requires the upgrade/replacement of the door window regulator cover and the back door lock assembly.



**Affected Vehicles** • 1996 and 1997 4Runners.

### Parts Information

| PREVIOUS PART NUMBER | CURRENT PART NUMBER | PART NAME                    |
|----------------------|---------------------|------------------------------|
| 69855-35020          | 69855-35021         | Cover, Door Window Regulator |
| 69350-35010          | 69350-35010         | Lock Assembly, Back Door     |

### Warranty Information

| OP CODE | DESCRIPTION                 | TIME | OPN         | T1 | T2 |
|---------|-----------------------------|------|-------------|----|----|
| BD8002  | R&R Back Door Lock Assembly | 1.2  | 69350-35010 | 95 | 57 |

#### Applicable Warranty\*\*:

This repair is covered under the Toyota Basic Warranty. This warranty is in effect for 36 months or 36,000 miles, whichever occurs first, from the vehicle's in-service date.

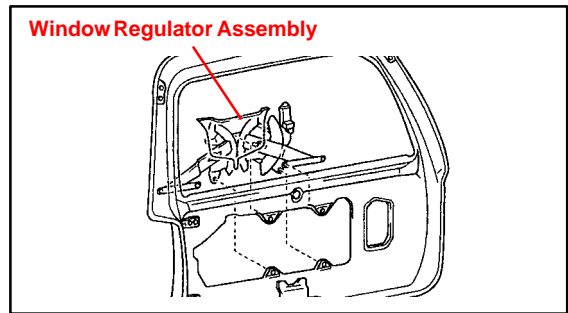
\*\* Warranty application is limited to correction of a problem based upon a customer's complaint.



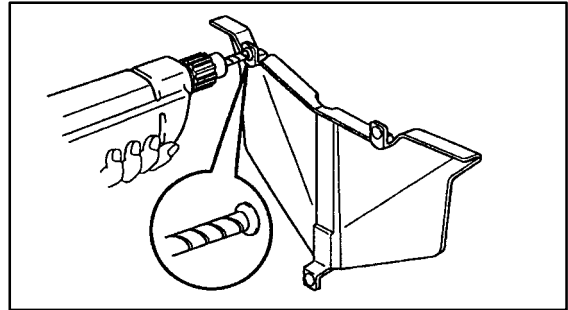
**Field-Fix Procedures**

1. Remove the back door window regulator assembly.

**NOTE:**  
Refer to Repair Manual for detailed procedures.

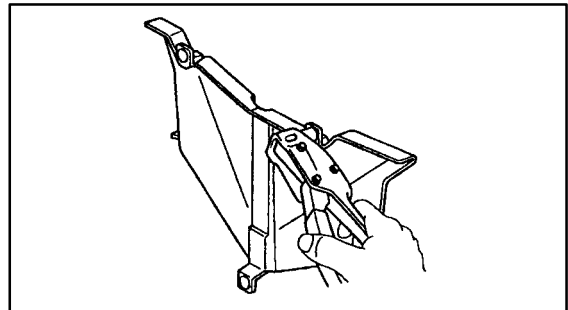


2. Remove the window regulator cover. Using a drill of 4.8 mm (0.189 in.) diameter, cut the flange portion of the 3 rivets.

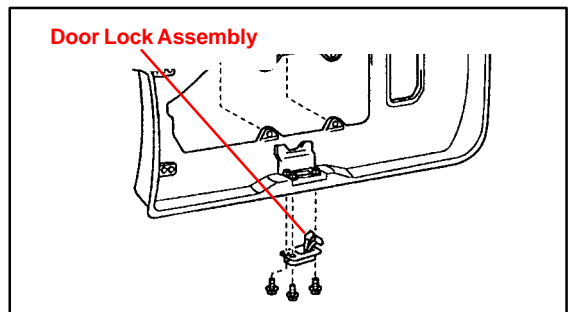


3. Install new window regulator cover. Use a 4.8 – 5.0 mm (0.189 – 0.197 in.) diameter rivet for installation.
4. Install the back door window regulator assembly.

**NOTE:**  
Refer to Repair Manual for detailed procedures.



5. Remove the 3 bolts and back door lock assembly.



6. Install the modified back door lock assembly and the 3 bolts.

**Torque: 61 in.lbf (7.0 Nm, 70 kgf.cm)**

**NOTE:**  
Refer to Repair Manual for adjustment procedures, if necessary.

