



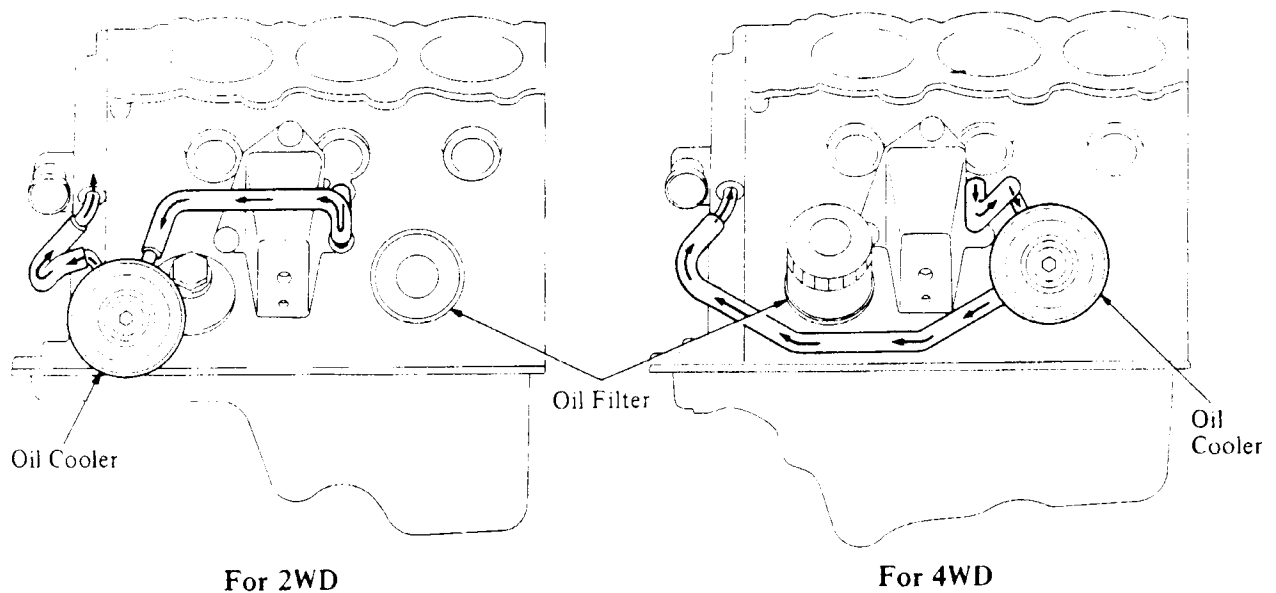
# TECHNICAL SERVICE BULLETIN

REF.: ENGINE  
 NO.: EN91-005  
 DATE: MAY10, 1991  
 MODEL: VN

## 3VZ-E ENGINE COOLER

Page 1 of 3

Engine oil coolers are now installed in production on all V-6 Trucks and 4Runners.



### PRODUCTION EFFECTIVE:

PRODUCTION DATE	MODEL	TRANS	VIN
August 1988	2WD 1-Ton	MTM & ATM	JT4VN82N-K*000001
August 1988	C&C	MTM & ATM	JT5VN***-K*000001
August 1988	All 4WD	ATM	JT4VN***-K*000001
December 1989	4WD Std Bed	MTM	JT4VN01*-L2007047
December 1989	4WD Long Bed	MTM	JT4VN02D-L2001349
December 1989	4WD XtraCab	MTM	JT4VN13*-L5023700
February 1990	All 2WD	MTM & ATM	JT4VN93*-L5012204
April 1989	4Runner	MTM	JT3VN39*-L*000001

TOYOTA MOTOR SALES U.S.A., INC.

## 3VZ-E ENGINE OIL COOLER (CONT'D)

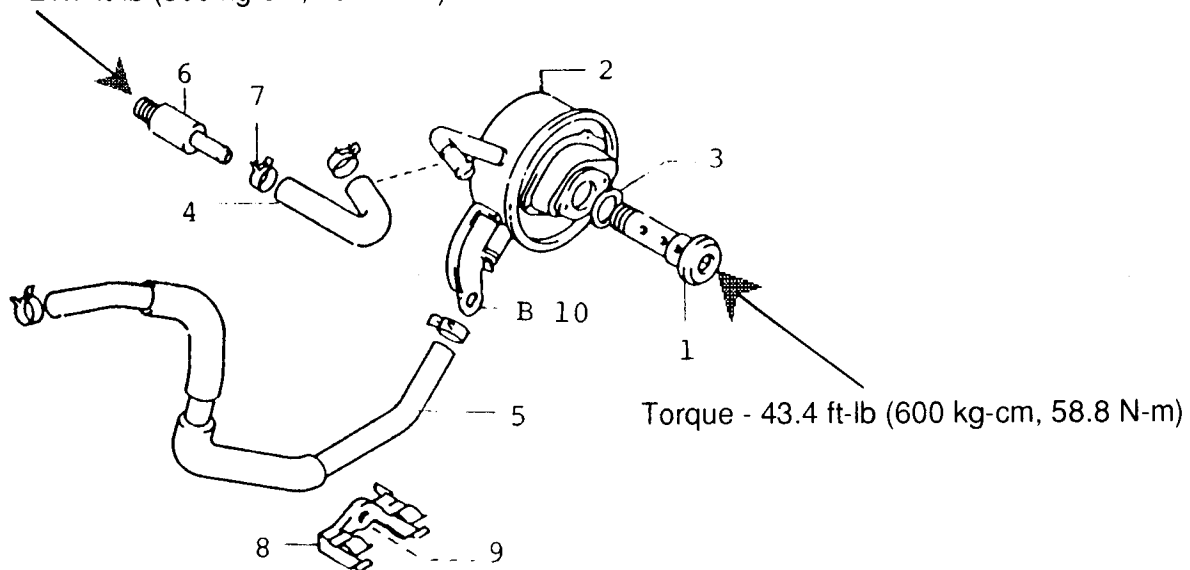
### REPAIR INFORMATION:

If a V-6 Truck is operated under conditions which cause excessive engine temperatures, an engine oil cooler can be added to vehicles which were not originally equipped with an oil cooler. Refer to parts information listed below.

### PART NUMBER INFORMATION FOR 4WD VEHICLES:

NO.	PART NUMBER	PART NAME	Q'TY/UNIT
1	15690-65020	Valve Assy, Oil Cooler Relief	1
2	15710-65030	Cooler Assy, Oil	1
3	90210-22001	Washer, Seal	1
4	15777-65010	Hose, Oil Cooler No. 1	1
5	15778-65010	Hose, Oil Cooler No. 2	1
6	90404-53066	Union	1
7	90467-17005	Clip	4
8	90929-01225	Clamp	1
9	91611-61016	Bolt, with Washer	1
10	91652-61016	Bolt, with Washer	1
11	16100-96225	Pump Assy, Water	1

Torque - 21.7 ft-lb (300 kg-cm, 29.4 N-m)



### 3VZ-E ENGINE OIL COOLER (CONT'D)

#### PART INFORMATION FOR 2WD VEHICLES:

NO.	PART NUMBER	PART NAME	Q'TY/UNIT
1	15690-65020	Valve Assy, Oil Cooler Relief	1
2	15710-65040	Cooler Assy, Oil	1
3	15781-65010	Bracket, Oil Cooler	1
4	90210-22001	Washer, Seal	1
5	90401-19003	Bolt, Union	1
6	90430-20013	Gasket	1
7	96721-24016	Ring, O	1
8	15777-65020	Hose, Oil Cooler No. 1	1
9	15778-65020	Hose, Oil Cooler No. 2	1
10	15782-65010	Bracket, Oil Cooler No. 2	1
11	90301-68004	Ring, O	1
12	90404-53066	Union	1
13	90462-10120	Clamp	4
14	90467-17005	Clip	1
15	91611-60610	Bolt, with Washer	1
16	91652-61016	Bolt, with Washer	1
17	91612-61018	Bolt, with Washer	2
18	16100-69225	Pump Assy, Water	1

