

Part Number: PTS08-34070

NOTE: Part number of this accessory may not be the same as the part number shown.

Kit Contents

Item #	Quantity Reqd.	Description
1	1	Hardware Bag
2	1	Locking Blockhead





Vehicle Service Parts (may be required for reassembly)

Item #	Quantity Reqd.	Description
1		

Hardware Bag Contents

Item #	Quantity Reqd.	Description
1	1	Torx Screw Wrench
2	2	Bushings
3	2	Fiber Washers
4	2	Plate Bolt
5	2	Stainless Washers
6	2	Hex Head Bolts
7	1	Bolt Cover
8	2	Theft-resistant Bolts

Legend

	STOP: Damage to the vehicle may occur. Do not proceed until process has been complied with.
	OPERATOR SAFETY: Use caution to avoid risk of injury.
	CAUTION: A process that must be carefully observed in order to reduce the risk of damage to the accessory/vehicle and to ensure a quality installation.
	TOOLS & EQUIPMENT: Used in Figures calls out the specific tools and equipment recommended for this process.

Additional Items Required For Installation

Item #	Quantity Reqd.	Description
1	1	10mm Wrench

Conflicts

--

Recommended Tools

Personal & Vehicle Protection	Notes
Special Tools	Notes
Installation Tools	Notes
Special Chemicals	Notes

General Applicability

All vehicles equipped with bed rails

Recommended Sequence of Application

Item #	Accessory
1	

*Mandatory

Procedure

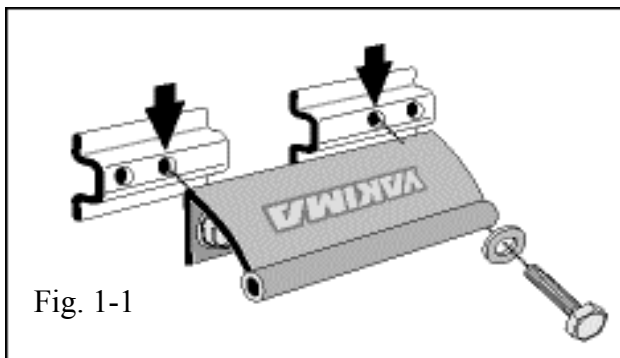
Care must be taken when installing this accessory to ensure damage does not occur to the vehicle. The installation of this accessory should follow approved guidelines to ensure a quality installation.

These guidelines can be found in the “Accessory Installation Practices” document.

This document covers items such as:

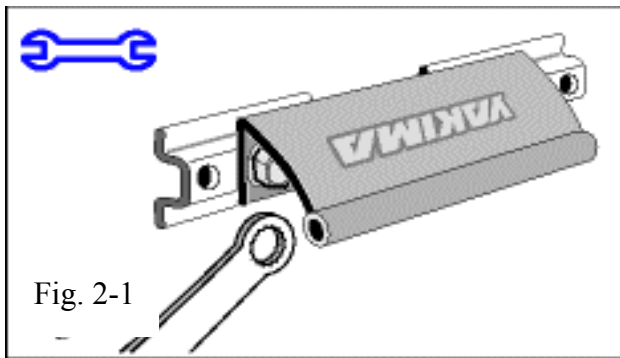
- Vehicle Protection (use of covers and blankets, cleaning chemicals, etc.).
- Safety (eye protection, rechecking torque procedure, etc.).
- Vehicle Disassembly/Reassembly (panel removal, part storage, etc.).
- Electrical Component Disassembly/Reassembly (battery disconnection, connector removal, etc.).

Please see your Toyota dealer for a copy of this document

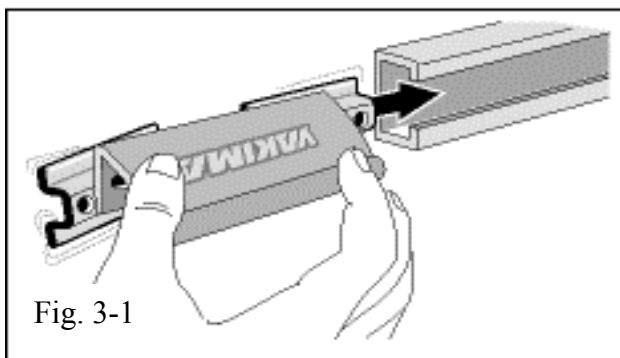


1. Attach the plates to the block (Fig. 1-1)

- (a) Insert hex bolts with metal washers onto center holes in plates

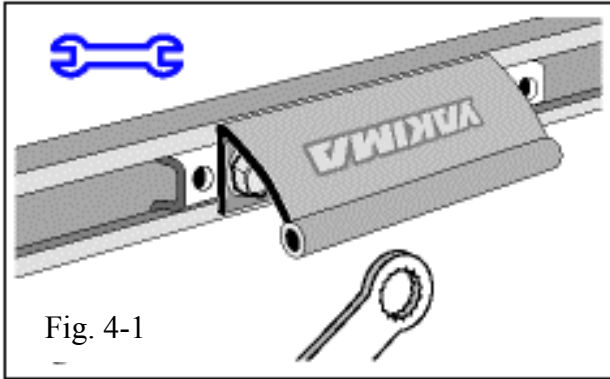


2. Loosely secure the bolts in the plates (Fig. 2-1)



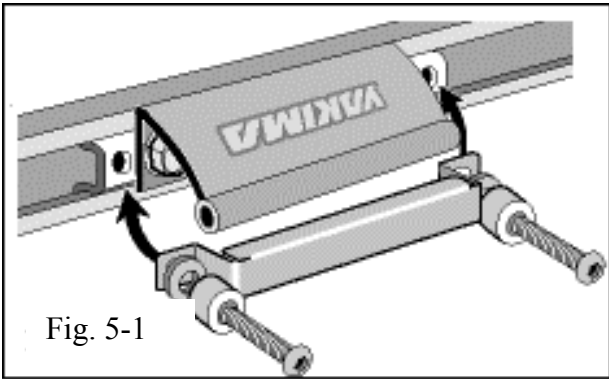
3. Slide block with loose plates into rail.

- (a) Position the block in the rail allowing for bicycle handlebar clearance. (Fig. 3-1)



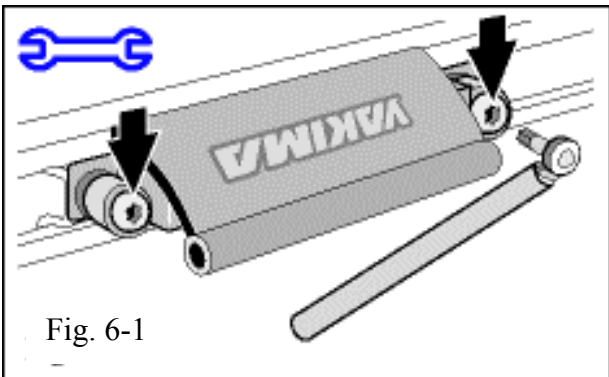
4. Tighten the bolts in the plates.

- (a) Use a 10 mm wrench to tighten the hexagonal bolts. (Fig. 4-1)



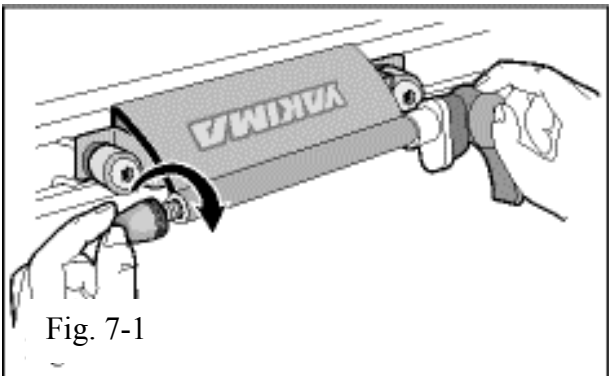
5. Attach bolt cover. (Fig. 5-1)

- (a) Align cover holes to outer holes in plates.
- (b) Insert theft deterrent bolts with fiber washers and bushings as shown

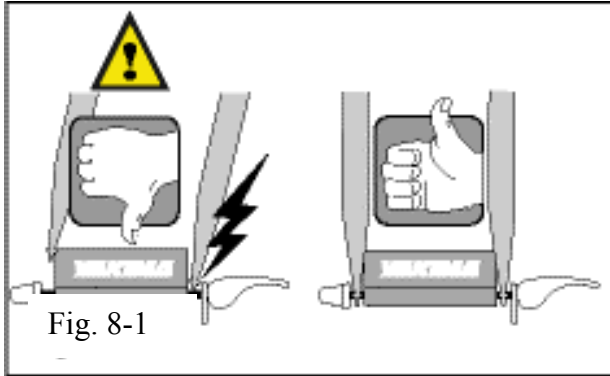


6. Secure the bolt cover. (Fig. 6-1)

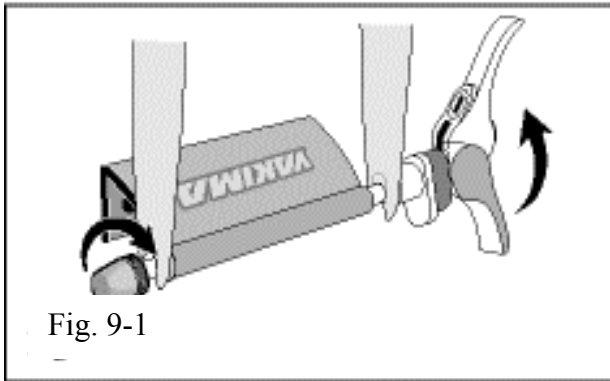
- (a) Tighten the theft-deterrent bolts with the wrench supplied in this kit.



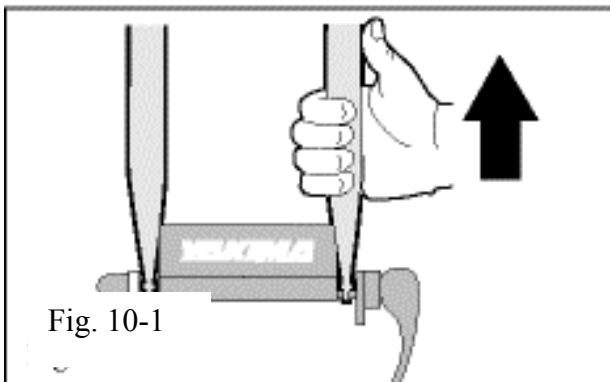
7. Replace skewer and attach the nut. (Fig 7-1)



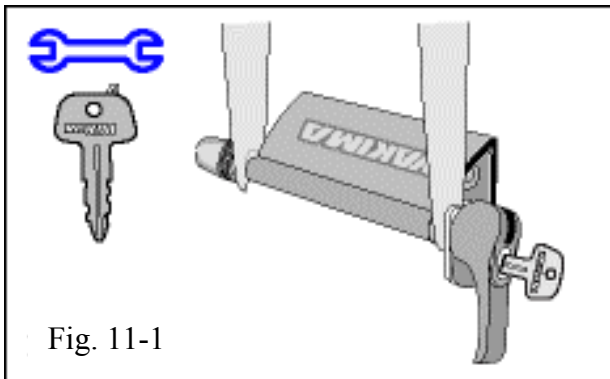
8. With the front wheel removed, set the bicycle front forks straight down onto the skewer. (Fig. 8-1)



9. With the lever open, tighten the nut until the lever closes with firm resistance.
- (a) Loosen or tighten the nut as needed, so that the lever closes completely. (Fig. 9-1)

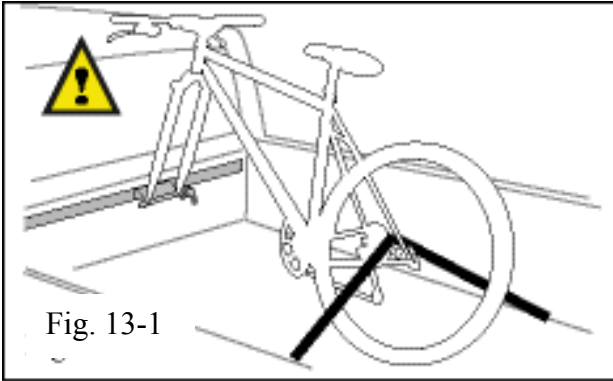


10. Test the security of the bicycle by gripping the forks and lifting. (Fig 10-1)
- (a) If the forks can move out of the skewer, open the lever and tighten the nut slightly.



11. Lock the fork block with supplied key. (Fig. 11-1)

12. Store keys, wrench, and installation instructions in the glove box.

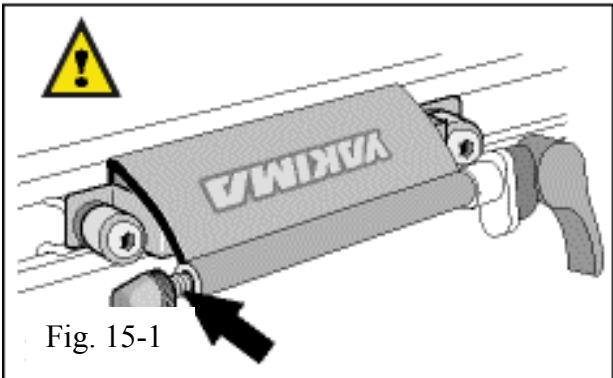


13. Secure the rear wheel during travel.

(Fig. 13-1)

- (a) Use strap or line to secure the wheel to the truck bed (tie-down not included in kit).

14. WARNING: Periodically tighten bolts after repeated use to ensure tightness on the rail.



15. Lubricate skewer occasionally.

(Fig. 15-1)

Check:

Look For:

Accessory Function Checks

- Check locking block is not loose on rail
- Check bicycle is securely attached.

Locking block is secured firmly on rail

Bike forks do not come out of skewer

Vehicle Function Checks