

Preparation

**Part Number: 08921-04960**

**NOTE:** Part number of this accessory may not be the same as the part number shown.

**Kit Contents**

Item #	Quantity Reqd.	Description
1	1	Converter Assembly
2	1	Wire Harness
3	1	Sub Wire Harness
4	2	Plastic Tie (300mm)
5	4	Plastic Tie (200mm)
6	13	Plastic Tie (150mm)
7	1	Packing
8	1	Bolt (M6)
9	2	Bolt (M5)
10	1	Towing Tail Relay
11	2	Fuse (30A)
12	1	Installation Manual
13	1	Owner's Manual

\* Depending on the vehicle, the plastic tie of Item #6 may have excess quantity.

**Hardware Bag Contents**

Item #	Quantity Reqd.	Description

**Additional Items Required For Installation**

Item #	Quantity Reqd.	Description

**Conflicts**

--

**Recommended Tools**

<b>Personal &amp; Vehicle Protection</b>	<b>Notes</b>
Safety Goggles	
Seat Covers	
Floor Protectors	
<b>Special Tools</b>	<b>Notes</b>
L.E.D. Tester	S.S.T. 00002-62195
<b>Installation Tools</b>	<b>Notes</b>
Torque Wrench	
Ratchet 3/8" Drive	
6" Extension	
10 mm Socket	
8 mm Socket	
Nylon Removal Tool	
Awl (hook type)	
Side Cutters	
<b>Special Chemicals</b>	<b>Notes</b>

**General Applicability**

--

**Recommended Sequence of Application**





Item #	Accessory
1	Trailer Hitch
2	Trailer Wire Harness

**Vehicle Service Parts**

(May be required for reassembly)

Item #	Quantity Reqd.	Description

**Legend**

	<b>STOP:</b> Damage to the vehicle may occur. Do not proceed until process has been complied with.
	<b>OPERATOR SAFETY:</b> Use caution to avoid risk of injury.
	<b>CAUTION:</b> A process that must be carefully observed in order to reduce the risk of damage to the accessory/vehicle and to ensure a quality installation.
	<b>TOOLS &amp; EQUIPMENT:</b> Used in Figures calls out the specific tools and equipment recommended for this process.

Care must be taken when installing this accessory to ensure damage does not occur to the vehicle. The installation of this accessory should follow approved guidelines to ensure quality installation.

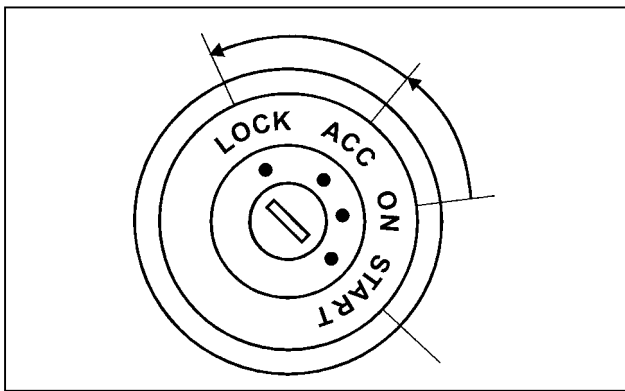
These guidelines can be found in the "Accessory Installation Practices" document.

This document covers such items as:-

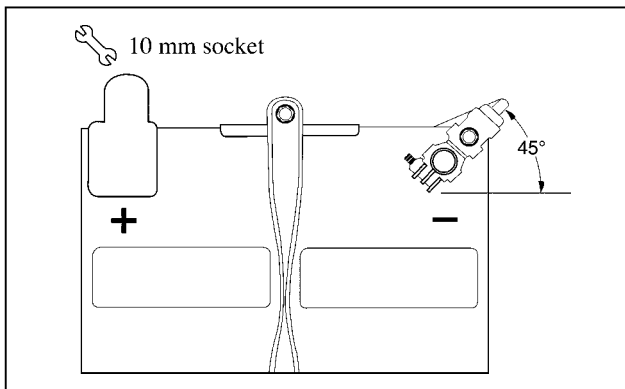
- Vehicle Protection (use of covers and blankets, cleaning chemicals, etc.).
- Safety (eye protection, rechecking torque procedure, etc.).
- Vehicle Disassembly/Reassembly (panel removal, part storage, etc.).
- Electrical Component Disassembly/Reassembly (battery disconnection, connector removal, etc.).

Please see your Toyota dealer for a copy of this document.

### 1. Supplemental Restraint System SRS



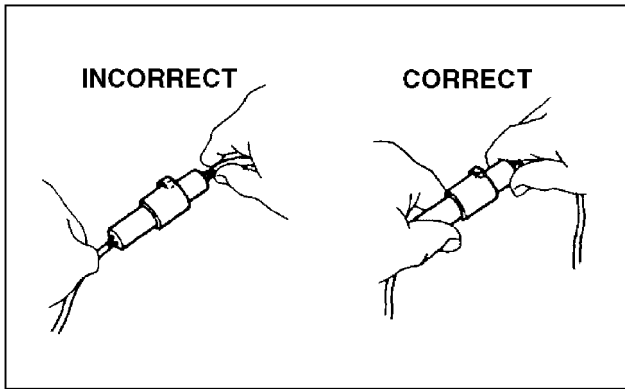
- (a) Failure to carry out procedures listed below could result in possible deployment of airbag, personal injury, or unnecessary repairs to SRS.
- (b) Turn the key switch to the LOCK position.
- (c) Remove the key from the ignition switch.



- (d) Disconnect the negative battery cable.

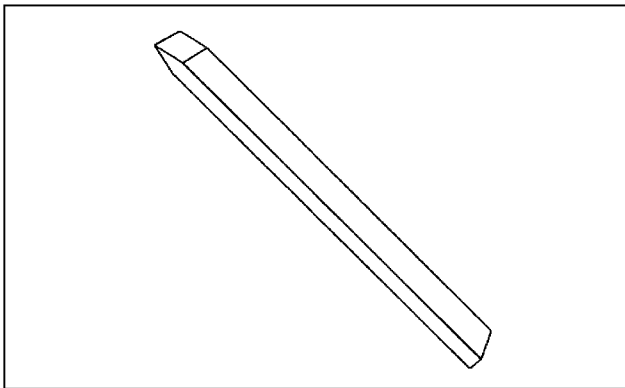


- (e) Never use a voltmeter to trouble shoot any of the harnesses or connectors to the SRS. Accidentally probing the connectors to the SRS can lead to deployment of the airbag.
- (f) SRS wire harness loom/cover is bright yellow in color.



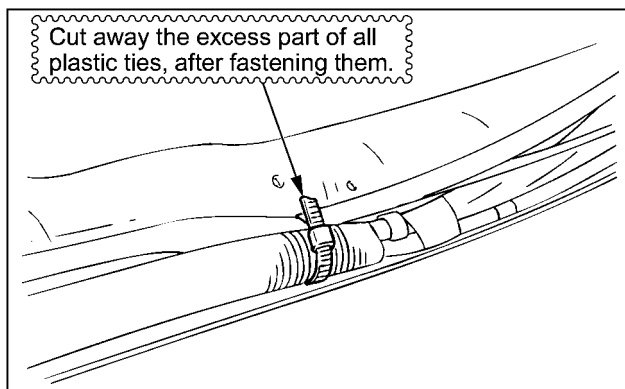
## 2. Wiring Precautions

- (a) DO NOT pull on vehicle wires and/or wire harness. To uncouple electrical connectors, pull only on the connector itself.
- (b) Use nylon ties and adhesive foam strips to secure the vehicle harness and the trailer wire harness.
- (c) Ensure all wires are properly insulated from ground.
- (d) When installing the trailer wire harness make sure it is not cut or perforated by any sharp metal objects.



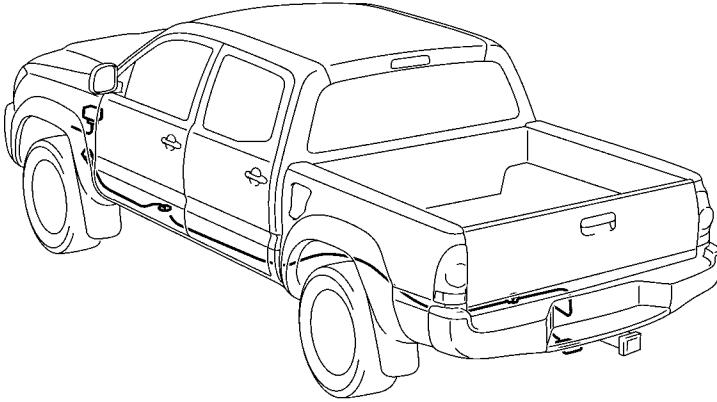
## 3. General Practices and Procedures

- (a) Before starting installation, refer to the supplemental restraint system procedures in Section 1.
- (b) Take care not to scratch any part of the vehicle. Bind the tips of tools (clip remover, slot screw driver, etc.) with vinyl tape to prevent damage to any part of the car, or use a nylon removal tool (resin based prying tool).
- (c) Use a small parts container to store removed bolts and tapping screws so that they can be reassembled correctly.
- (d) Ensure seat/floor protectors are in position.
- (e) After fastening plastic ties, clip away all the excess of the ties using diagonal pliers.

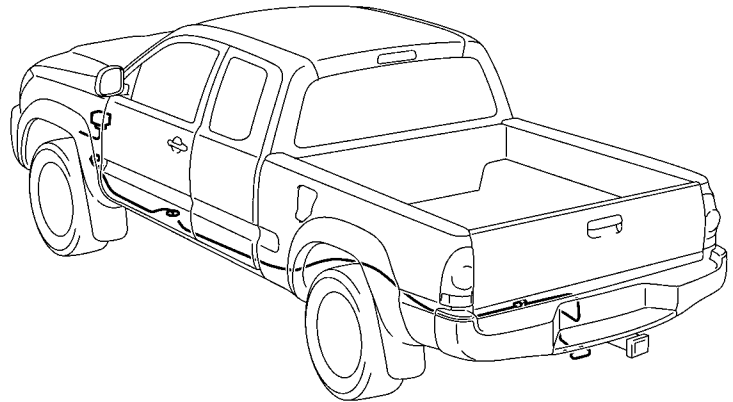


Installation Outline for Trailer Wire Harness Components

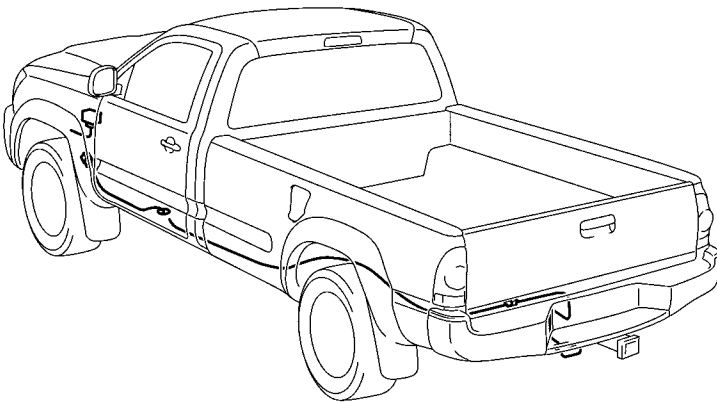
■ D-Cab (Long)



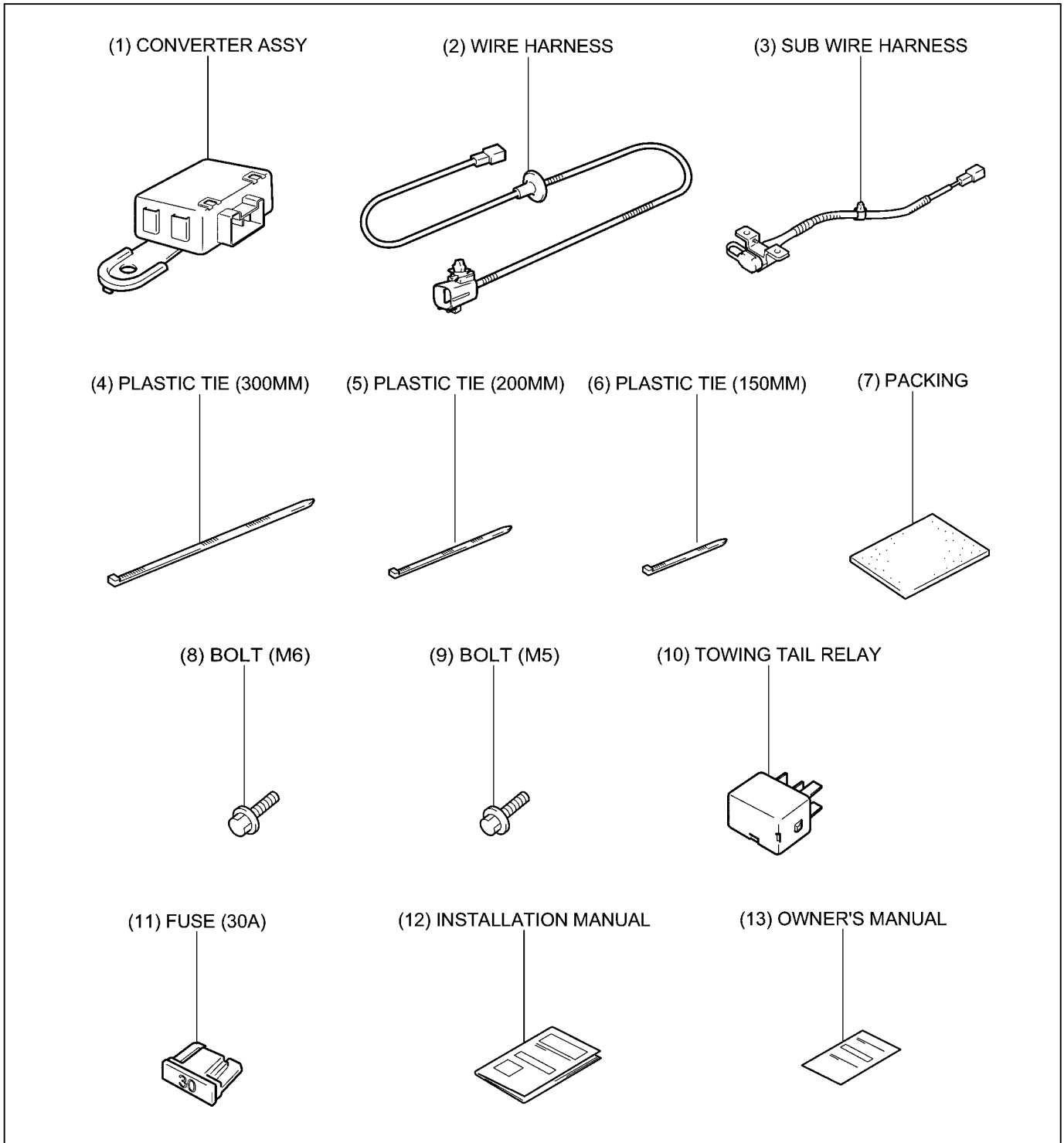
■ C-Cab

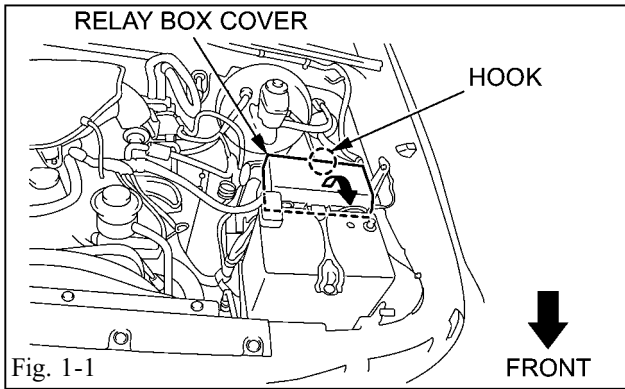


■ B-Cab



Trailer Wire Harness Parts Description



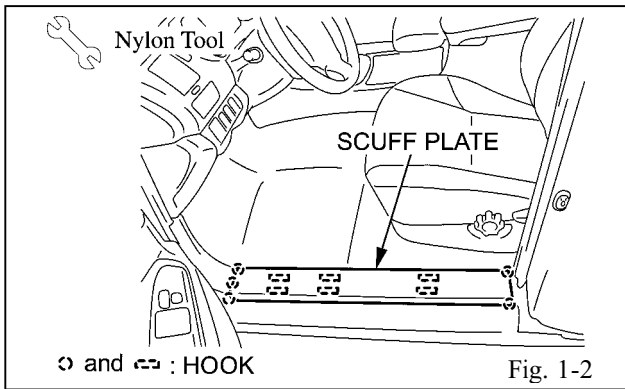


### 1. Parts Removal

(a) Before Installation, remove the negative (-) terminal of the battery.

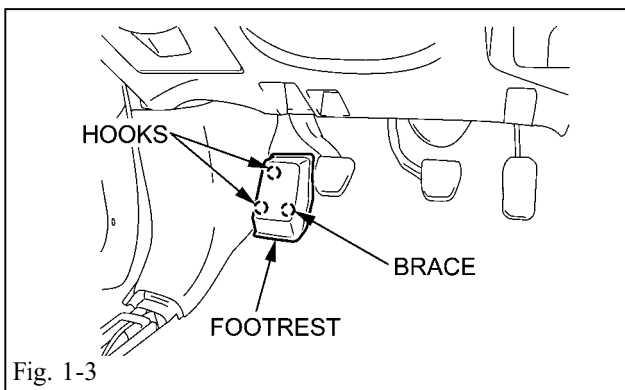
**+** (b) Relay box cover.

(1) Remove relay box cover. (Fig. 1-1)



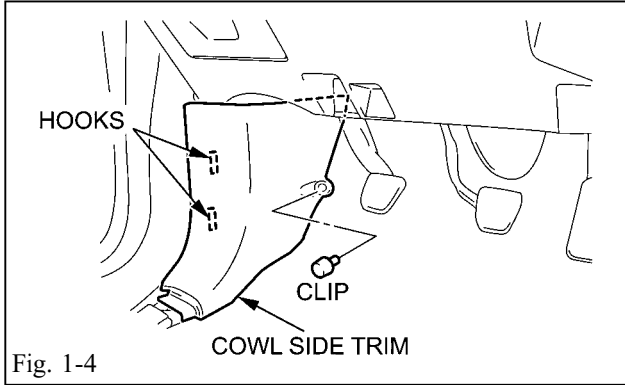
(c) Scuff plate

(1) Remove scuff plate. (Fig. 1-2)



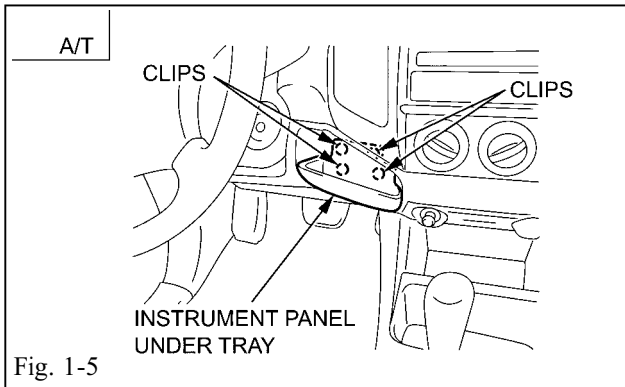
(d) Footrest

(1) Remove footrest. (Fig. 1-3)




(e) Cowl side trim

- (1) Remove the clip from cowl side trim by turning it counter clockwise. Remove the cowl side trim. (Fig. 1-4)

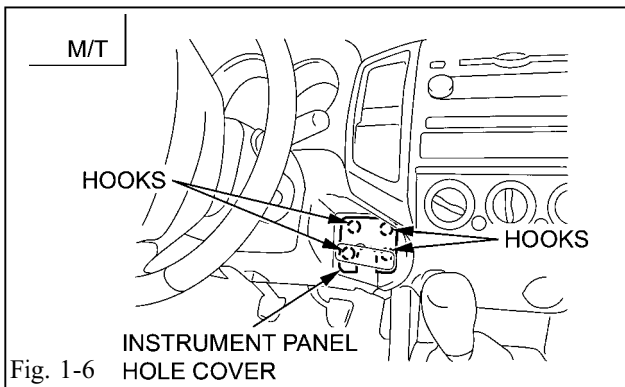


\*Perform the work in step (f) only for the A/T vehicle.

(f) Instrument panel under tray


-  (1) Use the steering tilt and telescope function to lift up the steering wheel and pull it toward you so that the instrument panel under tray does not interfere with the steering wheel before removing the instrument panel hole cover. (Fig. 1-5)

- (2) Remove instrument panel hole cover. (Fig. 1-5)



\*Perform the work in step (g) only for the M/T vehicle.

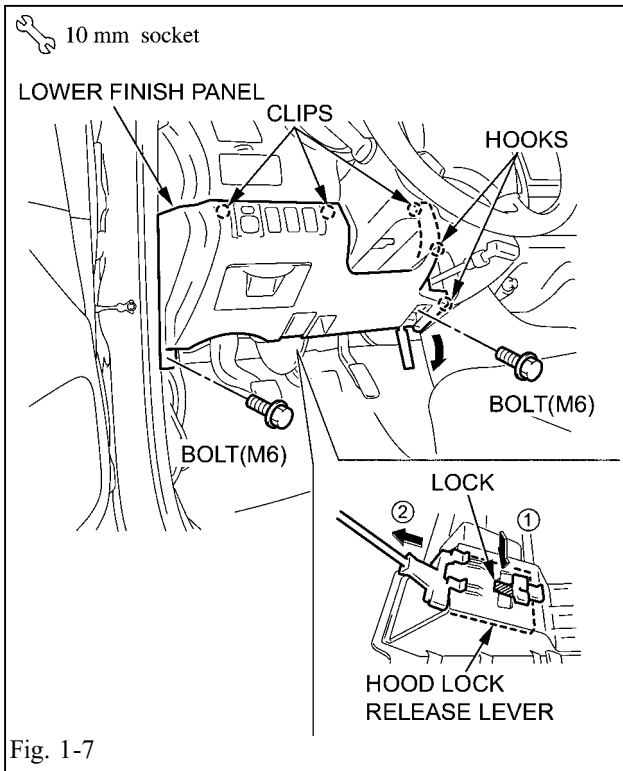
(g) Instrument panel hole cover

-  (1) Use the steering tilt and telescope function to lift up the steering wheel and pull it toward you so that the instrument panel under tray does not interfere with the steering wheel before removing the instrument panel under tray. (Fig. 1-6)

- (2) Remove instrument panel hole cover. (Fig. 1-6)

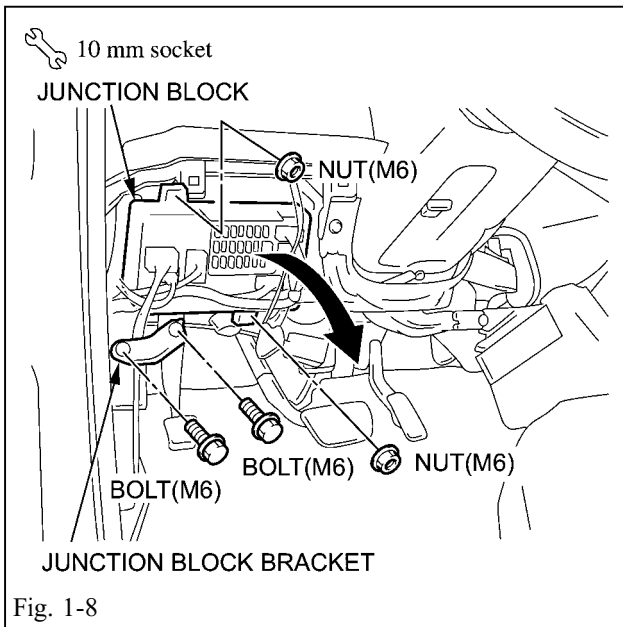
(h) Lower finish panel

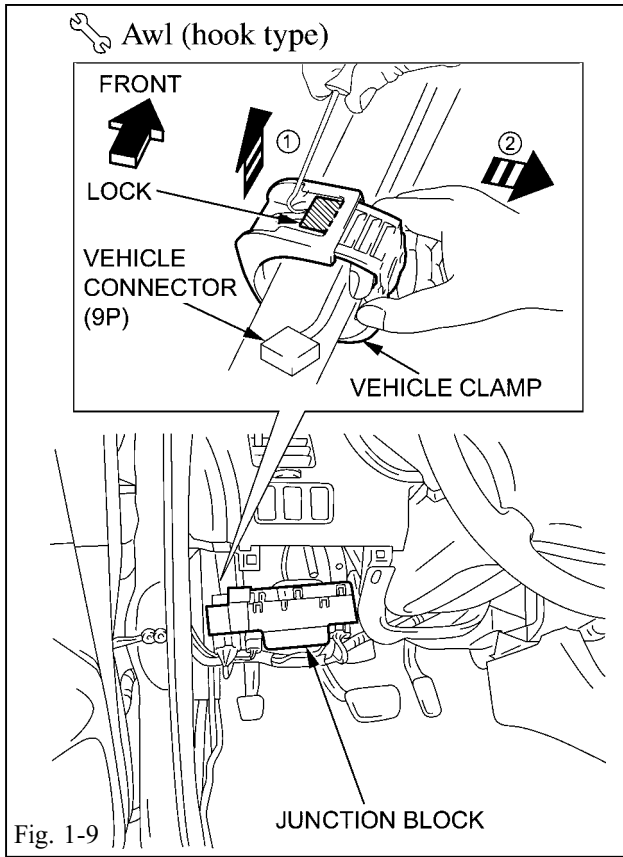
- (1) Remove 2 bolts from lower finish panel and remove lower finish panel (Fig. 1-7)
- (2) Pull out to remove the hood lock release lever while pressing the hood lock release lever lock. (Fig. 1-7)



(i) Junction block

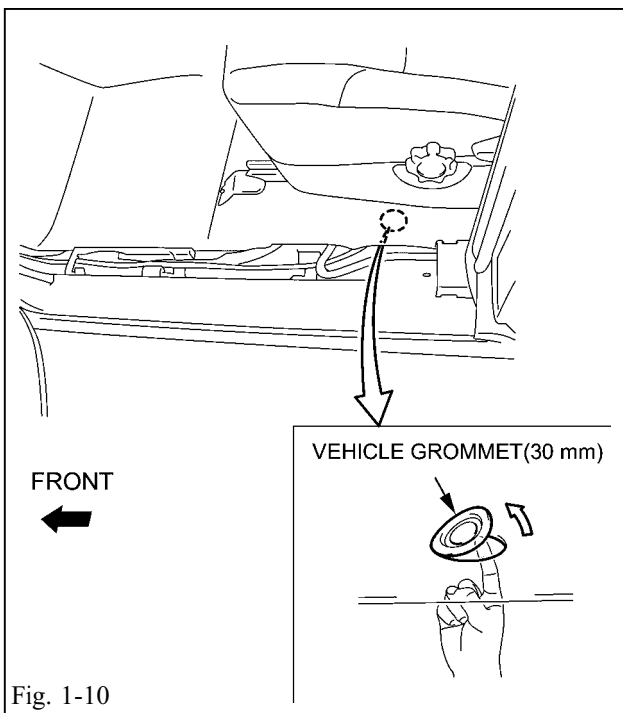
- (1) Remove 2 bolts from junction bracket and remove junction bracket. (Fig. 1-8)
- (2) Remove 2 nuts from junction block and pull the junction block toward you. (Fig. 1-8)





(j) Vehicle clamp

- (1) Remove the vehicle clamp while removing the lock upward and take out the vehicle connector (9P). (Fig. 1-9)



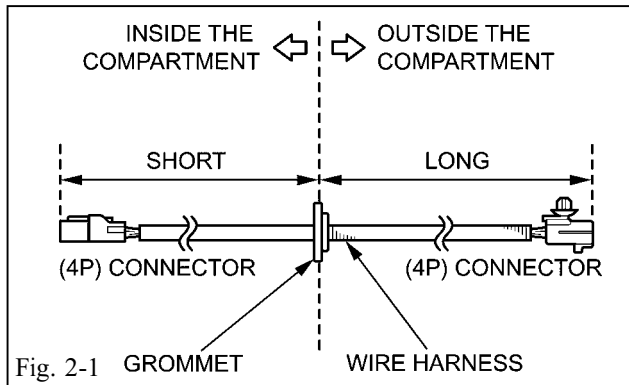
(k) Vehicle grommet (30 mm)

- (1) Remove the vehicle grommet (30 mm) by pushing it up with your fingers from the vehicle bottom inside the compartment. (Discard) (Fig. 1-10)


2. Installation

(a) Wire harness

- (1) Determine the correct interior and exterior sections of the wire harness by referring to the wire harness in the figure on the right. (Fig. 2-1)



(b) Fit the grommet

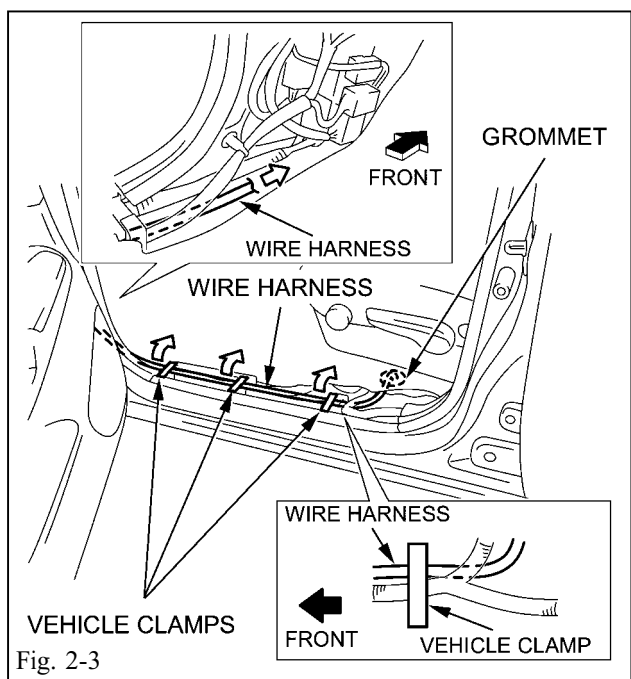
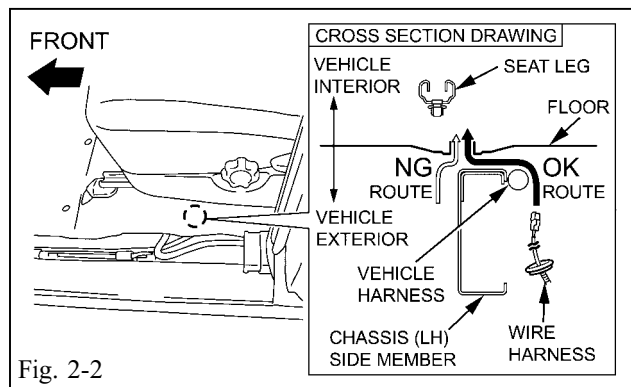
-  (1) Considering the routing of the wire harness in the following process, position the interior wire harness over the vehicle harness inboard side of the vehicle chassis (LH) side member. (Fig. 2-2)

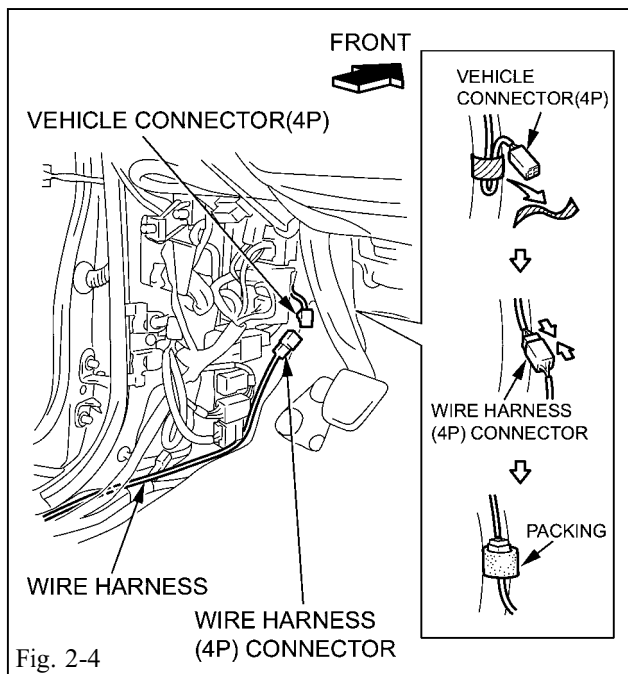
- (2) Starting from the underside of the vehicle route the interior wire harness (4P) through the vehicle hole. (Fig. 2-2)

- (3) Fit the wire harness grommet into the vehicle hole from which the vehicle grommet was removed. (Fig. 2-2)

(c) Securing wire harness (inside the vehicle)

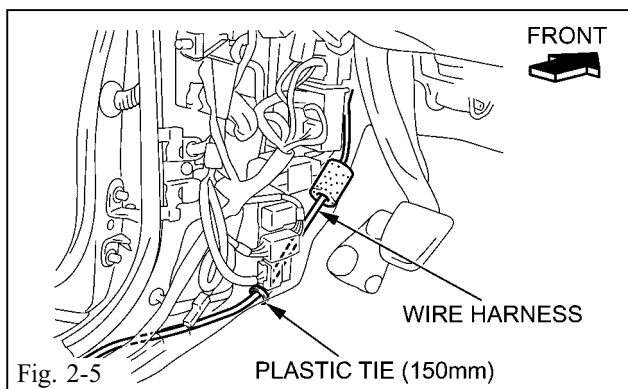
- (1) Lift the 3 vehicle clamps and route the wire harness along the vehicle wire harness. (Fig. 2-3)





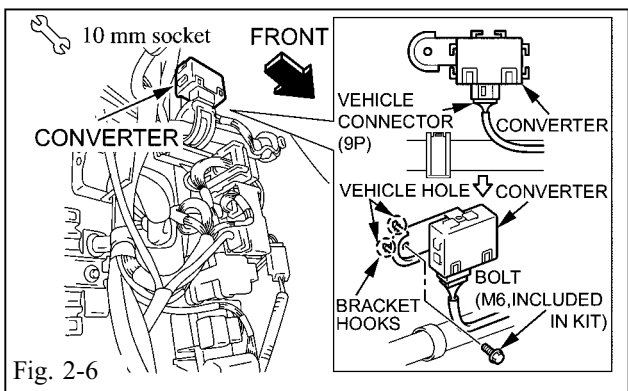
(d) Connecting the wire harness (4P) connector to the vehicle connector (4P).

- (1) Remove the tape for fixing the vehicle connector (4P). (Fig. 2-4)
- (2) Wrap the packing around the wire harness (4P) connector of the towing wire harness.



(e) Securing wire harness (Inside the vehicle)

- (1) Secure the wire harness to the vehicle harness with a plastic tie (150mm). (Fig. 2-5)



(f) Converter installation

- (1) Connect the vehicle connector (9P) that was removed from the vehicle clamp to the converter. (Fig. 2-6)
- (2) Fit the converter bracket hook (2 places) into the vehicle hole and fix it with the bolt (M6) of the kit. (Fig. 2-6)
- (3) Tighten the bolt with: 8 N·m [71 lbf·in] of torque. (Fig. 2-6)

For B-cab Installation Refer to Installation Procedure, Page #12.

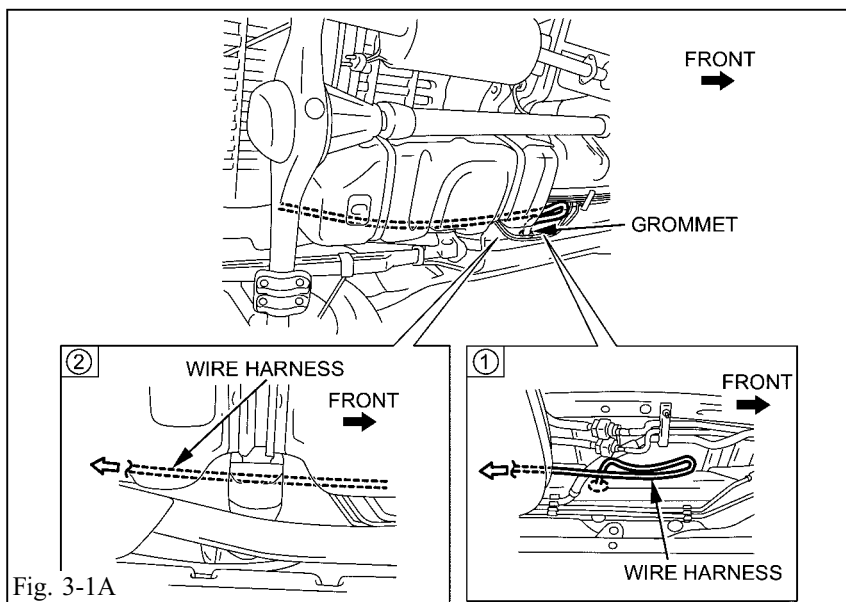
For C-cab Installation Refer to Installation Procedure, Page #15.

For D-cab (Long) Installation Refer to Installation Procedure, Page #18.

For D-cab (Super Long) Installation Refer to Installation Procedure, Page #20.

For [B-cab , C-cab , D-cab (Long) , D-cab (Super Long)] - Securing Sub Wire Harness, Refer to Installation Procedure, Page #23.

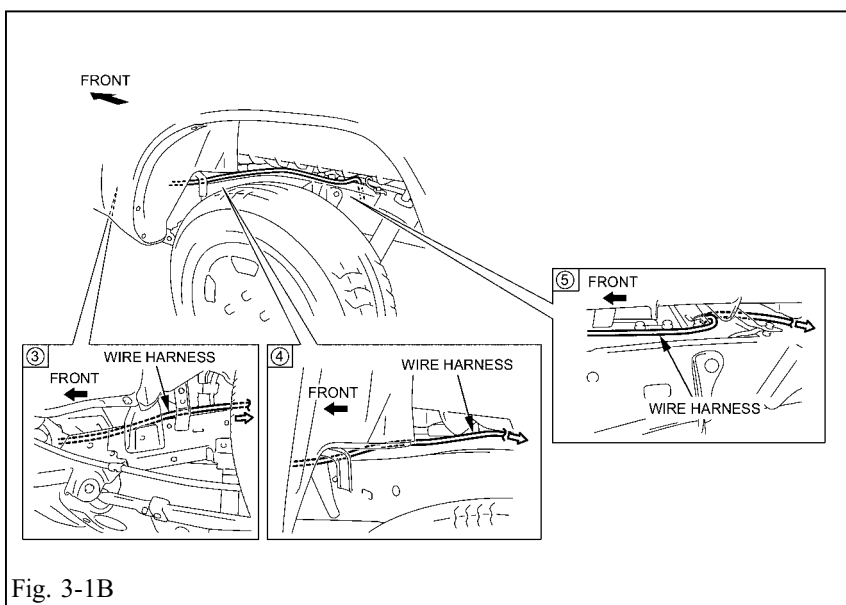
**HINT:** The trailer wire harness generally follows the same path as the vehicle wire harness that is routed to the rear of the vehicle.



**3. B-cab truck under bed section**

(a) Routing of wire harness  
(Underside of vehicle)

- (1) Route the wire harness (4P) as shown. (Fig. 3-1A) (Fig. 3-1B)



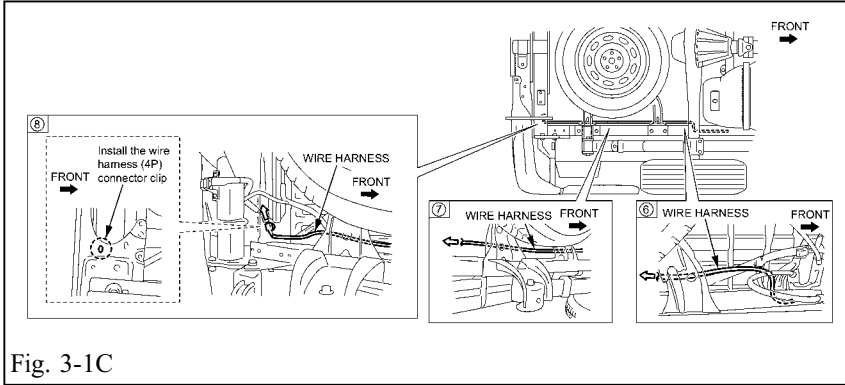


Fig. 3-1C

- (2) Install the wire harness (4P) connector clip to the position illustrated. (Fig. 3-1C)

(b) Positioning of wire harness

- (1) Route the wire harness spiral tube to the position in the figure of the vehicle left side. (Fig. 3-2)

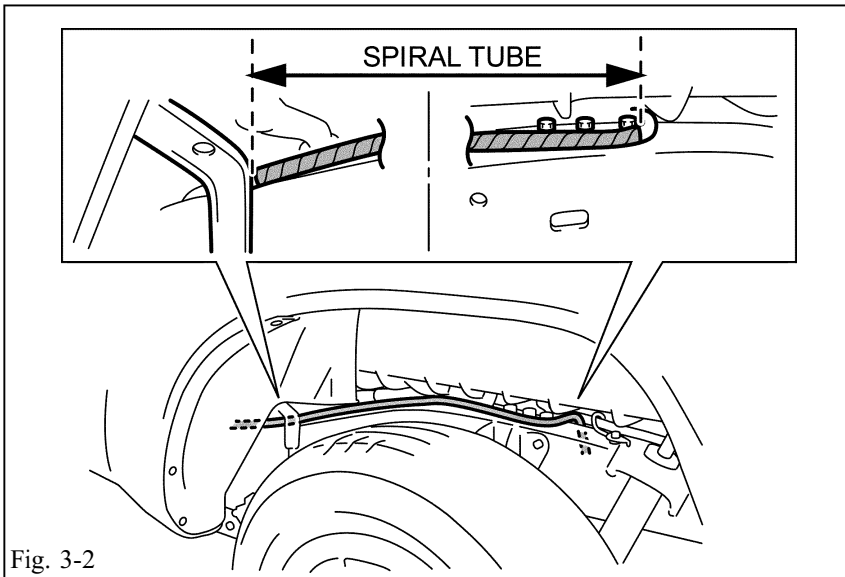


Fig. 3-2

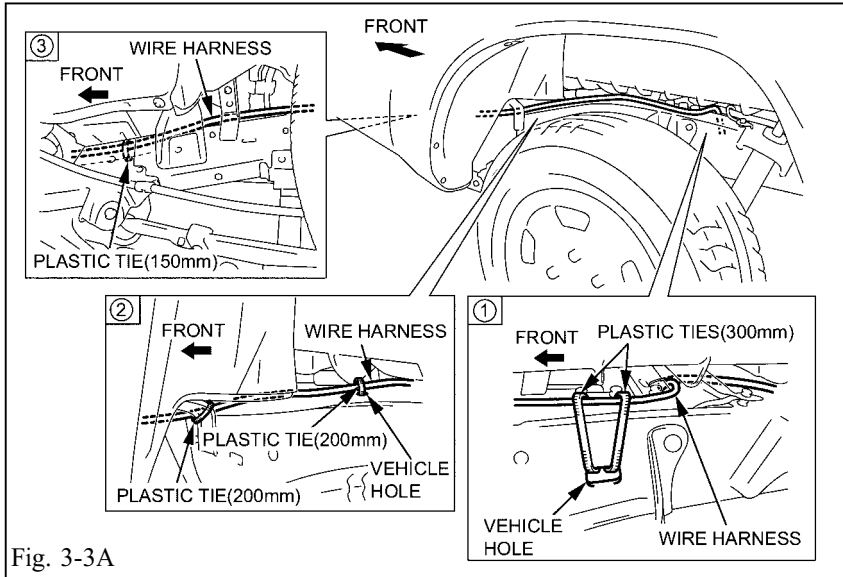


Fig. 3-3A

(c) Securing the wire harness  
(Underside of vehicle)

- (1) Install the wire harness plastic ties as shown in the figure. Use the amount of ties listed in the table below. (Fig. 3-3A) (Fig. 3-3B)

PLASTIC TIES	
SIZE	QTY
150	1
200	2
300	2

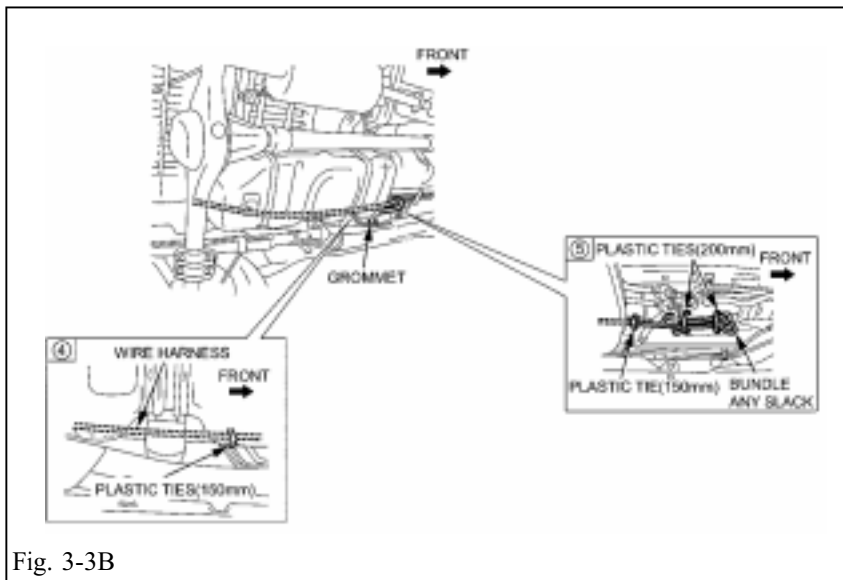


Fig. 3-3B

PLASTIC TIES	
SIZE	QTY
150	2
200	2
300	0

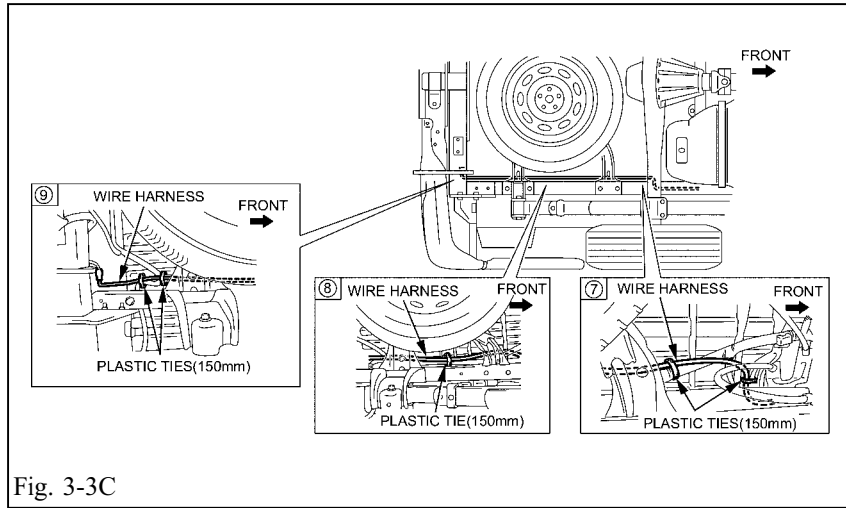



Fig. 3-3C

 (2) Route the wire harness so that it does not interfere with the brake pipe, fuel pipe, and others. Use the amount of ties listed in the table below. (Fig. 3-3C)

PLASTIC TIES	
SIZE	QTY
150	5
200	0
300	0

**4. C-cab truck under bed section**

(d) Routing of wire harness  
(Underside of vehicle)

(1) Route the wire harness (4P) as shown in the figure.  
(Fig. 4-1A) (Fig. 4-1B)

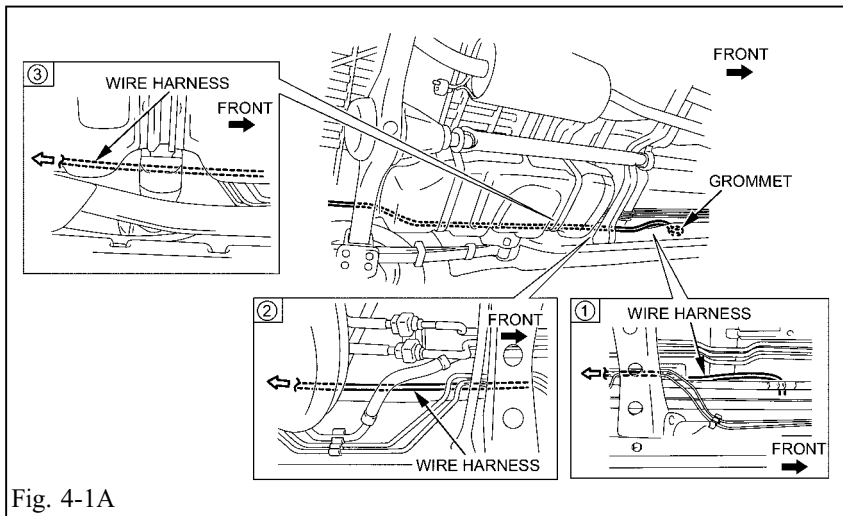


Fig. 4-1A

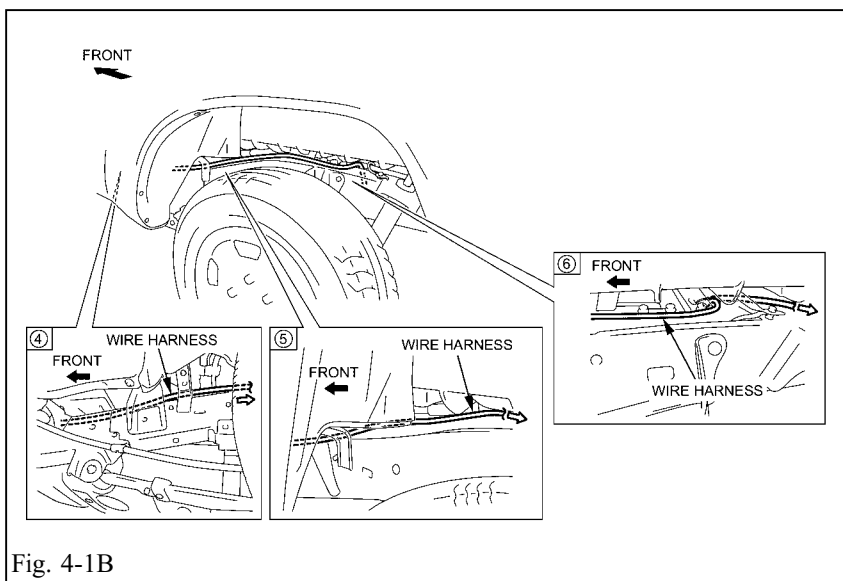


Fig. 4-1B

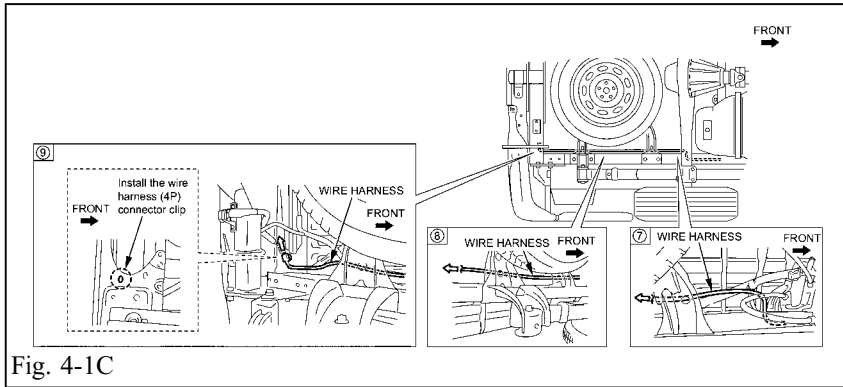


Fig. 4-1C

- (2) Install the wire harness (4P) connector clip to the position in the figure. (Fig. 4-1C)

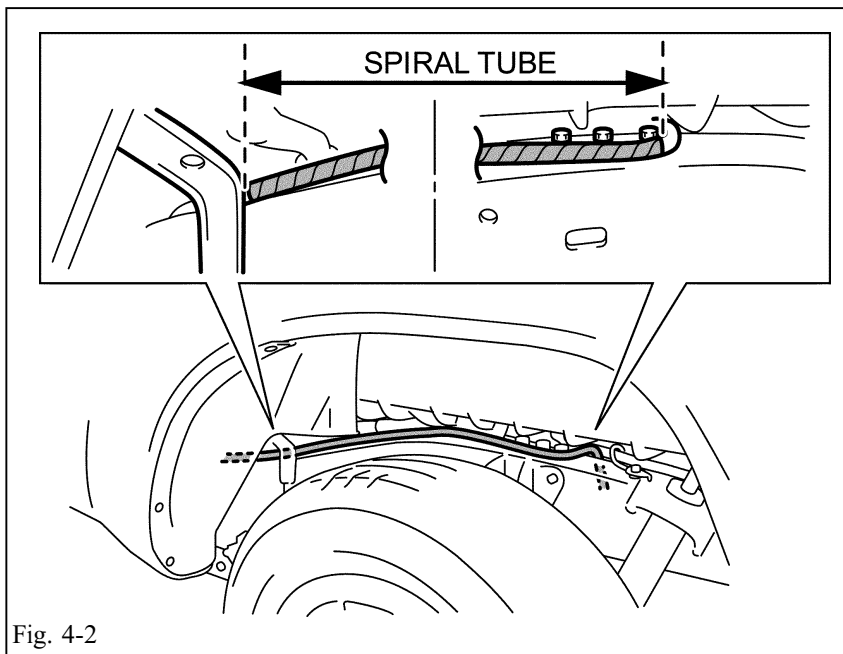


Fig. 4-2

- (e) Positioning of wire harness
  - (1) Route the wire harness spiral tube to the position in the figure. (Fig. 4-2)

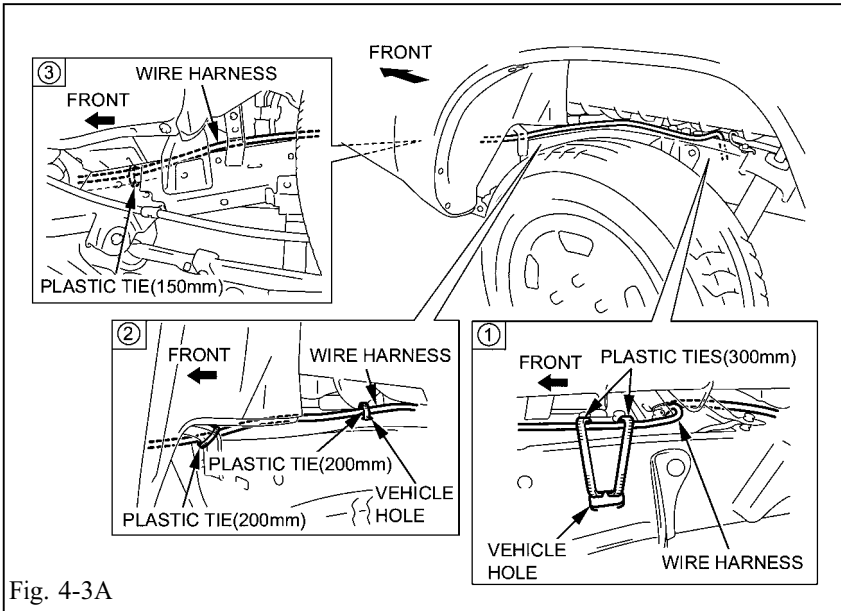


Fig. 4-3A

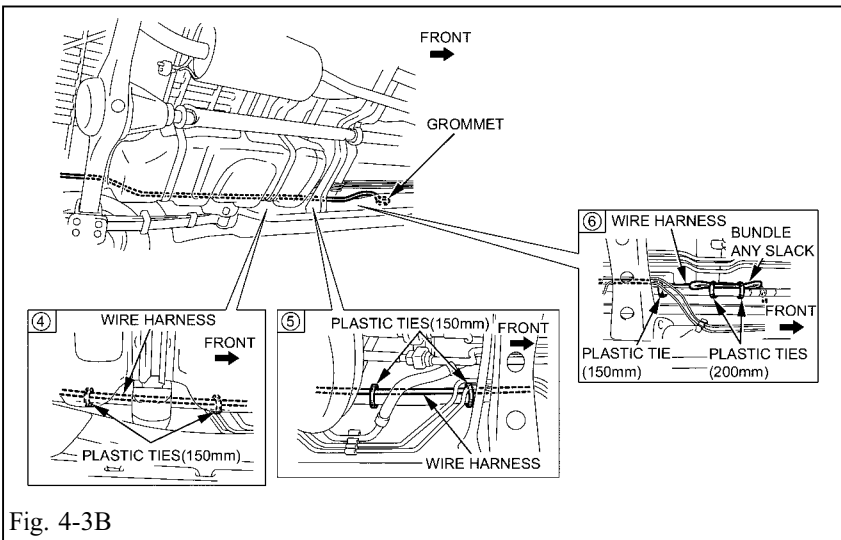


Fig. 4-3B

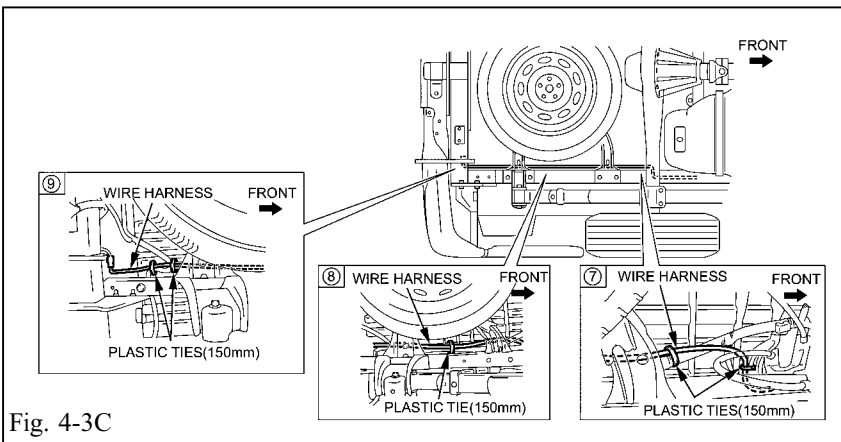



Fig. 4-3C

(f) Positioning of wire harness  
(Underside of vehicle)

- (1) Secure the wire harness so that it does not interfere with the brake pipe, fuel pipe, and others. Use the amount of ties listed in the table below. (Fig. 4-3A) (Fig. 4-3B)

SIZE	QTY
150	1
200	2
300	2

PLASTIC TIES	
SIZE	QTY
150	5
200	2
300	0

-  (2) Secure the wire harness so that it does not interfere with the brake pipe, fuel pipe, and others. Use the amount of ties listed in the table below. (Fig. 4-3C)

PLASTIC TIES	
SIZE	QTY
150	5
200	0
300	0

5. D-cab (Long) truck under bed section

(a) Routing of wire harness  
(Underside of vehicle)

- (1) Route the wire harness (4P) as shown in the figure.  
(Fig. 5-1A) (Fig. 5-1B)

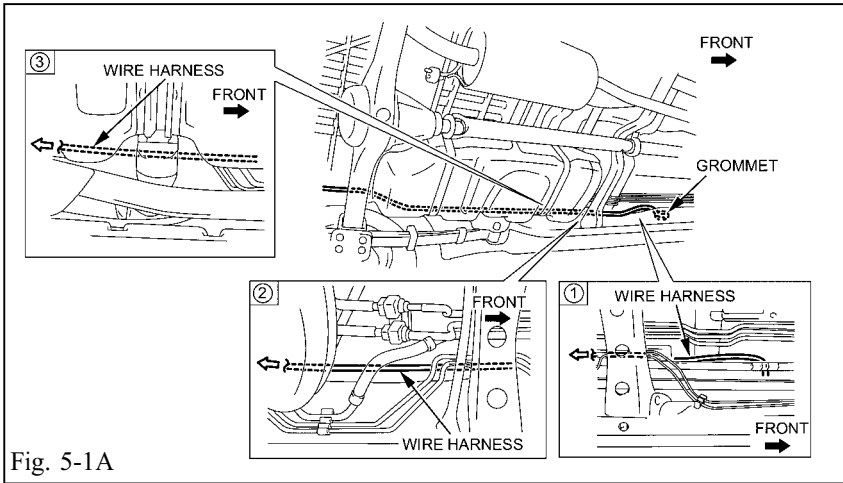


Fig. 5-1A

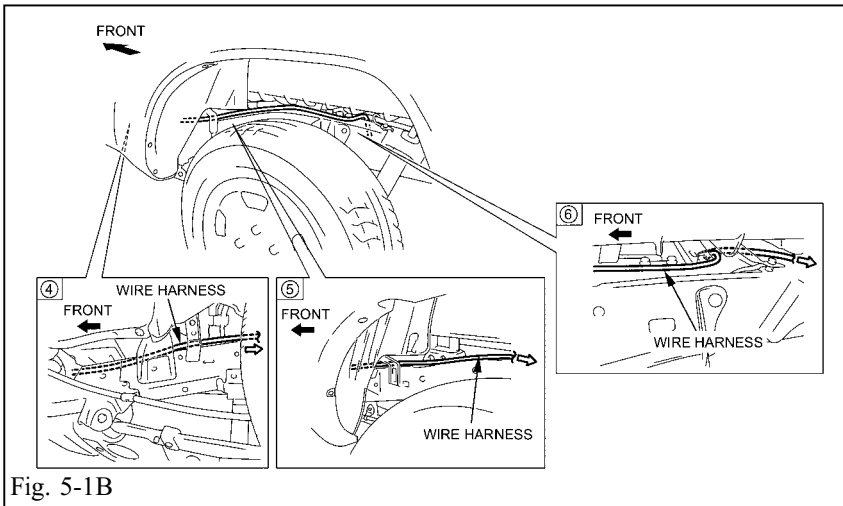


Fig. 5-1B

- (2) Install the wire harness (4P) connector clip to the position illustrated.  
(Fig. 5-1C)

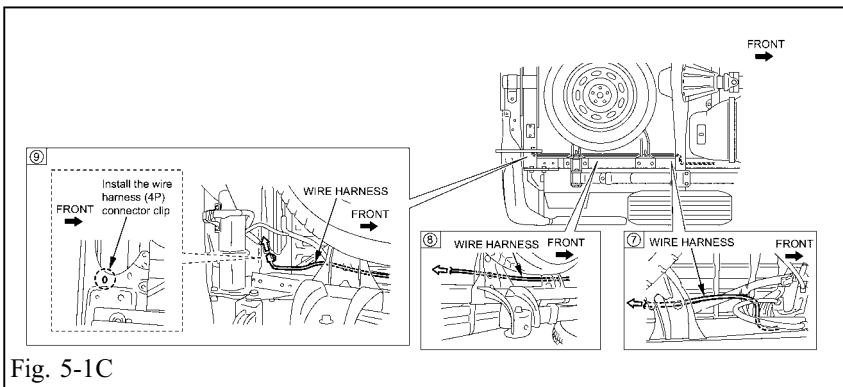


Fig. 5-1C

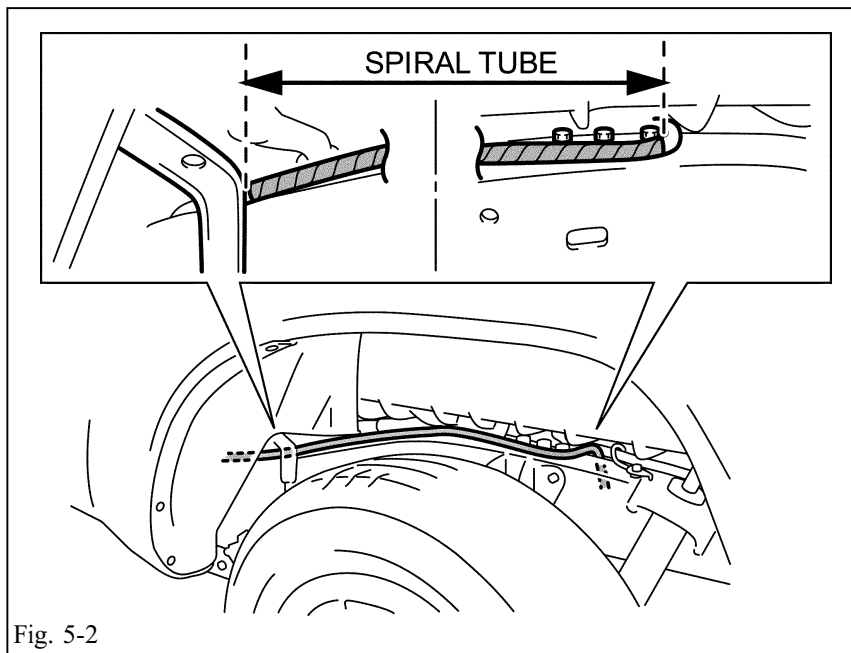


Fig. 5-2

(b) Positioning of wire harness

- (1) Route the wire harness spiral tube to the position in the figure. (Fig. 5-2)

(c) Securing the wire harness  
(Underside of vehicle )

- (1) Install the wire harness plastic ties as shown in the figure. Use the amount of ties listed in the table below. (Fig. 5-3A) (Fig. 5-3B)

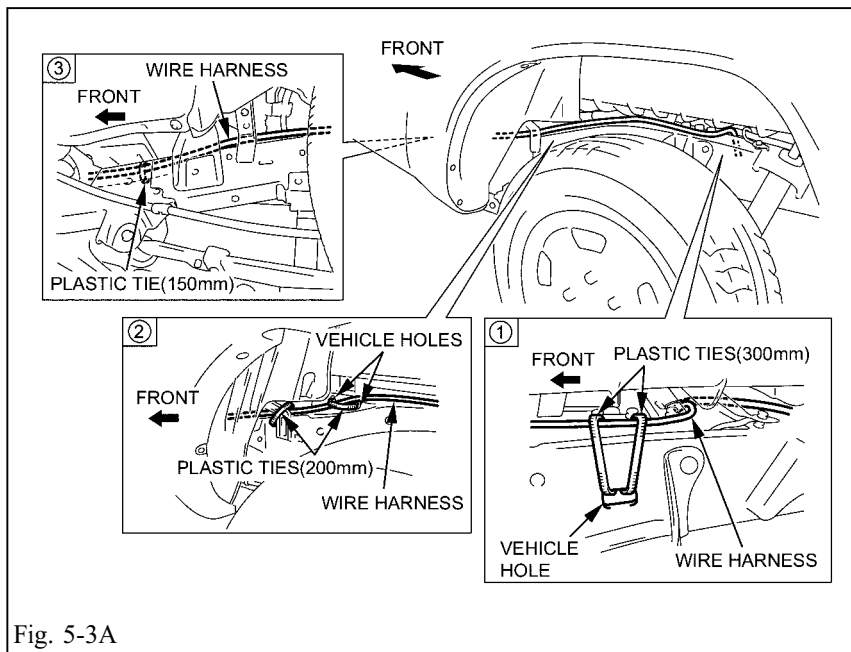
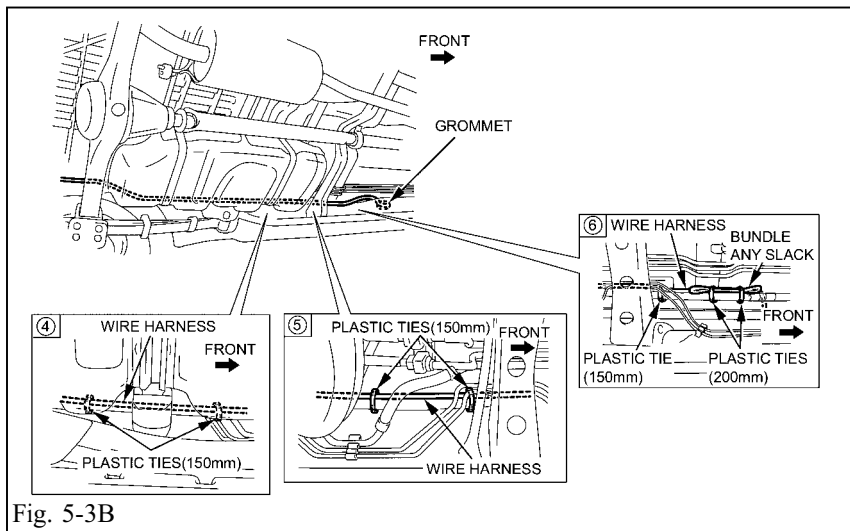


Fig. 5-3A

PLASTIC TIES	
SIZE	QTY
150	1
200	2
300	2



PLASTIC TIES	
SIZE	QTY
150	5
200	2
300	0

Fig. 5-3B

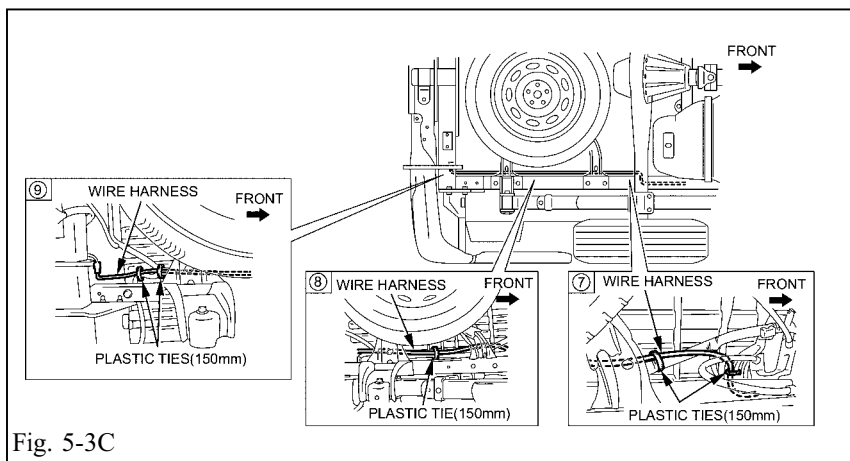


Fig. 5-3C

**⚠** (2) Secure the wire harness so that it does not interfere with the brake pipe, fuel pipe, and others. Use the amount of ties listed in the table below. (Fig. 5-3C)

PLASTIC TIES	
SIZE	QTY
150	5
200	0
300	0

**6. D-cab (Super Long) truck under bed section**

(a) Routing of wire harness  
(Underside of vehicle)

(1) Route the wire harness (4P) as shown in the figure.  
(Fig. 6-1A) (Fig. 6-1B)

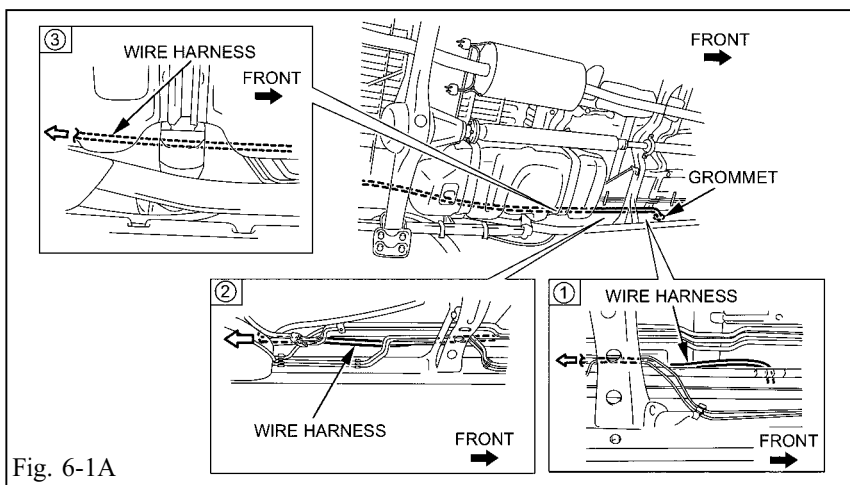


Fig. 6-1A

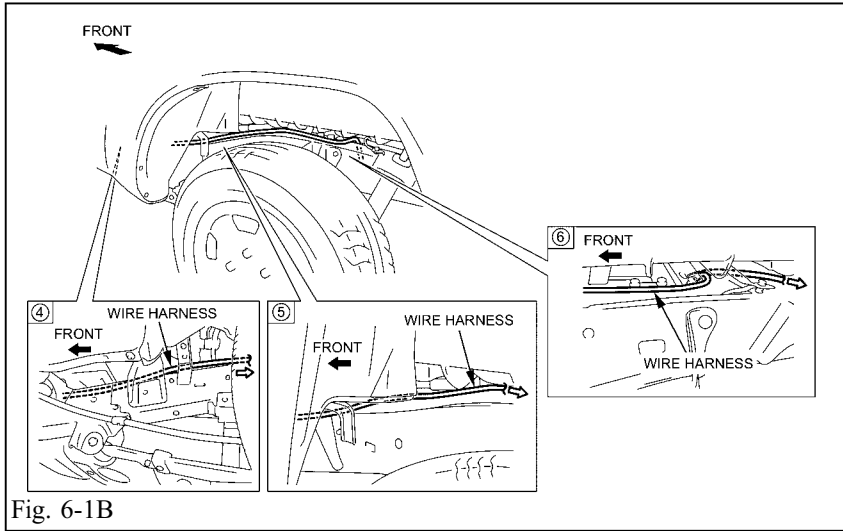


Fig. 6-1B

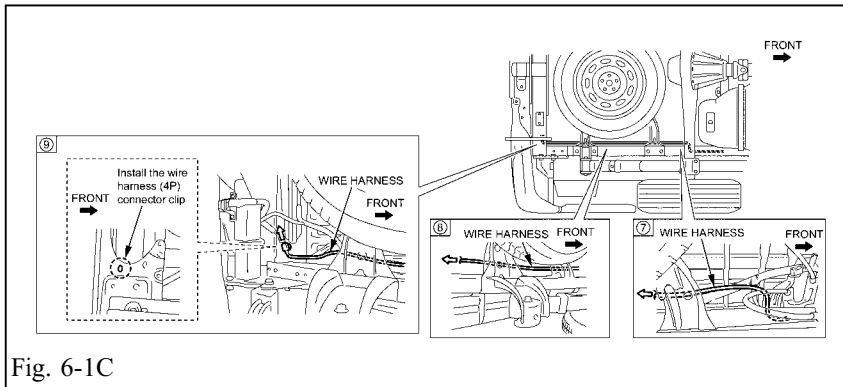


Fig. 6-1C

- ⚠ (2) Install the wire harness (4P) connector clip to the position illustrated. (Fig. 6-1C)

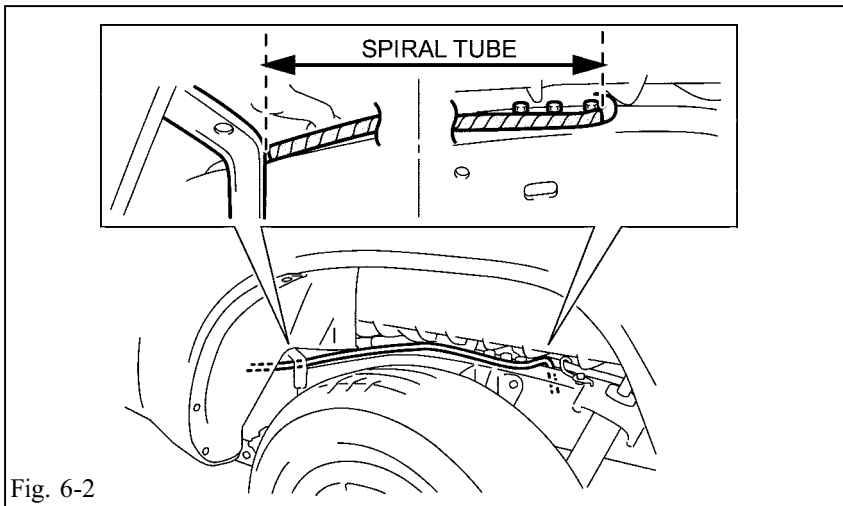


Fig. 6-2

- (b) Positioning of wire harness
  - (1) Route the wire harness spiral tube to the position in the figure. (Fig. 6-2)

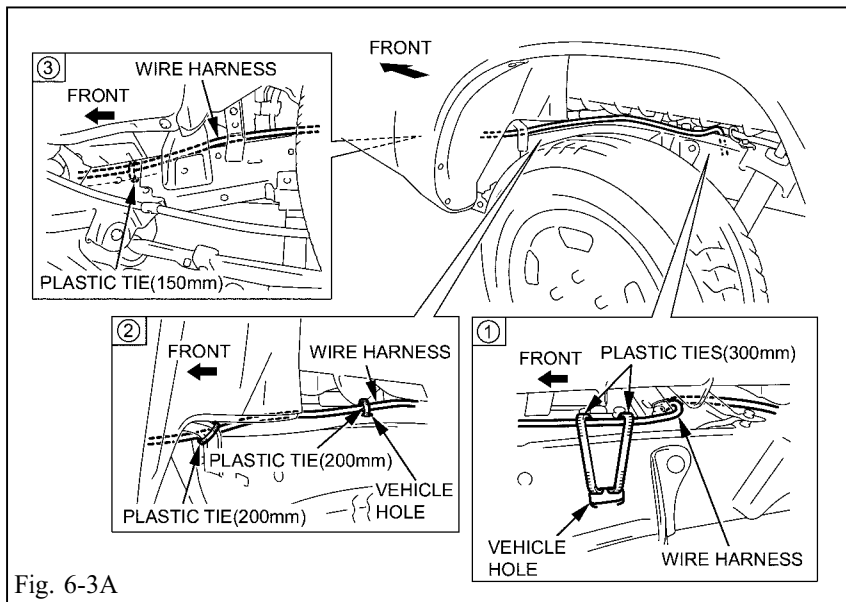


Fig. 6-3A

(c) Securing the wire harness  
(Underside of vehicle)

- (1) Install the wire harness plastic ties as shown in the figure. Use the amount of ties listed in the table below. (Fig. 6-3A) (Fig. 6-3B)

PLASTIC TIES	
SIZE	QTY
150	1
200	2
300	2

PLASTIC TIES	
SIZE	QTY
150	6
200	2
300	0

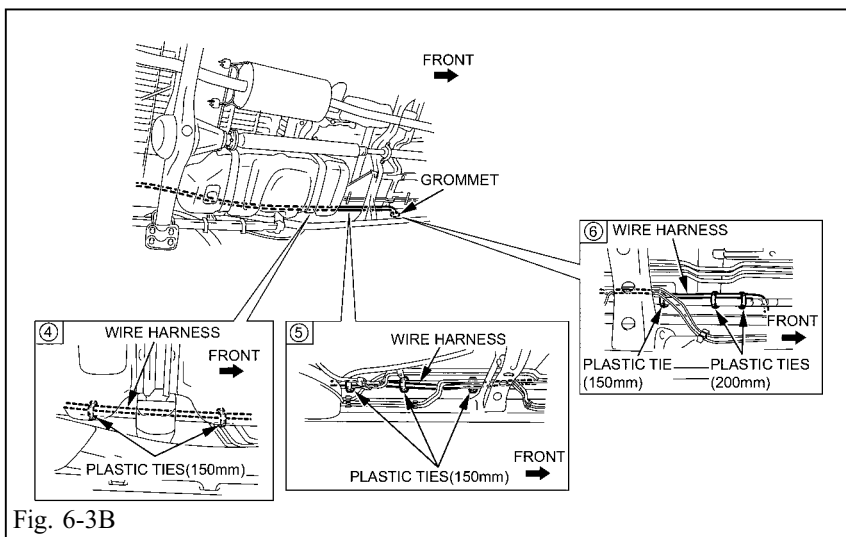


Fig. 6-3B

- (2) Fix the wire harness so that it does not interfere with the brake pipe, fuel pipe, and others. (Fig. 6-3C)

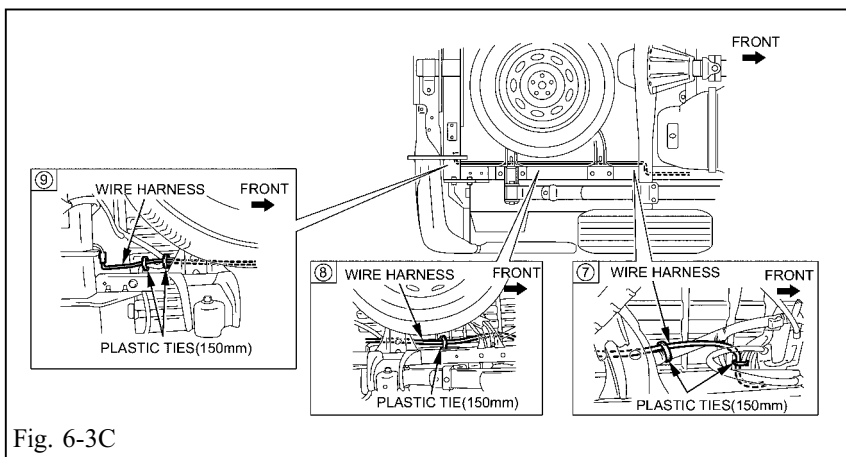


Fig. 6-3C

PLASTIC TIES	
SIZE	QTY
150	5
200	0
300	0

7. Securing sub wire harness

(a) Securing sub wire harness clip

- (1) Secure the sub wire harness clip to the trailer hitch plug. (Fig. 7-1)

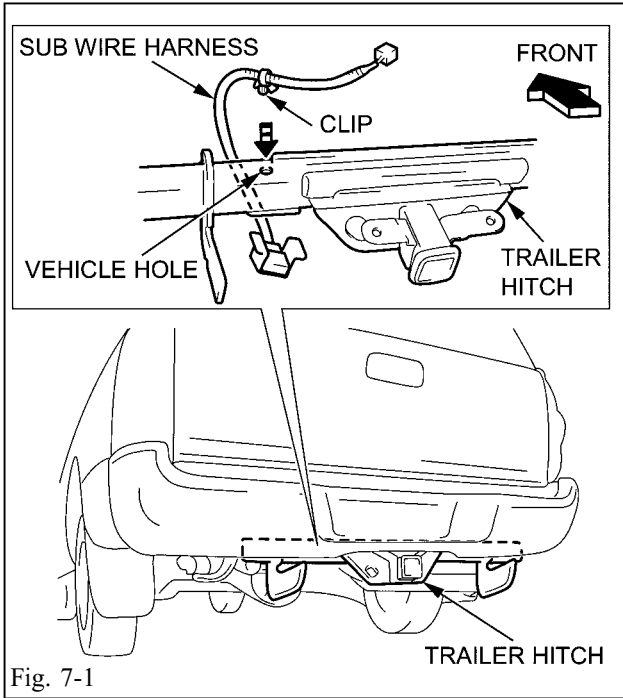


Fig. 7-1

(b) Fastening flat (4P) connector

- (1) Fasten flat (4P) connector with 2 bolts (M5) (included in kit). (Fig. 2-7-2)

- ⚠ (2) Torque bolts to: 3.9 N-m [36 lbf-in] (Fig. 7-2)

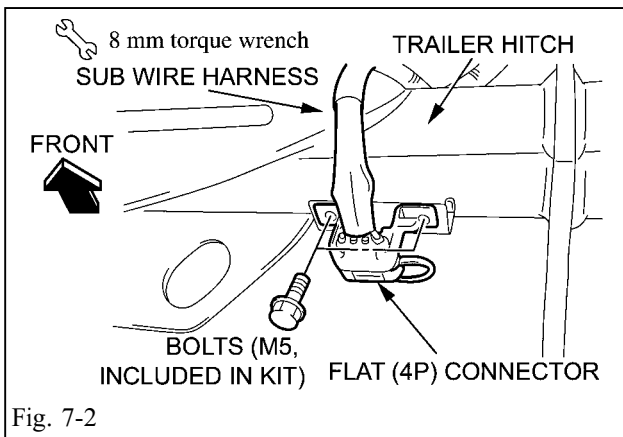


Fig. 7-2

(c) Connecting the wire harness (4P) to the sub wire harness (4P)

- (1) Connect the wire harness (4P) to the sub-wire harness connector (4P). (Fig. 7-3)

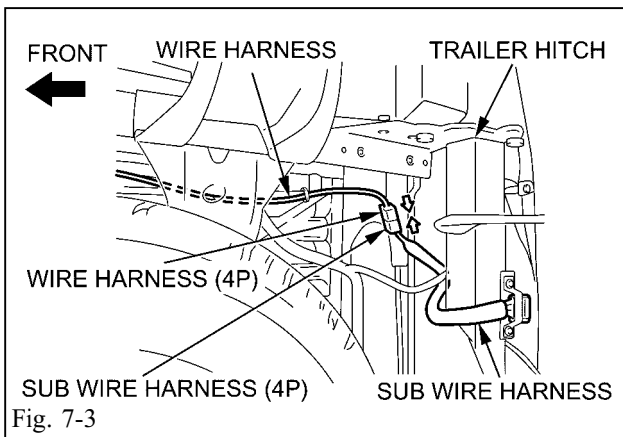
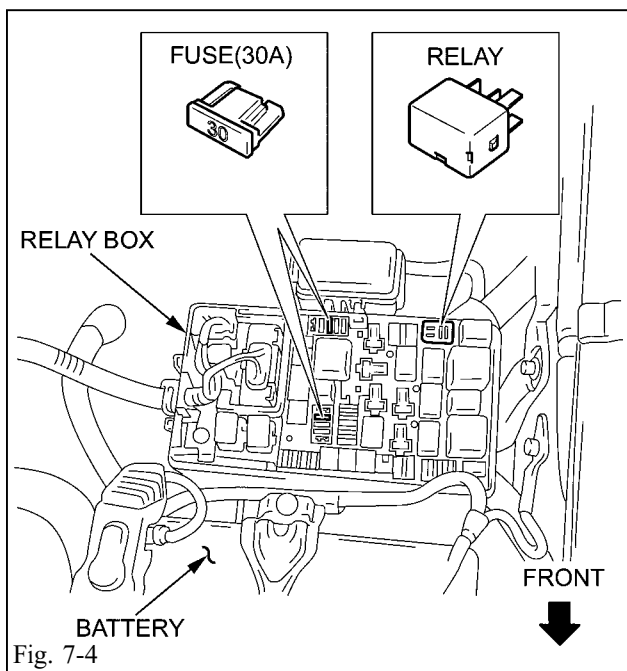


Fig. 7-3





(d) Fuse (30A) and towing tail relay installation.

(1) Install two fuses (30A) of the kit at the position in the figure on the left.

(Fig. 7-4)

(2) Install the towing tail relay to position in the figure on the left. (Fig. 7-4)


 (3) Pay attention to the following points when handling the towing tail relay.

 (i) Avoid striking the towing tail relay.


- Never use a relay that has been dropped.

- Do not strike or use undue force when installing the towing tail relay to the vehicle.

It may damage the towing tail relay.

 (ii) Do not touch the terminal directly with fingers.


Contamination of any oils or grease may impair the operation of the towing tail relay. (Including oils from hands.)


 (iii) Do not apply lubrication oil or grease to the terminal.

The terminal generates heat and it may lead to internal overheating and failure.

(e) Put Owner's Manual into the glove box.

(f) Reconnect the vehicle's negative battery cable at a 45° angle. (Fig. 7-5)

 (1) Torque nut to: 4.1 N-m [36lbf-in] (Fig. 7-4)

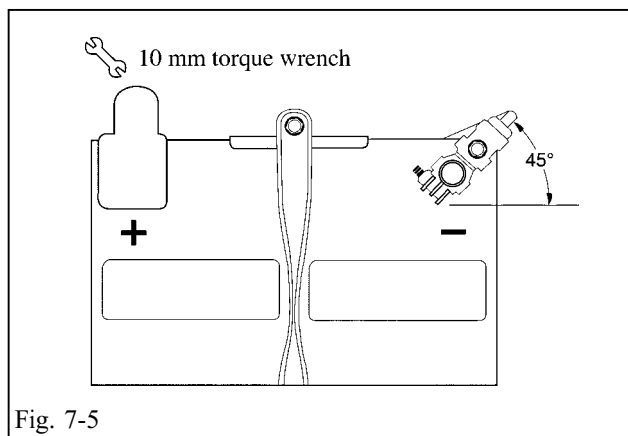
 (2) Be careful not to touch the positive battery terminal. (Fig. 7-5)

(g) Reinstallation

(1) Reinstall all temporarily removed parts.

(h) Function check

(1) Perform functional verification.



**TOYOTA TACOMA 2005 - TRAILER WIRE HARNESS**

Checklist - these points **MUST** be checked to ensure a quality installation.

<u>Check:</u>	<u>Look for:</u>
<p><u>Accessory Function Checks</u></p> <ul style="list-style-type: none"><li><input type="checkbox"/> Faults in the wiring harness installation.</li><li><input type="checkbox"/> Converter mounting.</li><li><input type="checkbox"/> Wire harness.</li><li><input type="checkbox"/> Plastic tie locations.</li></ul>	<ul style="list-style-type: none"><li>Correct routing of the wire harness.</li><li>Pushing or pulling of the converter by any outside force.</li><li>Pinching of the wire harness.</li><li>Positioning of the plastic tie locations.</li></ul>
<p><u>Vehicle Function Checks</u></p> <ul style="list-style-type: none"><li><input type="checkbox"/> Removed parts. With the Special Service Tool (SST) (Part Number 00002-62195) attached to the trailer sub wire harness plug and with the ignition in ON position perform the following steps:<ul style="list-style-type: none"><li><input type="checkbox"/> Turn on headlamps.</li><li><input type="checkbox"/> Turn on left turn signal.</li><li><input type="checkbox"/> Turn on right turn signal.</li><li><input type="checkbox"/> Apply foot brake.</li><li><input type="checkbox"/> Turn on left turn signal and apply foot brake.</li><li><input type="checkbox"/> Turn on right turn signal and apply foot brake.</li><li><input type="checkbox"/> Turn on hazard lights switch.</li></ul></li></ul>	<ul style="list-style-type: none"><li>Scratches or other damage.</li><li>Marker and tail lights on both SST and vehicle are lit.</li><li>Left turn lights on both SST and vehicle are flashing.</li><li>Right turn lights on both SST and vehicle are flashing.</li><li>Stop lights on both SST and vehicle are lit.</li><li>Left turn lights are flashing and right stop lights are lit on both SST and vehicle.</li><li>Right turn lights are flashing and left stop lights are lit on both SST and vehicle.</li><li>All turn signal lights are flashing on both SST and vehicle.</li></ul>

**TOYOTA TACOMA 2005 - TRAILER WIRE HARNESS**

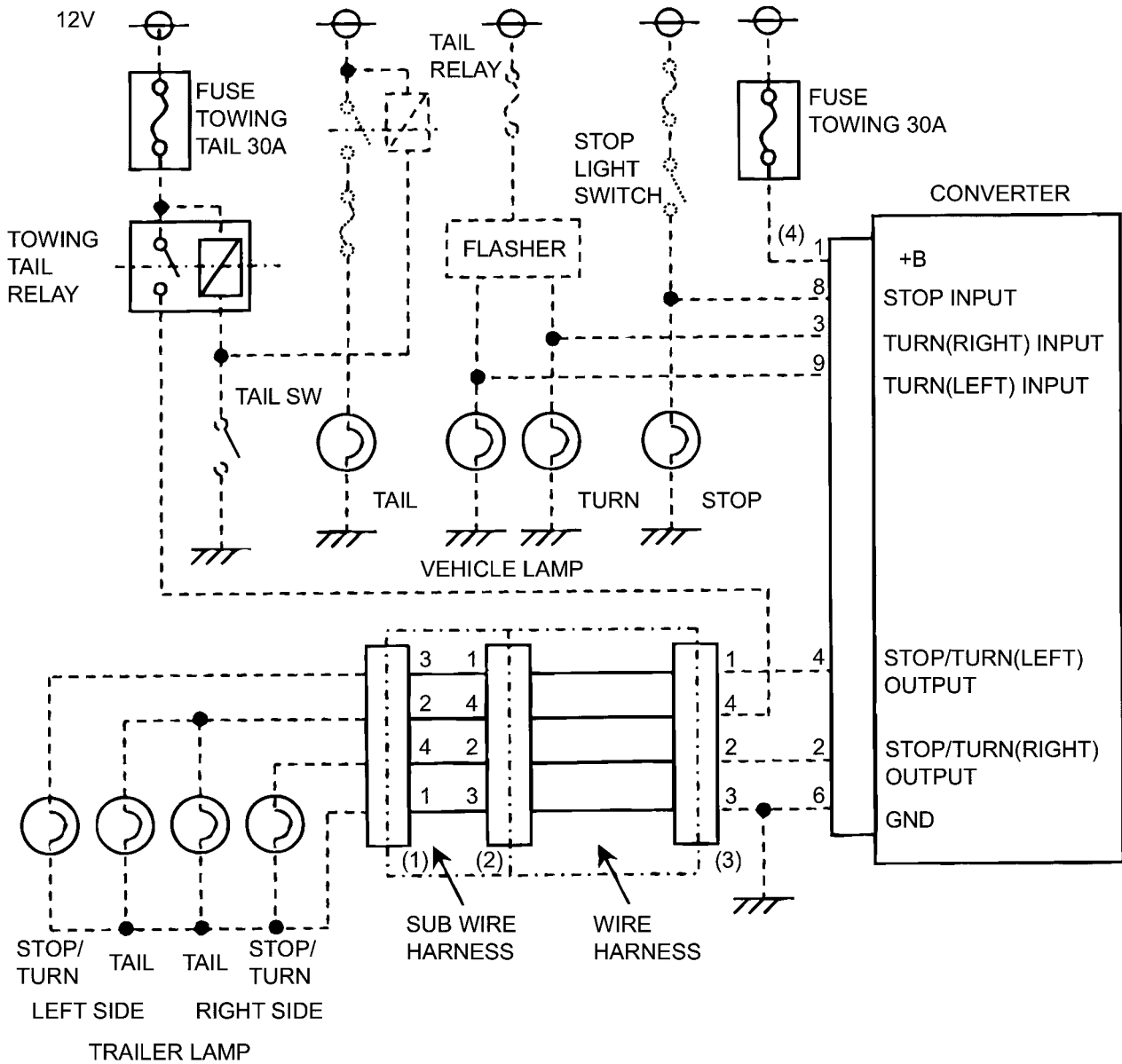
Checklist - these points **MUST** be checked to ensure a quality installation.

Check:

- With hazard lights switch on, apply the foot brake.
  
- Turn off the hazard light switch, apply the foot brake.  
The following checks are to be performed with the ignition switch off.
  
- Turn on headlamps.
  
- Apply foot brake.
- Turn on left turn signal.
  
- Turn on right turn signal.
  
- Turn on left turn signal and apply foot brake.
- Turn on right turn signal and apply foot brake.
  
- With hazard lights switch on, apply the foot brake.
  
- Turn off the hazard light switch, apply foot brake.

Look for:

- Both stop lights on the vehicle are lit, both turn/stop lights on the SST and the turn lights on the vehicle are flashing.
  
- Both turn/stop lights on the SST and the stop lights on the vehicle are lit.
  
  
- Marker and tail lights on both SST and vehicle are lit.
  
- Stop lights on both SST and vehicle are lit.
  
- Left turn lights are not lit on both SST and vehicle.
  
- Right turn lights are not lit on both SST and vehicle.
  
- Both stop lights are lit and not flashing on both SST and vehicle.
  
- Both stop lights are lit and not flashing on both SST and vehicle.
  
- All turn signal lights are flashing on both SST and vehicle.
  
- Both stop lights on the vehicle and the turn/stop lights on the SST are lit, but not flashing.



CONNECTOR(FEMALE)

