

Part Number: PT276-35050

Kit Contents

| Item # | Quantity Reqd. | Description |
|--------|----------------|-------------------------------|
| 1 | 1 | Spare Tire Lock |
| 2 | 1 | Key |
| 3 | 1 | Slotted Washer |
| 4 | 1 | Adapter Shroud |
| 5 | 1 | Order Form |
| 6 | 1 | Installation Instruction Card |
| 7 | 1 | Customer Notice Card |
| 8 | 1 | Envelope |
| 9 | 1 | ID Card |
| | | |

Hardware Bag Contents

| Item # | Quantity Reqd. | Description |
|--------|----------------|-------------|
| 1 | | |
| | | |

Additional Items Required For Installation

| Item # | Quantity Reqd. | Description |
|--------|----------------|-------------|
| 1 | | |
| | | |

Conflicts

| |
|--|
| |
|--|

Recommended Tools

| | |
|--|--------------|
| Personal & Vehicle Protection | Notes |
| None | |
| Special Tools | Notes |
| None | |
| Installation Tools | Notes |
| Hooked Jack Handle | |
| Rubber Mallet | |
| Special Chemicals | Notes |
| None | |

General Applicability

| |
|--|
| |
|--|

Recommended Sequence of Application

| Item # | Accessory |
|--------|-----------|
| 1 | |
| 2 | |
| 3 | |
| | |







*Mandatory

NOTE: Part number of this accessory may not be the same as the part number shown.

Vehicle Service Parts (may be required for reassembly)

| Item # | Quantity Reqd. | Description |
|--------|----------------|-------------|
| 1 | | |
| 2 | | |
| 3 | | |
| | | |

Legend

| | |
|---|---|
|  | STOP: Damage to the vehicle may occur. Do not proceed until process has been complied with. |
|  | OPERATOR SAFETY: Use caution to avoid risk of injury. |
|  | CAUTION: A process that must be carefully observed in order to reduce the risk of damage to the accessory/vehicle. |
|  | TOOLS & EQUIPMENT: Used in Figures calls out the specific tools and equipment recommended for this process. |
|  | REVISION MARK: This mark highlights a change in installation with respect to previous issue. |
|  | SAFETY TORQUE: This mark indicates that torque is related to safety. |

Procedure

Care must be taken when installing this accessory to ensure damage does not occur to the vehicle. The installation of this accessory should follow approved guidelines to ensure a quality installation.

These guidelines can be found in the "Accessory Installation Practices" document.

This document covers such items as:-

- Vehicle Protection (use of covers and blankets, cleaning chemicals, etc.).
- Safety (eye protection, rechecking torque procedure, etc.).
- Vehicle Disassembly/Reassembly (panel removal, part storage, etc.).
- Electrical Component Disassembly/Reassembly (battery disconnection, connector removal, etc.).

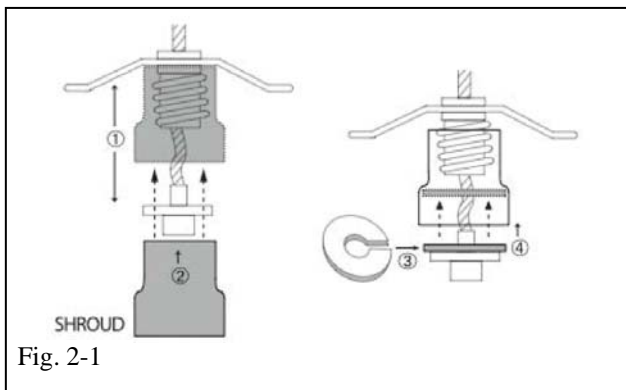
Please see your Toyota dealer for a copy of this document.

1. Lower Spare Tire.

- (a) Lower spare tire using hooked jack handle supplied in the vehicle tool kit.

2. Install Spare Tire Lock.

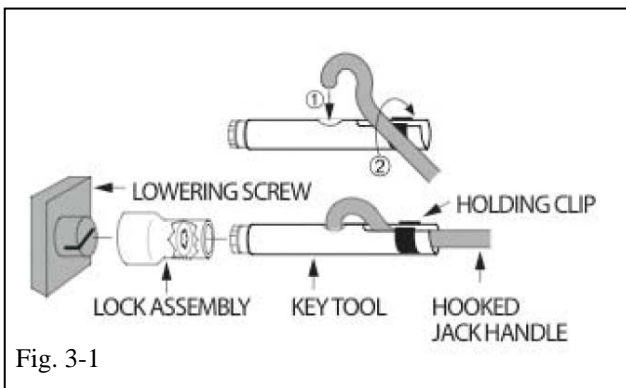
- (a) Install the spare tire lock assembly on the lowering screw by lining up the cross pin in the lock with the slot in the lowering screw.
- (b) Tap lock in place with a rubber mallet until it is fully seated. (Pull on lock to ensure attachment.)



- (c) Install adapter shroud (protects cable and spring) using slotted washer. (See Fig. 2-1)

3. Install Key on Hooked Jack Handle.

- (a) Install key on hooked jack handle, pressing the jack handle into the slot in the key until the clip snaps in place. (See Fig 3-1)



4. Complete the Installation.

(a) Using the key and the jack handle, place the key into the spare tire lock and turn until the patterns fully engage. Raise the tire to its stowed position.



(b) Remove the key from the jack handle and store it in the tool pouch for future use. Place the installation instruction card in the tool pouch with the key assembly.



(c) Place the ID card, return envelope, order form and customer notice card in the vehicle glove box.

TOYOTA TACOMA 2005 - SPARE TIRE LOCK

Checklist - these points **MUST** be checked to ensure a quality installation.

Check:

Look For:

Accessory Function Checks

- Correct part number has been installed
- Spare tire lock installation

- Spare tire stowage

Verify part number on package

Spare tire lock is fully seated in the lowering screw. Pull on lock to ensure attachment.

Tire is raised in its stowed position