

Part Number: PT767-35052

Kit Contents

| Item # | Quantity Reqd. | Description |
|--------|----------------|-----------------------|
| 1 | 1 | Side Storage Box Assy |
| | | |

Hardware Bag Contents

| Item # | Quantity Reqd. | Description |
|--------|----------------|-------------------------|
| 1 | 3 | M8 X 20 mm Hex Bolt |
| 2 | 3 | C-Channel Retainer |
| 3 | 3 | 1½" Flat Washer |
| 4 | 2 | Black Plastic Hole Plug |
| 5 | 2 | ¼" SAE Flat Washer |
| 6 | 1 | M6 X 25 mm Bolt |
| 7 | 1 | M6 Nylock Nut |
| 8 | 1 | Bracket |
| | | |

Additional Items Required For Installation

| Item # | Quantity Reqd. | Description |
|--------|----------------|-------------|
| 1 | None | |
| | | |

Conflicts

| |
|--------------|
| Camper Shell |
|--------------|

Recommended Tools

| Personal & Vehicle Protection | Notes |
|-------------------------------|--------------|
| None | |
| | |
| Special Tools | Notes |
| None | |
| | |
| Installation Tools | Notes |
| Socket | 13 mm |
| Socket | 10 mm |
| Ratchet | |
| Allen Wrench Bit | 4 mm |
| Torx Bit | T30 |
| Torque Wrench | 0-100 lbf-in |
| | |
| Special Chemicals | Notes |
| None | |
| | |

General Applicability

| |
|--|
| |
|--|

Recommended Sequence of Application

| Item # | Accessory |
|--------|-----------------------------------|
| 1 | Large Storage Box (if installed.) |
| 2 | Side Storage Box |
| | |


*Mandatory


NOTE: Part number of this accessory may not be the same as the part number shown.


Vehicle Service Parts (may be required for reassembly)


| Item # | Quantity Reqd. | Description |
|--------|----------------|-------------|
| 1 | None | |
| | | |


Legend

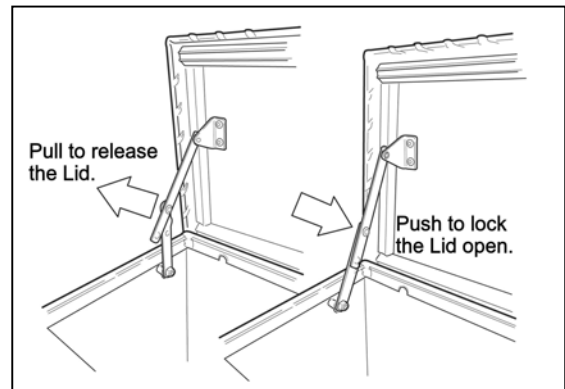
 **STOP:** Damage to the vehicle may occur. Do not proceed until process has been complied with.

 **OPERATOR SAFETY:** Use caution to avoid risk of injury.

 **CAUTION:** A process that must be carefully observed in order to reduce the risk of damage to the accessory/vehicle and to ensure a quality installation.

 **TOOLS & EQUIPMENT:** Used in Figures calls out the specific tools and equipment recommended for this process.

 To hold the Lid open the metal Lid Stay Brace must be locked in the straight position by pushing on it. To close the Lid, pull on the center of the Stay to release it.



Care must be taken when installing this accessory to ensure damage does not occur to the vehicle. The installation of this accessory should follow approved guidelines to ensure a quality installation.

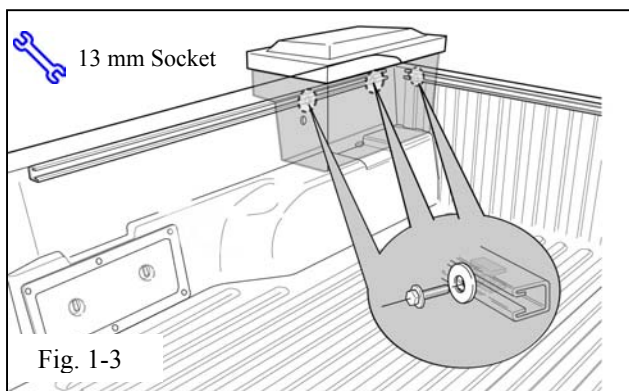
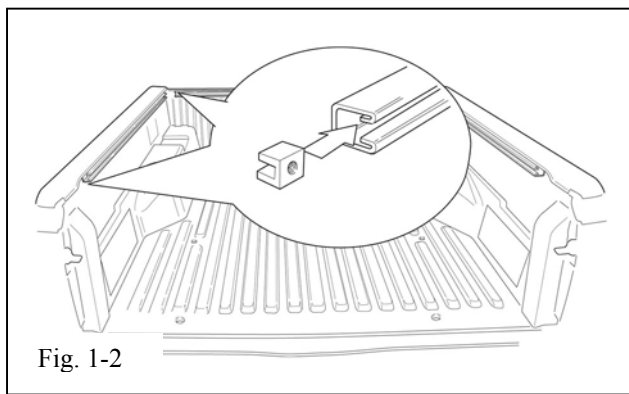
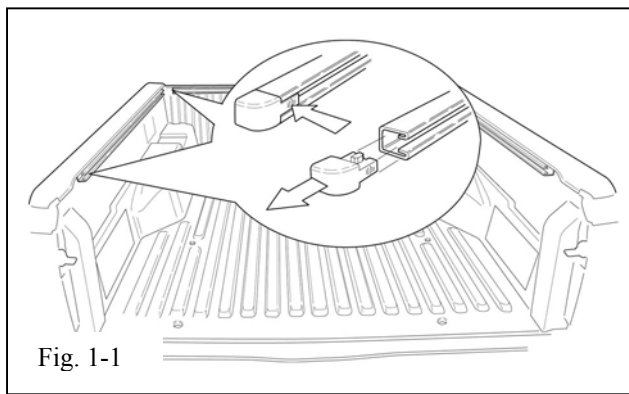
These guidelines can be found in the "Accessory Installation Practices" document.

This document covers such items as:-


- Vehicle Protection (use of covers and blankets, cleaning chemicals, etc.).
- Safety (eye protection, rechecking torque procedure, etc.).
- Vehicle Disassembly/Reassembly (panel removal, part storage, etc.).
- Electrical Component Disassembly/Reassembly (battery disconnection, connector removal, etc.).

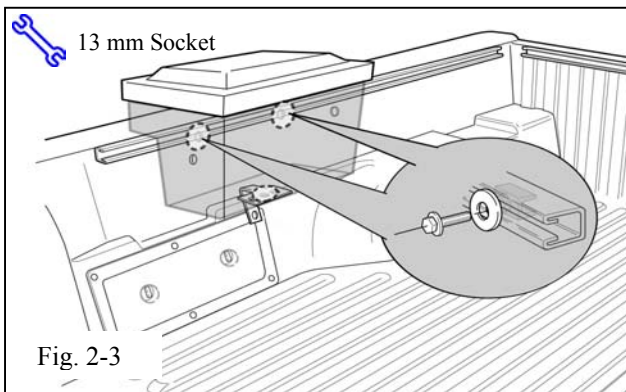
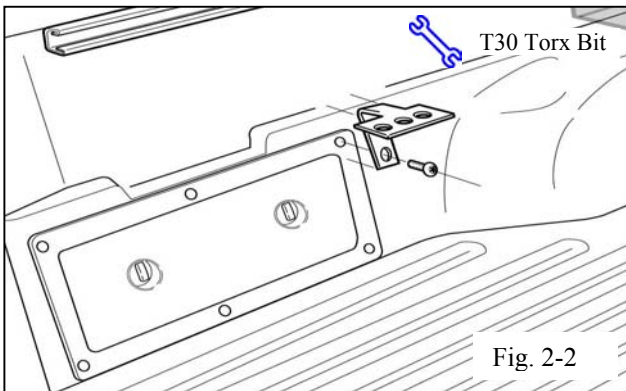
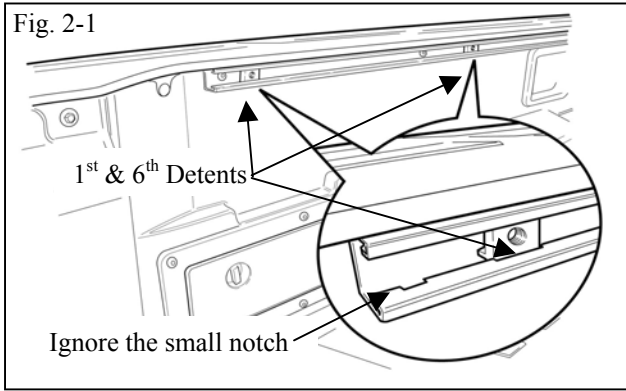
Please see your Toyota dealer for a copy of this document.

NOTE: PPO Installation is driver's side rear (Step 2.)



1. Front Position Installation.

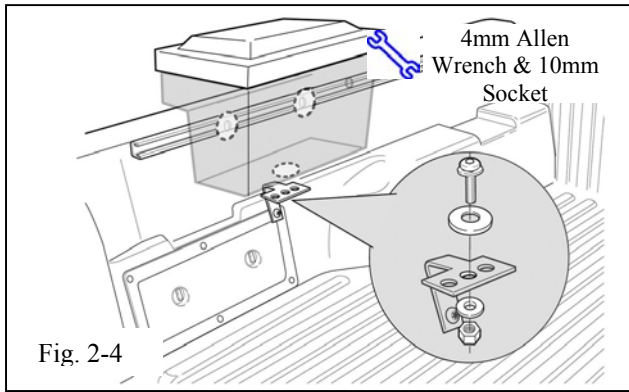
- (a) Decide if the Box will be mounted on the Driver or Passenger side of the bed.
- (b) Push on the end cap tab as shown and remove one end cap from the appropriate side rail and front rail. (Fig. 1-1)
- (c) Slide two c-channel retainers into the side rail and one c-channel retainer into the front rail. (Fig. 1-2)
- (d) Reinstall end caps.
- (e) Slide the three c-channel retainers so that they align with the three mounting holes in the sides of the box. (Fig.1-3)
- (f) Install the large washers on all three M8 mounting bolts. (Fig.1-3)
- (g) Set box on bedrail and insert the M8 bolts through the box and into the c-channel retainers.
-  (h) Tighten bolts with 13 mm socket to 88 lbf-in (9.9 N-m).
- (i) Insert one of the two plastic hole plugs into the unused end-mounting hole.
- (j) Place these instructions and the unused fasteners back in the hardware box and place this inside the storage box. Remove the keys



from the inside of the lid, lock the box and place the keys on the vehicle key ring.

2. Rear Position Installation.

- (a) Decide if the Box will be mounted on the Driver or Passenger side of the bed.
- (b) Remove the end cap from the appropriate side rail. (see Fig. 1-1 on previous page)
- (c) Slide two c-channel retainers into the side rail. (see Fig. 1-2 on previous page)
- (d) Reinstall the end cap.
- (e) Position the two c-channel retainers in the 1st & 6th detents as you count from the rear of the rail. When counting, ignore the small notch at the rear. The detents are spaced every 3.9" (100 mm) along the rail. (Fig. 2-1)
- (f) Remove top forward M6 screw of the vehicle bed side storage box frame and install bracket using the same screw that was removed. Snug the screw down but do not tighten completely. (Fig. 2-2)
- (g) Set box on bedrail aligning two c-channel retainers with the mounting holes in the box.
- (h) Install the large washers on two M8 mounting bolts. (Fig.2-3)
- (i) With the Lid open, insert side bolts and washers from the inside of box. (Fig. 2-3) Partially tighten the bolts, but leave them loose enough so that the box can still be moved fore and aft in the rail.



- (j) With the lid still open, slide the box fore and aft until you feel the channel retainers catch in a set of notches in the rail and so the slot in the bottom of the box aligns with a hole in the bracket. Insert the M6 screw with a small washer through slot in the bottom of the box and bracket. Fasten with another small washer and Nylock nut on the bottom. (Fig. 2-4)



- (k) Tighten the M8 bolts to 88 lbf-in (9.9 N-m) and the M6 screws to 44 lbf-in (5.0 N-m).
- (l) Insert the plastic hole plugs into each unused end-mounting hole.
- (m) Place these instructions and the unused fasteners back in the hardware box and place this inside the storage box. Remove the keys from the inside of the lid, lock the box and place the keys on the vehicle key ring.

Checklist - these points **MUST** be checked to ensure a quality installation.

Check: _____

Look For: _____

Accessory Function Checks

Properly installed

The storage box will not move when pushed and pulled on.

Extra mounting hardware and keys properly stowed.

The installation instructions and extra mounting fasteners should be inside the storage box, the storage box should be locked, and the box keys should be on the vehicle key ring.