

Preparation

**Part Number: PT767-35050**

**Kit Contents**

Item #	Quantity Reqd.	Description
1	1	Large Storage Box w/ Tray inside

**Hardware Bag Contents**

Item #	Quantity Reqd.	Description
1	2	M8 X 25 mm Bolt
2	1	M8 X 20 mm Bolt
3	3	C-Channel Retainer
4	7	1.5" Flat Washer
5	1	M6 X 25 mm Bolt
6	1	M6 Nylock Nut
7	2	M6 Flat Washer
8	1	Sliding Tray Stop

**Additional Items Required For Installation**

Item #	Quantity Reqd.	Description
1	None	

**Conflicts**

Camper Shell
--------------

**Recommended Tools**

Personal & Vehicle Protection	Notes
None	
Special Tools	Notes
Installation Tools	Notes
Allen Wrench	4 mm
Socket	10 mm
Socket	13 mm
Ratchet	
Torque Wrench	0-100 lbf-in
Special Chemicals	Notes
None	

**General Applicability**

All Tacoma Models
-------------------

**Recommended Sequence of Application**

Item #	Accessory
1	Large Storage Box
2	Side Storage Box
3	






\*Mandatory

**NOTE:** Part number of this accessory may not be the same as the part number shown.

**Vehicle Service Parts** (may be required for reassembly)

Item #	Quantity Reqd.	Description
1	None	

**Legend**

	<b>STOP:</b> Damage to the vehicle may occur. Do not proceed until process has been complied with.
	<b>OPERATOR SAFETY:</b> Use caution to avoid risk of injury.
	<b>CAUTION:</b> A process that must be carefully observed in order to reduce the risk of damage to the accessory/vehicle and to ensure a quality installation.
	<b>TOOLS &amp; EQUIPMENT:</b> Used in Figures calls out the specific tools and equipment recommended for this process.
	<b>REVISION MARK:</b> This mark highlights a change in installation with respect to previous issue.

Care must be taken when installing this accessory to ensure damage does not occur to the vehicle. The installation of this accessory should follow approved guidelines to ensure a quality installation.

These guidelines can be found in the "Accessory Installation Practices" document.

This document covers such items as:-

- Vehicle Protection (use of covers and blankets, cleaning chemicals, etc.).
- Safety (eye protection, rechecking torque procedure, etc.).
- Vehicle Disassembly/Reassembly (panel removal, part storage, etc.).
- Electrical Component Disassembly/Reassembly (battery disconnection, connector removal, etc.).

Please see your Toyota dealer for a copy of this document.

### 1. Storage Box Installation.

- (a) Remove three bed rail end caps. (Fig. 1-1)
- (b) Slide one C-Channel Retainer into each side rail and position them approximately 30" back from the front bed bulkhead. (Fig. 1-2)
- (c) Slide one C-Channel Retainer into the front rail and align with center rail mounting screw. (Fig. 1-2)



- (d) Reinstall end caps.
- (e) Open lid of Storage Box by pressing on one of the side release buttons. The front of the Storage Box is the side with the Lid hinge.

**NOTE:** Figs 1-3, 1-4, & 1-5 show the lid closed, although it will be open for installation.

- (f) Place the Large Storage Box onto the bed, forward against the front bulkhead rail, and then push it hard against passenger side of the truck bed. (Fig. 1-3)

**NOTE:** For this step, it is recommended that two people are used to place the Box in position.

**NOTE:** Because of build variations in the width of the Storage Box and the vehicle bed, the next step will determine how many of the 1.5" flat washers will be needed to shim between the sides of the Storage Box and the bed rails.

- (g) On the driver side, determine how many of the 1.5" diameter flat washers can be inserted between the side of the Storage Box and the bed rail. These will then be divided between

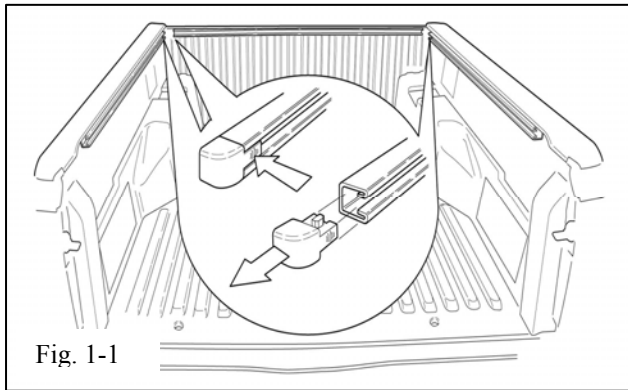


Fig. 1-1

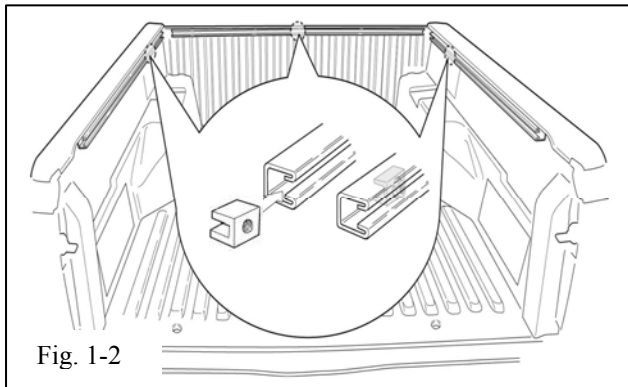


Fig. 1-2

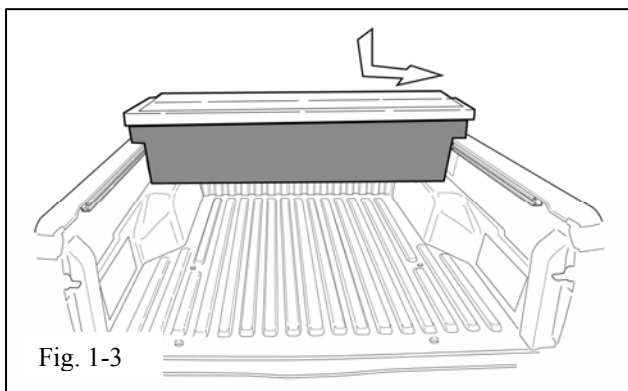
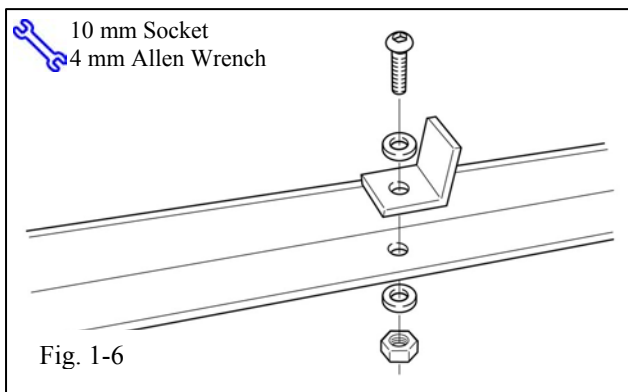
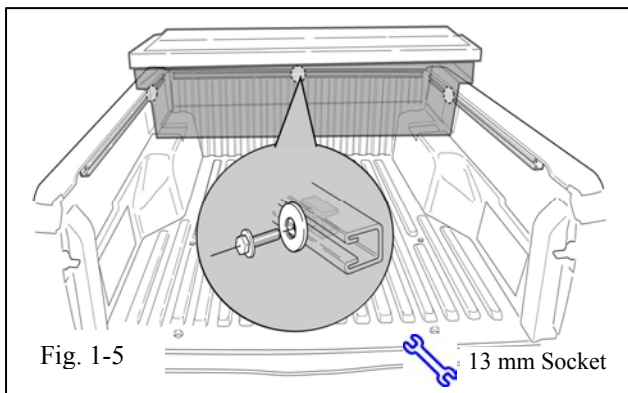
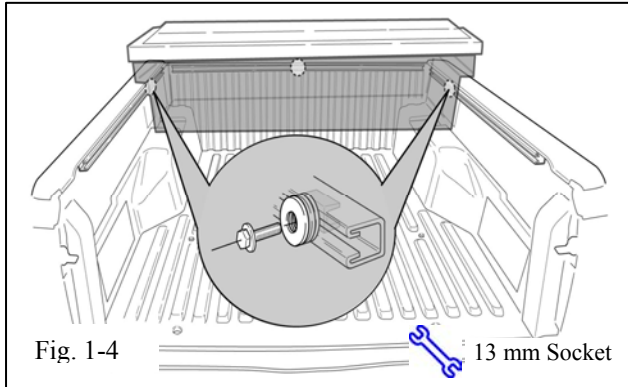


Fig. 1-3



the two sides of the box. As an example, if three (3) washers can be inserted in the gap between the box and rail, two (2) will be used on one side and one (1) on the opposite side of the box between the box and rail.

- (h) Carefully slide the C-Channel Retainers forward in the bed side rails so that they line up with the mounting slots in the sides of the Storage Box. A pointed pencil can be used to help align the Retainers with the slots.
- (i) On the driver side, insert one M8 X 25 mm bolt through a 1.5" washer and the mounting slot, while holding half of the shim washers between the box and the bed rail. (Fig. 1-4) Screw the bolt into the C-Channel Retainer a couple of turns to keep it in place.
- (j) Repeat the previous step on the passenger side.
- (k) Insert the M8 X 20 mm bolt through a 1.5" flat washer and front mounting slot. Screw into the center C-Channel Retainer in the front rail until finger tight. (Fig. 1-5)
- ⚠ (l) While keeping the Storage Box forward against the front rail, tighten all three M8 bolts with a 13 mm socket and tighten to 88 lbf-in (9.9 N-m). Start with the front bolt.
- ⚠ (m) On the front inside of the Storage Box is an aluminum angle that the tray slides on. The angle has a hole drilled in it toward each end. Bolt the Tray Stop to the RH hole using the M6 X 25 mm bolt, M6 washers and Nylock Nut. Tighten to 44 lbf-in (5.0 N-m) (Fig 1-6)
- (n) Place tray on right hand side of box.
- ⚠ (o) Remove the keys from inside the Storage Box, close and lock the Lid, and place the keys on the vehicle key ring.

**TOYOTA TACOMA 2005 - LARGE STORAGE BOX**

Checklist - these points **MUST** be checked to ensure a quality installation.

Check:

Look For:

Accessory Function Checks

- Securely Mounted.
  
- Keys properly stowed.

The Storage Box can not be moved when it is pushed and pulled on by hand.

Make sure the Box Keys are on the vehicle key ring.