

Part Number: 74102-02140

NOTE: Part number of this accessory may not be the same as the part number shown.

Kit Contents

Item #	Quantity Reqd.	Description
1	1	Ashtray
2	1	Installation Manual





Vehicle Service Parts (may be required for reassembly)

Item #	Quantity Reqd.	Description
1		
2		
3		

Hardware Bag Contents

Item #	Quantity Reqd.	Description
1		
2		
3		

Legend

	STOP: Damage to the vehicle may occur. Do not proceed until process has been complied with.
	OPERATOR SAFETY: Use caution to avoid risk of injury.
	CAUTION: A process that must be carefully observed in order to reduce the risk of damage to the accessory/vehicle and to ensure a quality installation.
	TOOLS & EQUIPMENT: Used in Figures calls out the specific tools and equipment recommended for this process.

Additional Items Required For Installation

Item #	Quantity Reqd.	Description
1		
2		
3		

Conflicts

--

Recommended Tools

Personal & Vehicle Protection	Notes
None	
Special Tools	Notes
None	
Installation Tools	Notes
None	
Special Chemicals	Notes
None	

General Applicability

--

Recommended Sequence of Application

Item #	Accessory
1	
2	
3	

*Mandatory

Care must be taken when installing this accessory to ensure damage does not occur to the vehicle. The installation of this accessory should follow approved guidelines to ensure a quality installation.

These guidelines can be found in the "Accessory Installation Practices" document.

This document covers such items as:-

- Vehicle Protection (use of covers and blankets, cleaning chemicals, etc.).
- Safety (eye protection, rechecking torque procedure, etc.).
- Vehicle Disassembly/Reassembly (panel removal, part storage, etc.).
- Electrical Component Disassembly/Reassembly (battery disconnection, connector removal, etc.).

Please see your Toyota dealer for a copy of this document.

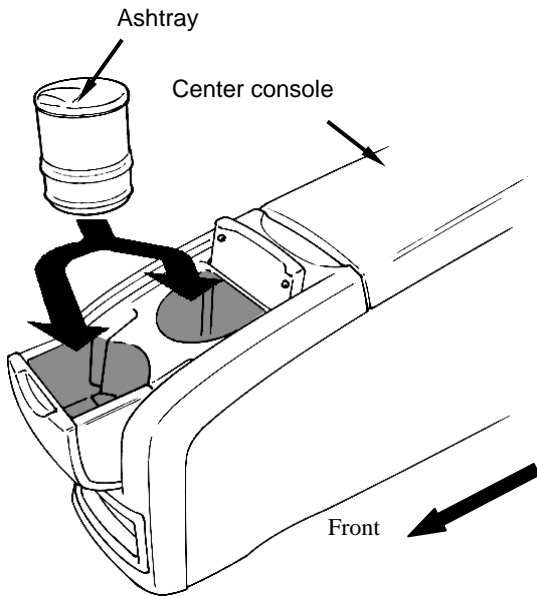


Fig. 1-1

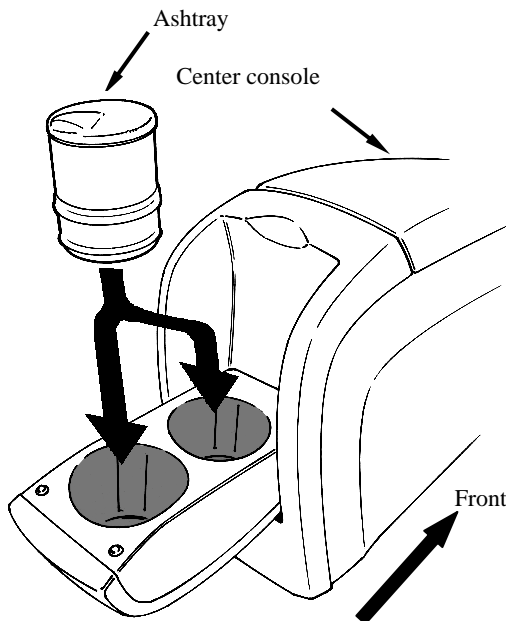


Fig. 2-1

1. Install the Ashtray (Front Cup Holder).

- (a) Insert the ashtray into the front cup holder of the center console. (Fig. 1-1)

2. Install the Ashtray (Rear Cup Holder).

- (a) Insert the ashtray into the rear cup holder of the center console (Fig. 2-1)

3. Caution.

- ⚠ (a) When not using the ashtray, close the door. While driving, a cigarette butt may drop out of the ashtray if it is left open.
- ⚠ (b) Make sure to put a cigarette butt into the ashtray after completely stubbing out the lighted cigarette and close the door. Failure to do so may cause a fire in the vehicle.
- ⚠ (c) Never put something inflammable such as wastepaper in the ashtray or a fire may be caused in the vehicle.
- ⚠ (d) Never drop the ashtray onto hard ground surface or damage may result.
- ⚠ (e) Never apply excessive force to the ashtray door when it is open or damage may result.
- ⚠ (f) Remove the ashtray slowly. Removing it quickly may cause a cigarette butt drop out of the ashtray.
- ⚠ (g) Open and close a vehicle door with the ashtray door closed. A cigarette butt may drop out of the ashtray if it is left open.

Checklist - these points **MUST** be checked to ensure a quality installation.

Check:

Look For:

Accessory Function Checks

Ash cup

Installed firmly in cup holder.