

Part Number: PT218-35059

Kit Contents

Item #	Quantity Reqd.	Description
1	2	Headrest cover
2	1	Driver side seat cover
3	1	Passenger side top cover
4	1	Passenger side bottom cover
5	1	Plastic strip
6	1	Installation Instructions

Hardware Bag Contents

Item #	Quantity Reqd.	Description
1		None

Additional Items Required For Installation

Item #	Quantity Reqd.	Description
1		None

Conflicts

DO NOT USE ON SEATS WITH OPTIONAL SEAT BOLSTER AIRBAGS

Recommended Tools

Personal & Vehicle Protection	Notes
None	
Special Tools	Notes
None	
Installation Tools	Notes
None	
Special Chemicals	Notes
None	

NOTE: Part number of this accessory may not be the same as the part number shown.

General Applicability

Applies to Regular Style Seats.

Recommended Sequence of Application





Item #	Accessory
1	
2	
3	

*Mandatory

Vehicle Service Parts (may be required for reassembly)

Item #	Quantity Reqd.	Description
1		
2		
3		

Legend

	STOP: Damage to the vehicle may occur. Do not proceed until process has been complied with.
	OPERATOR SAFETY: Use caution to avoid risk of injury.
	CAUTION: A process that must be carefully observed in order to reduce the risk of damage to the accessory/vehicle and to ensure a quality installation.
	TOOLS & EQUIPMENT: Used in Figures calls out the specific tools and equipment recommended for this process.

For technical assistance regarding this Toyota product, please call: 1-800-347-1200.

Engineered by Toyota to meet requirements. Please follow these installation instructions in the order they are written. It will make installing your custom made seat covers much easier. Your seat covers were designed to have a tight fit, and when fully installed they will be snug. Don't be afraid to tug.

Care must be taken when installing this accessory to ensure damage does not occur to the vehicle. The installation of this accessory should follow approved guidelines to ensure a quality installation.

These guidelines can be found in the "Accessory Installation Practices" document.

This document covers such items as:-

- Vehicle Protection (use of covers and blankets, cleaning chemicals, etc.).
- Safety (eye protection, rechecking torque procedure, etc.).
- Vehicle Disassembly/Reassembly (panel removal, part storage, etc.).
- Electrical Component Disassembly/Reassembly (battery disconnection, connector removal, etc.).

Please see your Toyota dealer for a copy of this document.

NOTE: Important, please observe the following precautions, the manufacturer cannot be responsible for damage.

1. Care of Seat Covers.



- (a) When soiled, remove seat cover, hand wash using a mild soap and water solution. (Approx. one tablespoon of soap per half gallon of water.)



- (b) Completely air-dry before reinstalling.



- (c) DO NOT use bleach!

2. Headrest Cover Installation.

- (a) Place headrest cover over top of headrest (Fig. 2-1.)
 - (1) Pull cover all the way down until the headrest is completely covered.
- (b) Adjust fit as necessary.

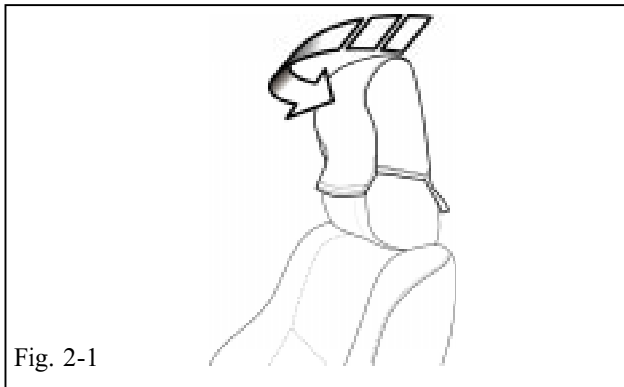


Fig. 2-1

- (c) Remove headrest. Push headrest release button and pull up on headrest (Fig. 2-2.)

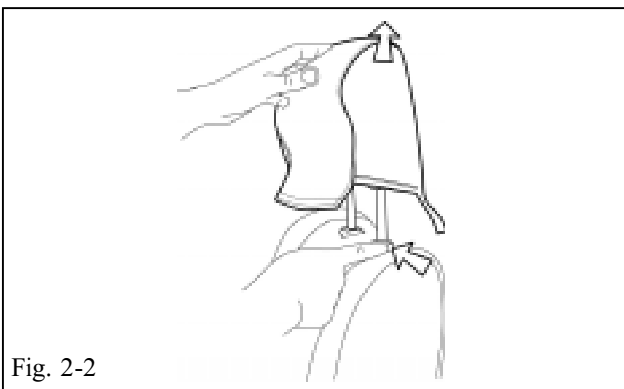


Fig. 2-2

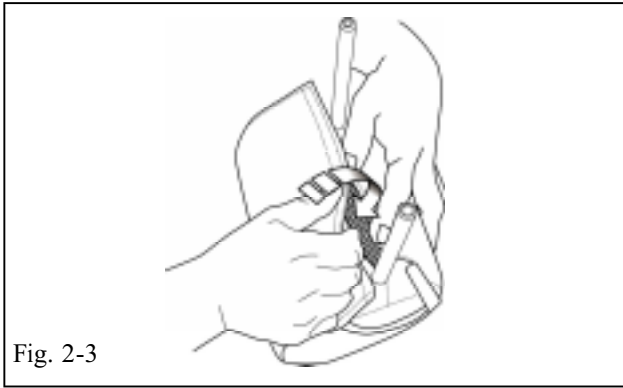


Fig. 2-3

- (d) Velcro the two sides of the headrest together at the center underneath the headrest (Fig. 2-3.)

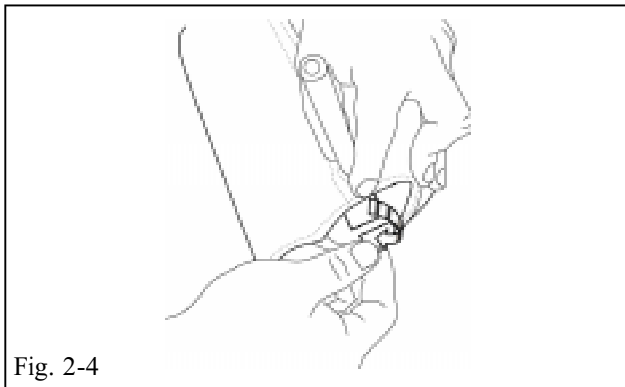


Fig. 2-4

- (e) Velcro the end of the headrest together (Fig. 2-4.) Repeat on other end of headrest.

3. Driver Side Seat Cover Installation.



Fig. 3-1

- (a) Look for label on the backside of the seat where the top and bottom meet. Check seat cover label to identify the driver side seat cover.
- (b) Place the driver's side seat cover over the top of the driver's seat (Fig. 3-1.)



Fig. 3-2

- (c) Pull the headrest post holes through the holes at the top of the seat cover (Fig. 3-2.)
 - (1) For ease of installation, start with the larger post hole.

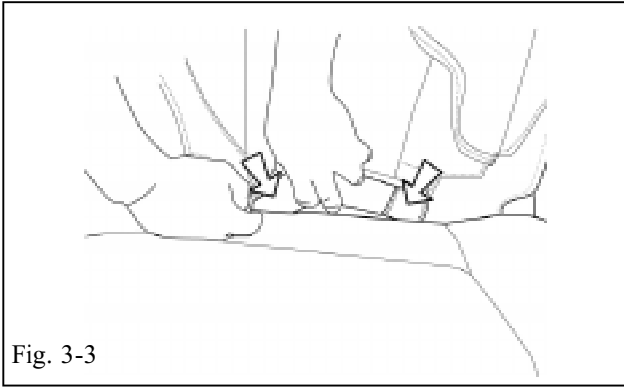


Fig. 3-3

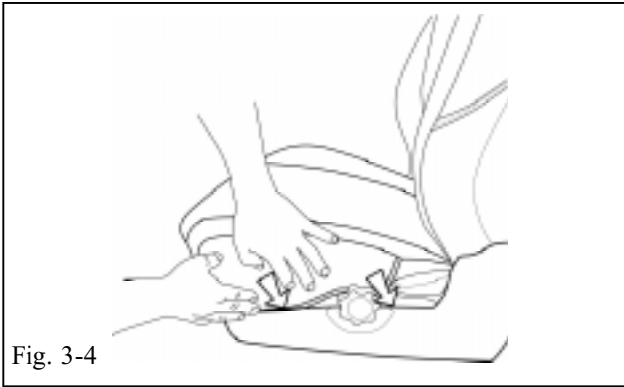


Fig. 3-4

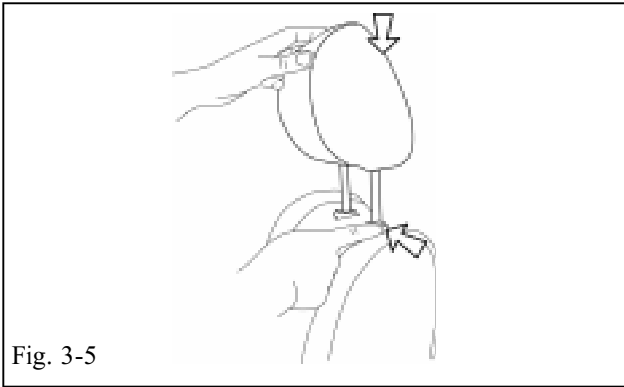


Fig. 3-5



Fig. 4-1

(d) Insert the wrapped tube in between the top and bottom of the seat (Fig. 3-3.)

(1) Insert the folded tube between top and bottom seat cushions. (Fig. 3-3)

(2) Push the tube in as far as possible to tighten the seat cover installation.

(3) Push left and right pieces of tube as far over to the outside edges of the seat as possible for a tight fitting cover.

(e) Tuck the seat cover around the bottom seat cushion (Fig. 3-4.)

(f) Replace the headrest (Fig. 3-5.)

4. Passenger Side Seat Cover Installation.

(a) Repeats steps 2. (a) through 2. (e) to install the headrest.

(b) Install top seat cover.

(1) Place the passenger side top seat cover over the top of the passenger seat (Fig. 4-1.)

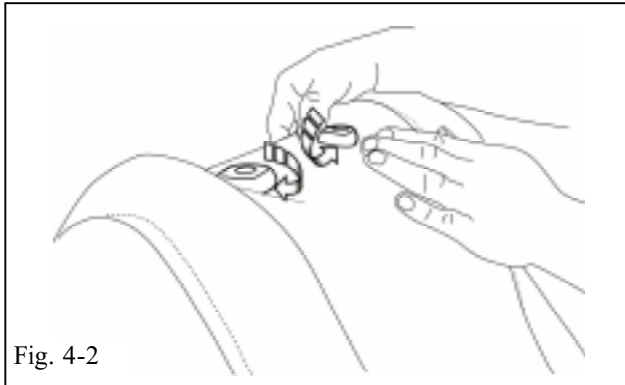


Fig. 4-2

- (c) Pull the headrest holes through the holes at the top of the seat cover (Fig. 4-2.)

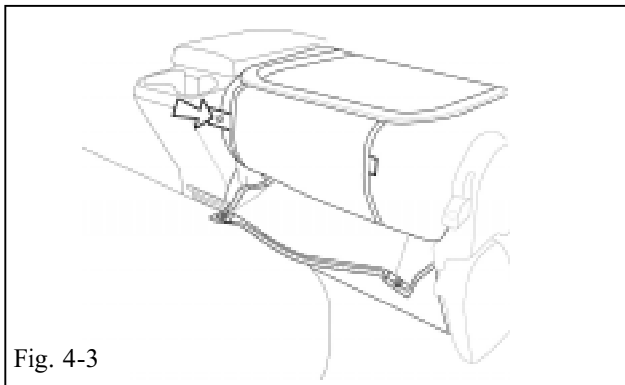


Fig. 4-3

- (d) Fold the passenger seat forward.
 - (1) At the rear of the passenger seat, insert the plastic strip through the slot of the seat material (Fig. 4-3.)

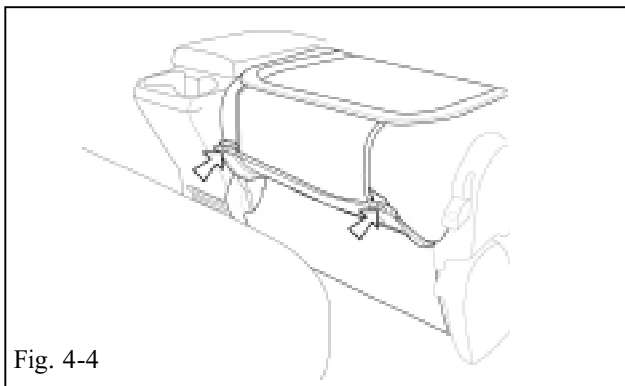


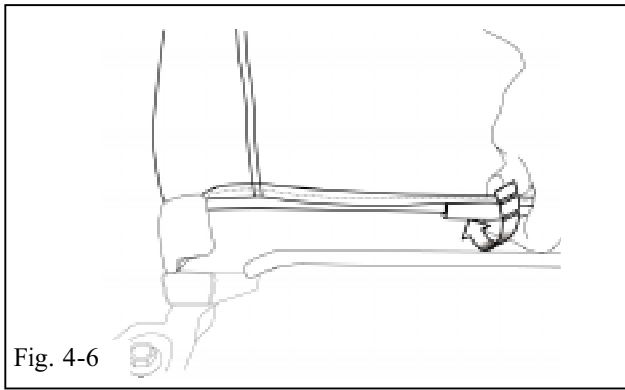
Fig. 4-4

- (e) Attach snaps from the seat cover to the plastic strip (Fig. 4-4.)

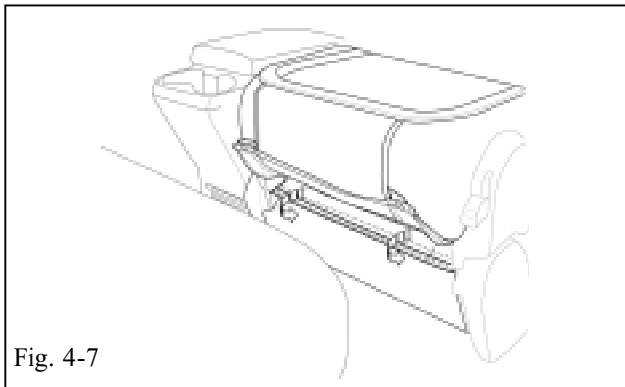


Fig. 4-5

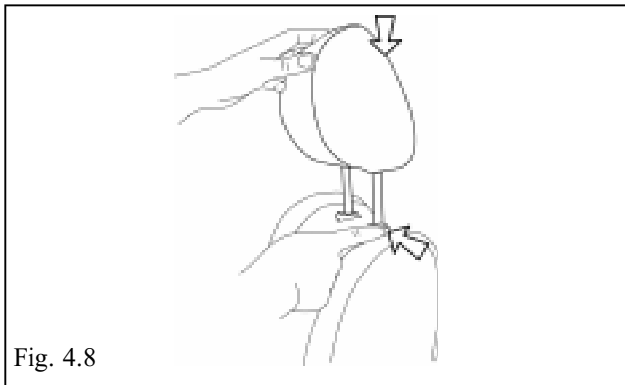
- (f) Install bottom seat cover.
 - (1) Place the bottom seat cover over the bottom seat cushion.
 - (2) Tuck the seat cover around the bottom seat cushion (Fig. 4-5.)



(g) Attach the plastic clip to the front edge of the bottom of the seat (Fig. 4-6.)



(h) Attach the bottom seat cover Velcro to the rear carpeted area of the passenger seat (Fig. 4-7.)



(i) Replace the headrest (Fig. 4-8.)

5. Installation Instructions.



(a) Place installation instructions in glove box for customer future reference.

Checklist - these points **MUST** be checked to ensure a quality installation.

Check:

Accessory Function Checks

- Seat covers are properly adjusted.

- Seat covers have proper fit.

- Seats move forward and back.

- Seats recline.

- Headrests can be adjusted.

Look For:

Straps have been properly tightened, and clips are tightly attached. Seat cover pattern is aligned straight.

Verify that there is no loose material and that the seat covers have a tight fit.

No interference of the seat cover to the seat track.

Seats recline and return with no interference.

Headrests can be adjusted to move up and down.