



**Technical Service
BULLETIN**

January 8, 2008

Title:

**REAR HVAC VENTS BLOW HOT AIR
WITH A/C "ON"**

Models:

'05 - '07 Avalon

TSB

AC002-08

HEATING & AIR CONDITIONING

TSB OBSOLETE NOTICE:

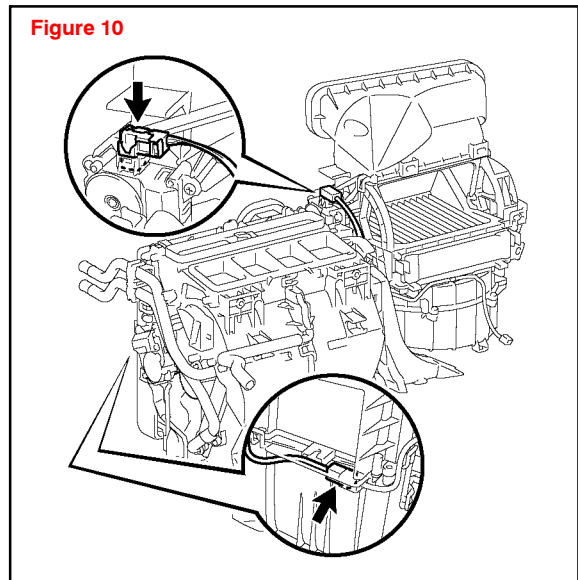
July 30, 2008: This TSB is now obsolete.

Please see T-SB-0143-08.



**Repair
Procedure**
(Continued)

- C. Connect the wire harness and install the connector and clamp.



10. Install the No. 2 air duct sub-assembly by engaging the 2 claws.

11. Install the air conditioning unit.

Refer to TIS:

- 2005 model year Avalon Repair Manual, *Vehicle Interior - Heating/Air Conditioning - "Blower Assy: Overhaul"*.
- 2006 or 2007 model year Avalon Repair Manual, *Vehicle Interior - Heating/Air Conditioning - "Air Conditioning: Air Conditioning Unit: Installation"*.

12. Verify the heater and air conditioner operate correctly with the air directed in each mode.

