



**Technical Service
BULLETIN**

March 3, 2006

Title:

TRAY BOX REPLACEMENT

Models:

'05 – '06 Avalon

TSB

REVISED

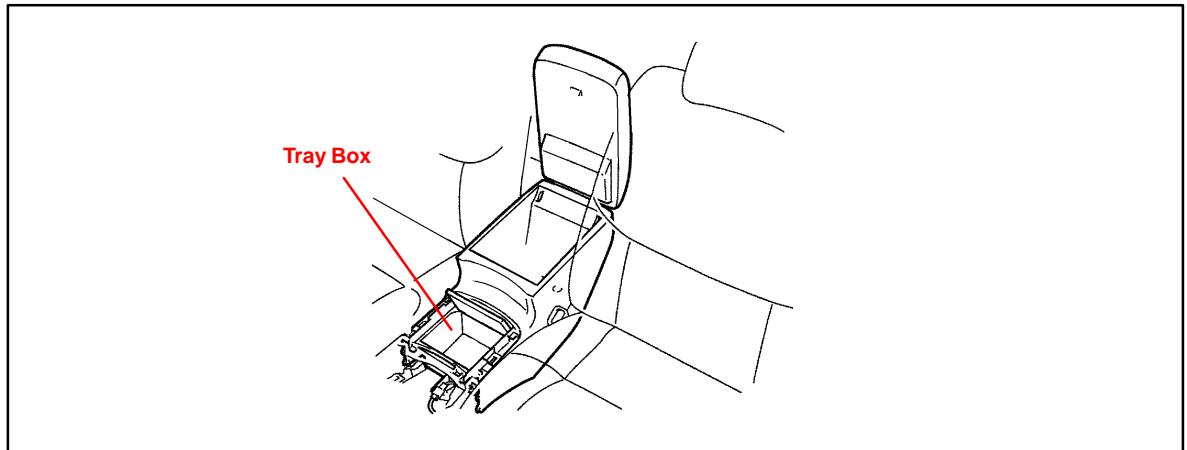
B0006-06

BODY

TSB REVISION NOTICE:

- November 16, 2006: The 2 separate Op Codes and Descriptions have been combined into one operation with one NEW Op Code and Description.
- October 30, 2006: The OFP in the Warranty Information table has been updated. Previous versions of this TSB should be discarded.

Introduction The tray box for the 2005 and 2006 model year Avalon is now available as a separate service part. Follow the attached procedures when replacing the tray box.



Applicable Vehicles • 2005 – 2006 model year **Avalon** vehicles (all trim levels).

Parts Information

PREVIOUS PART NUMBER	CURRENT PART NUMBER	PART NAME	QTY
N/A	58805-07010-##	Tray Box Sub-assembly	1

Warranty Information

OP CODE	DESCRIPTION	TIME	OFP	T1	T2
BD5041	R & R Rear Console Box and R & R Tray Box	0.6	58810-07020-##	87	83

Applicable Warranty*:

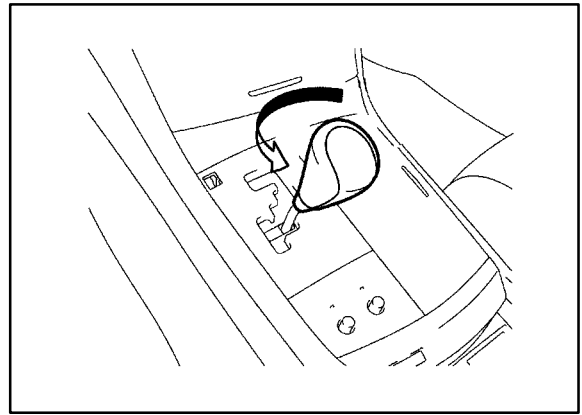
This repair is covered under the Toyota Comprehensive Warranty. This warranty is in effect for 36 months or 36,000 miles, whichever occurs first, from the vehicle's in-service date.

* Warranty application is limited to correction of a problem based upon a customer's specific complaint.

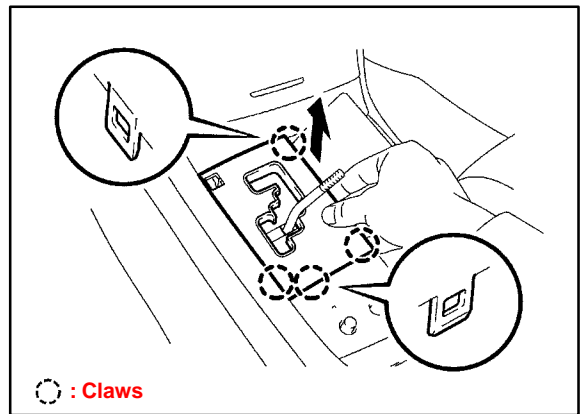


Repair Procedure

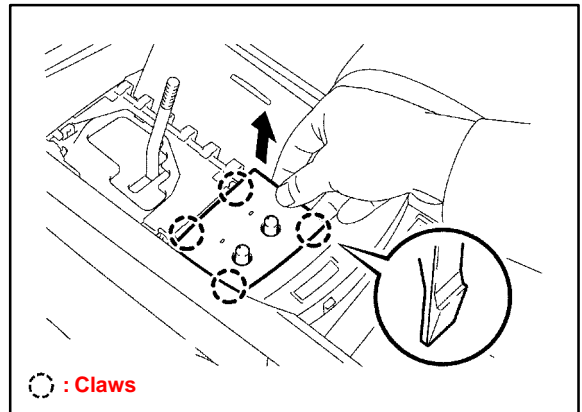
1. Remove shift lever knob sub-assembly.
Turn the shift lever knob sub-assembly in the direction indicated by the arrow and remove it.



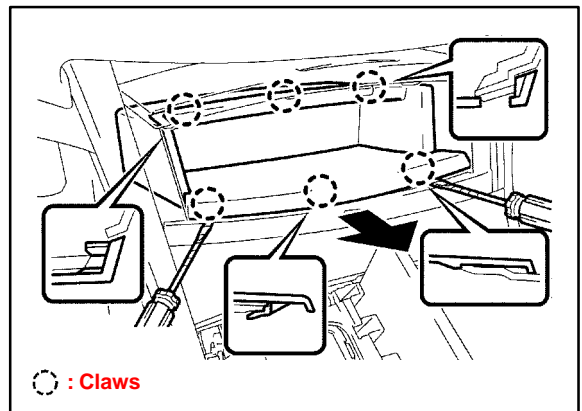
2. Remove position indicator housing assembly.
Disengage the 4 claws and remove the position indicator housing assembly.



3. Remove seat heater switch (for vehicles w/seat heater system).
Disengage the 4 claws and remove the seat heater switch.

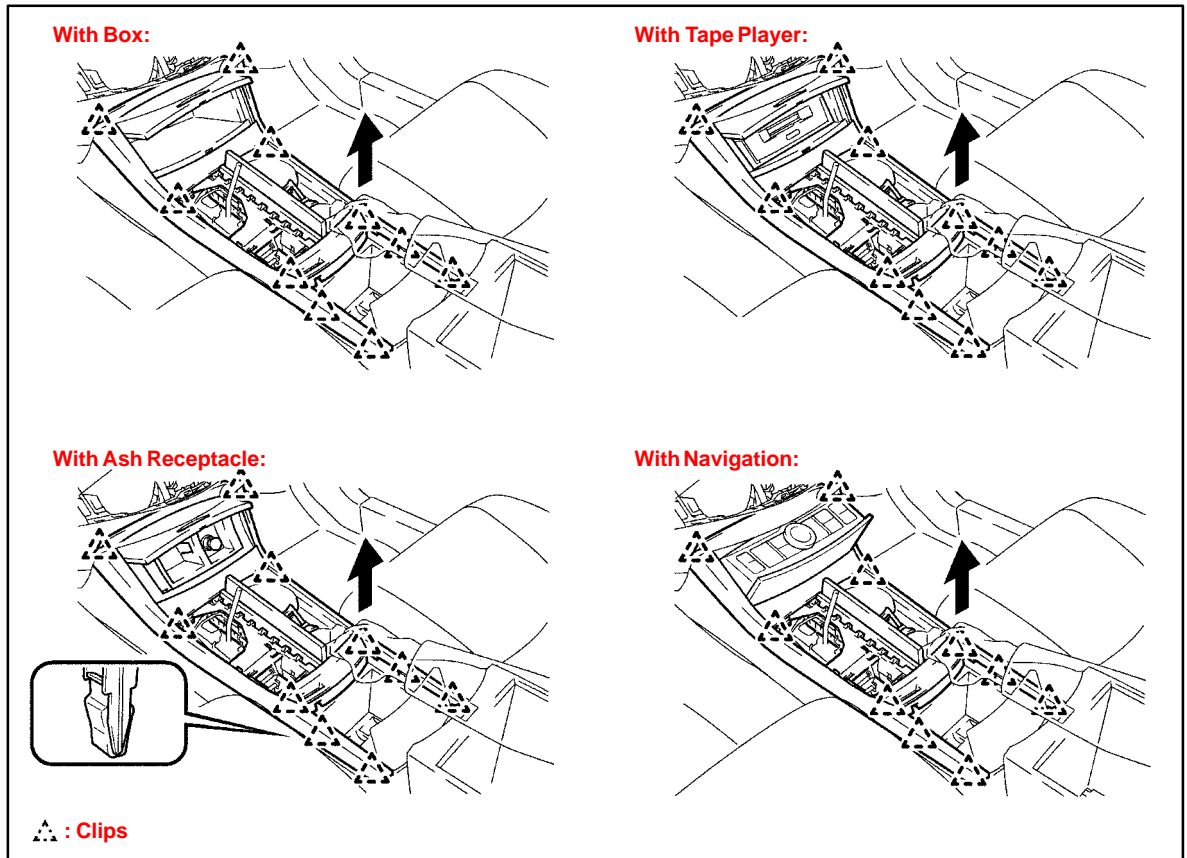


4. Remove console panel sub-assembly upper.
 - A. Disengage the 6 claws and remove the console upper box (with box).



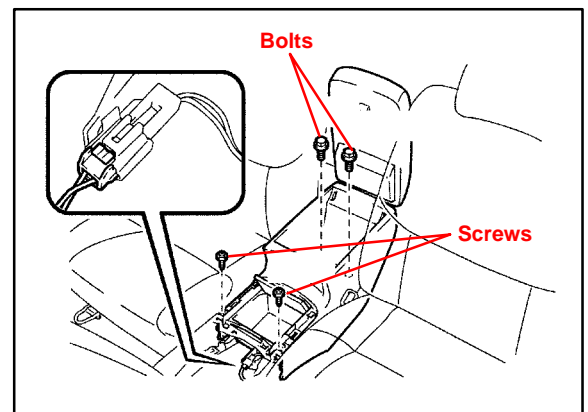
Repair Procedure
(Continued)

B. Disengage the 10 clips.



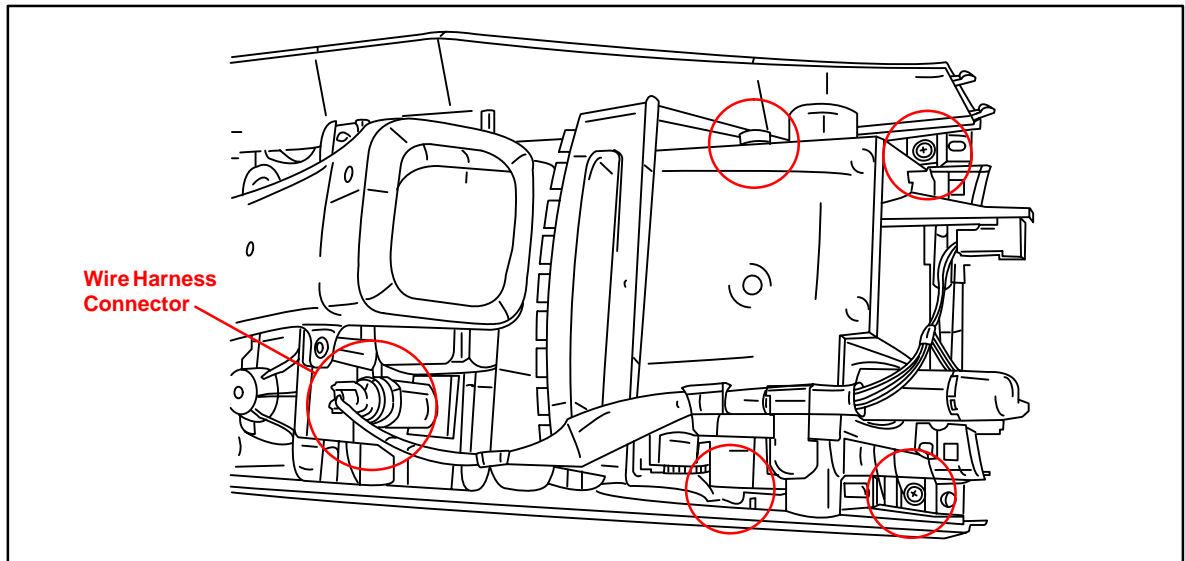
C. Disconnect the connectors and remove the console upper panel sub-assembly.

5. Remove console box carpet.
6. Remove console box assembly.
 - A. Disconnect the connector.
 - B. Remove the 2 bolts and 2 screws and then the console box assembly.

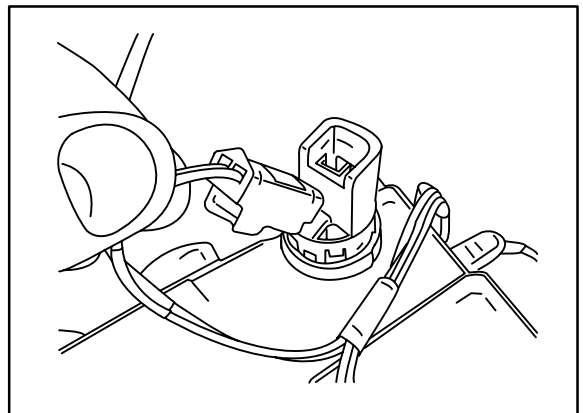


Repair Procedure
(Continued)

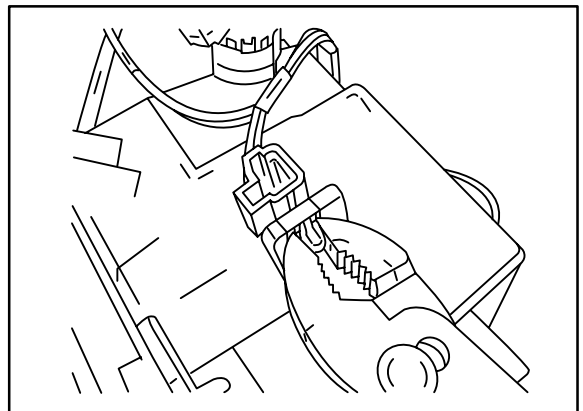
7. Remove tray box from center console.
 - A. Unplug the wire harness connector from the center console.
 - B. Remove the 4 Phillips-head screws on the tray box.
 - C. Remove the tray box from the center console.



8. Remove wire harness from tray box.
 - A. Remove power point wire harness connector.



- B. Remove the 2 wire harness clips from the tray box using pliers.



9. Reinstall in reverse order of removal.