

Preparation

Part Number: PT278-89062

PT278-53032

Kit Contents

Item #	Quantity Reqd.	Description
1	2	Ski Racks
2	1	DIO Instruction Sheet

Hardware Bag Contents

Item #	Quantity Reqd.	Description
1	1	Allen key
2	2	Keys

Additional Items Required For Installation

Item #	Quantity Reqd.	Description
1	1	Adaptor Set: P/N PT278-89061 or P/N PT278-35061 or P/N PT278-35064 or P/N PT278-48032

Conflicts

None

Recommended Tools

Personal and Vehicle protection	
Vehicle Protection	Blankets
Special Tools	
None	
Installation Tools	
None	
Special Chemicals	
None	

General Applicability

Note: Fits on all Toyota **Fixed Roof Racks** together with an Adaptor Set:

P/N PT278-89061: 4Runner, RAV4, Highlander, Matrix, Sequoia, Sienna, Land Cruiser

P/N PT278-35061: Tacoma

P/N PT278-35064: FJ Cruiser


P/N PT278-48032 : GX/IS/LX/RX

Recommended Sequence of Application


Item #	Accessory	
1	Adaptors	
2	Ski Rack	


*Mandatory


Legend

 **STOP:** Damage to the vehicle may occur. Do not proceed until process has been complied with.

 **OPERATOR SAFETY:** Use caution to avoid risk of injury.

 **CAUTION:** A process that must be carefully observed in order to reduce the risk of damage to the accessory/vehicle and to ensure a quality installation.


 **TOOLS & EQUIPMENT:** Used in Figures calls out the specific tools and equipment recommended for this process.

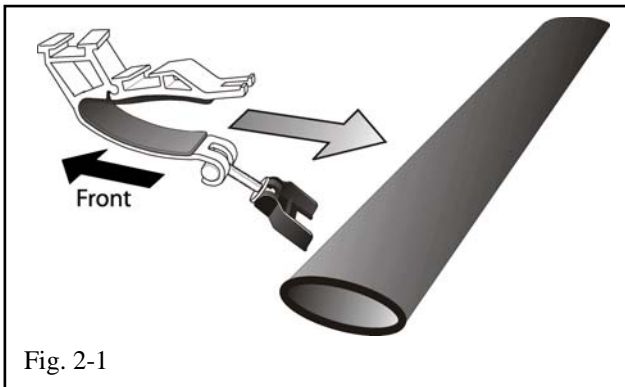
 **REVISION MARK:** This mark highlights a change in installation with respect to previous issue.

IMPORTANT NOTE: It is possible to mount the Ski Rack to the upper slot on the Adaptor Assemblies P/N PT278-89061 to provide extra clearance for larger ski bindings.

When this is done, the anti-theft capabilities of the plastic levers will be lost.

1. Installation Preparation


-  (a) Protect vehicle sides and roof panel with protective blankets.
- (b) Clean the vehicle Roof Rack from dirt and dry.



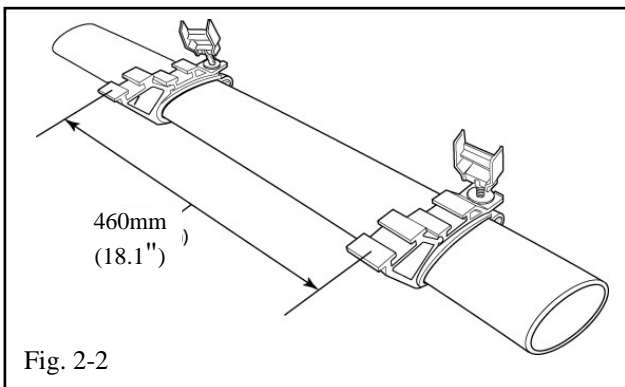
2. Installation of Adaptors

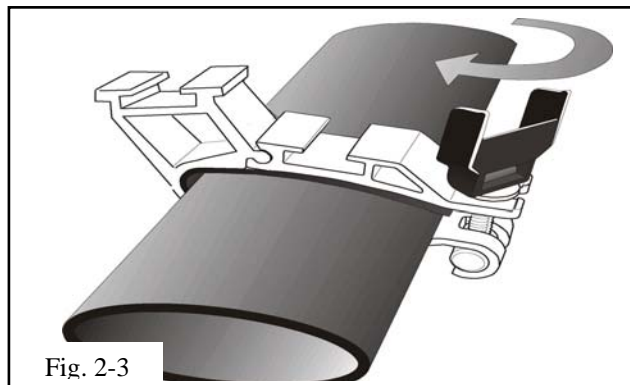
- (a) Open an Adaptor Assembly and slide it on one the vehicle Roof Rack Cross Bars with the opening facing backwards. (Fig. 2-1)

NOTE: Place two Adaptor Assemblies on each of the vehicle Roof Rack Cross Bars.

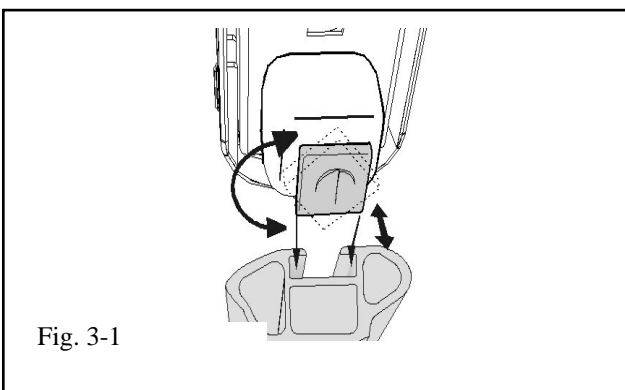
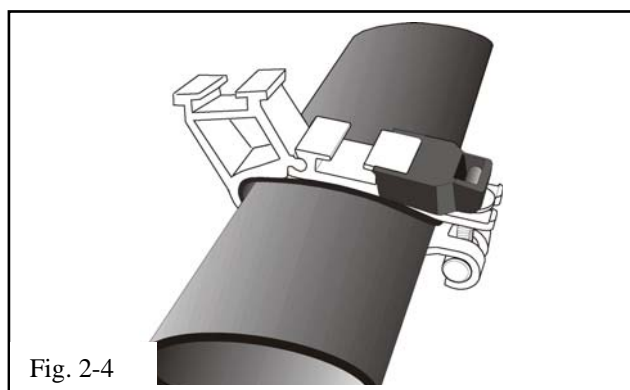
-  (1) Adjust the position of the Adaptor Assemblies so that they are 460 mm (18.1") apart (center to center) on each Cross Bar. (Fig. 2-2)

NOTE: When adjusting the position of the Adaptor Assemblies, make sure the rubber gasket remains in place. The pair of Adaptor Assemblies on the Rear Cross Bar should be directly behind the pair on the Front Cross Bar.



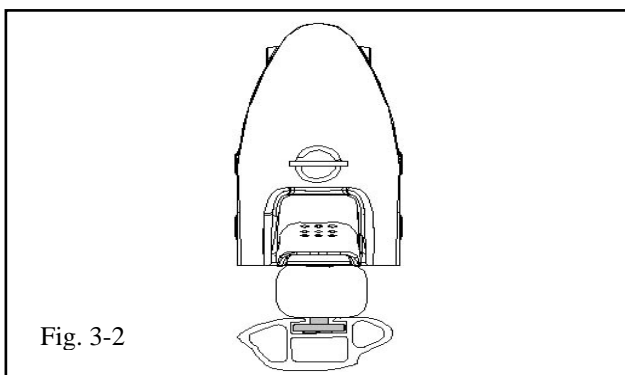


- (b) Fasten each Adaptor Assembly by spinning the plastic lever and folding it down. (Figs. 2-3 & 2-4) Tighten the lever by hand until it is snug and the Adaptor Assembly will not slide by pushing and pulling by hand.

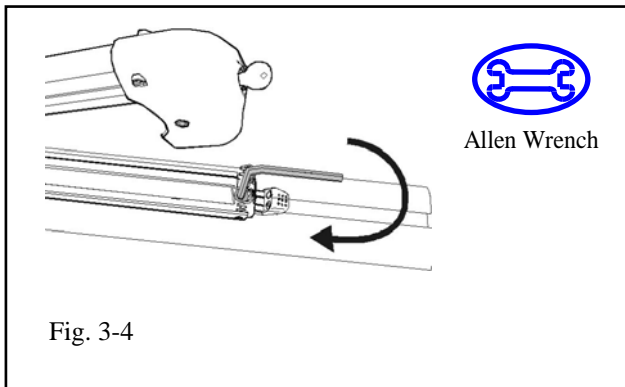
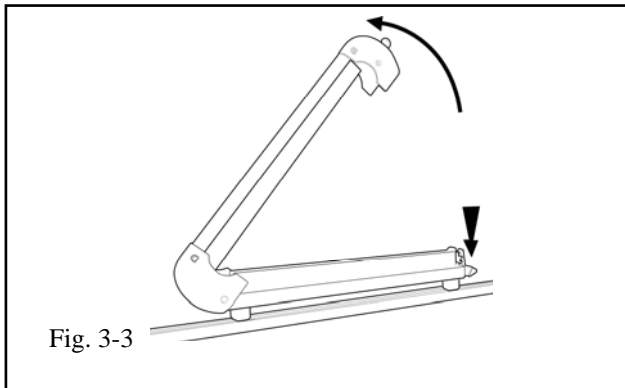


3. Adjusting the Ski Rack

- (a) There are two (2) square mounting plates on the bottom of the Ski Rack. These square mounting plates can be adjusted in and out by turning them. (Fig. 3-1).

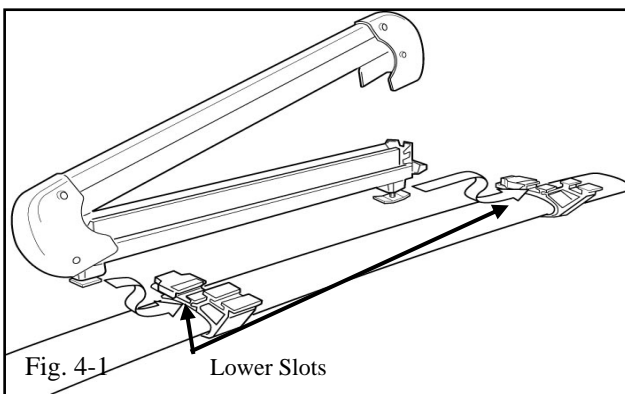


- (b) Adjust the silver square mounting plate on the hinged end of the Ski Rack so that it is snug, but will just slide into the slot on the adaptor. The black square mounting plate on the other end of the Ski Rack can be looser than the silver plate. (Figs. 3-1 & 3-2)



(c) If the black mounting plate is too tight to slide into the slot, it may be necessary to open the Ski Rack by pressing the button on the end, (Fig. 3-3), and inserting the Allen wrench to hold the nut on the plate screw while the plate is turned. (Fig. 3-4)

(d) Slide the Ski Rack into the slots on each adaptor and then temporarily snug up the nut on the latch end of the Ski Rack. (Fig. 3-4)

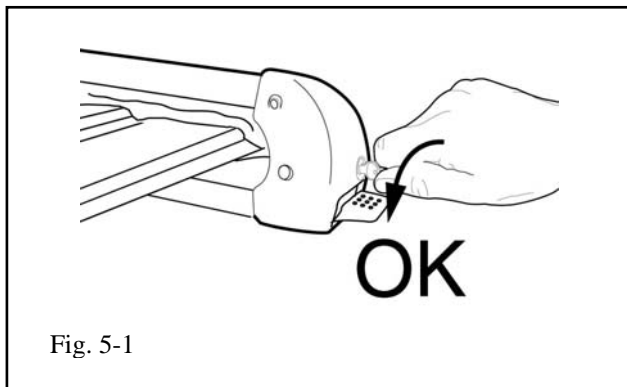


4. Mounting the Ski Rack on the Adaptor Assembly

(a) Slide the Ski Rack into the slot on each of the Adaptor Assemblies. Note: P/N PT278-89061 has two slots on each of the Adaptor Assemblies (Fig. 4-1)

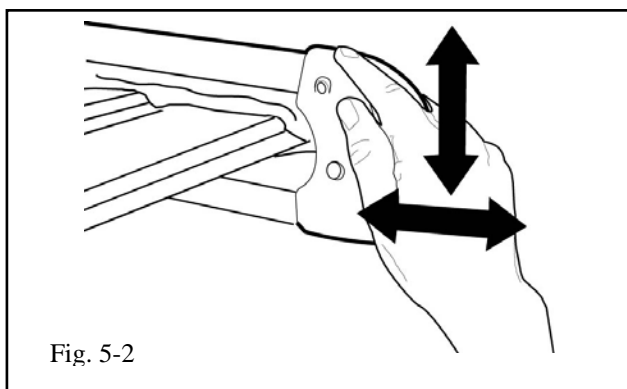
(1) Normally the Ski Rack is mounted to the lower slot closer to the Plastic Lever.

NOTE: It is also possible to mount the Ski Rack to the upper slot on the Adaptor Assemblies to provide extra clearance for larger bindings. **When this is done, the anti-theft capabilities of the plastic levers will be lost.** User can decide which side of vehicle the Ski Racks are to open.



5. Tightening the Ski Rack

- (a) Open the Ski Rack, (Fig. 3-3) and using the Allen wrench tighten the nut on the latch end of the Ski Rack and torque to 44 lbf•in (5.0 N•m). (Fig. 3-4) Repeat this for the Ski Rack on each cross bar.



- (b) After closing and latching the Ski Racks, they may be locked by inserting the Ski Rack key and turning the key 90 degrees. (Fig. 5-1)
- (c) Make sure that the ski rack is firmly attached to the roof rack or adapter by pulling and pushing it. Retighten if necessary. (Fig. 5-2)

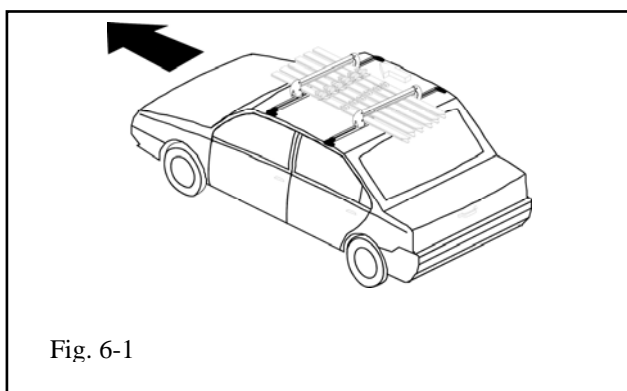


Fig. 6-1

6. Installing the Skis



- (a) Please note that the skis should be loaded with the points facing rearwards (Fig. 6-1).

7. Completing the Installation



- (a) Place Ski Rack Allen wrench, keys, and the DIO instructions in the glove compartment

**TOYOTA 4Runner/Highlander/Land Cruiser 2004 -
Rav4/Matrix/Sequoia/Sienna/Tacoma/FJ Cruiser**

SKI RACK

LEXUS GX470/IS250/350/LX570/RX350 2003 -

Checklist - these points **MUST** be checked to ensure a quality installation



Check:

Look For:

- Rubber Gaskets are properly in place within the Adaptors.
- Adaptors are securely attached to the vehicle Roof Rack
- Ski Rack is securely attached to the adaptors

The Rubber Gaskets should be aligned within the metal Adaptors

Pushing and pulling the mounted Ski Rack can not move Adaptors

Pushing and pulling the Ski Rack can not move the Ski Rack.