



TECHNICAL SERVICE BULLETIN

REF.: ACCESSORIES
NO.: AX001-96
DATE: JANUARY 26, 1996
MODEL: 4RN

1996 4RUNNER MUDGUARD INSTALLATION

Page 1 of 2

Front and Rear Mudguards are now available for installation on the 1996 4Runner. Thoroughly clean all attachment areas, inspect accessory kit contents before installation, and follow the procedure below.

RECOMMENDED TOOLS / MATERIALS:

- Dual Position Rivet gun (for 4mm x 15mm pop-rivet)
- 10mm socket and square drive ratchet or 10mm box wrench
- Phillips screwdriver

PARTS INFORMATION:

It is necessary to order each mudguard individually. Hardware is included in individual mudguard kits.

PART NUMBER	PART NAME
76621-39395	Right Front Mudguard Kit
76622-39395	Left Front Mudguard Kit
76625-39475	Right Rear Mudguard
76626-39475	Left Rear Mudguard

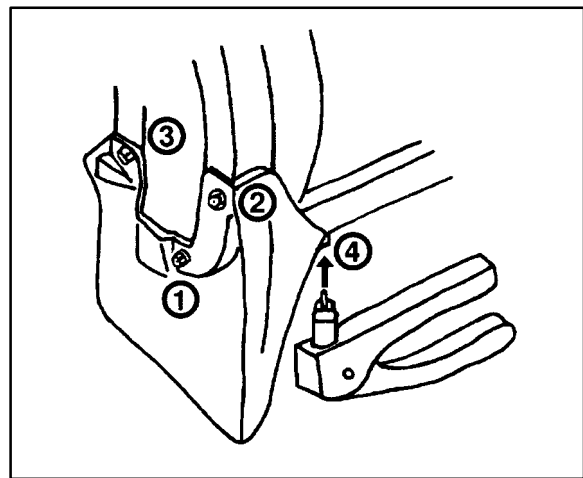
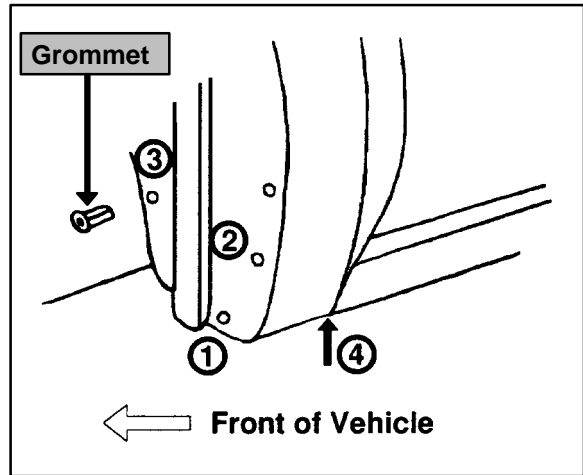
INSTALLATION PROCEDURE:

Front of Vehicle –

Follow these instructions for both left and right side front mudguards.

1. Locate hole positions ① through ③.
2. Insert grommet into hole position ③.
3. Locate the small hole at position ④. This hole will be used for rivet installation.
4. Install mudguard using (3) bolts at hole positions ① through ③.
5. Install rivet at position ④.

NOTE: Press the mudguard firmly against the vehicle body to ensure proper fit.



Rear of Vehicle –

Follow these instructions for both left and right side rear mudguards.

1. Locate hole positions ① through ④ on rear bumper extension.
2. Install mudguard using 10mm bolts at hole positions ① through ④, in order.

NOTE: Press the mudguard firmly against the vehicle body to ensure proper fit.

