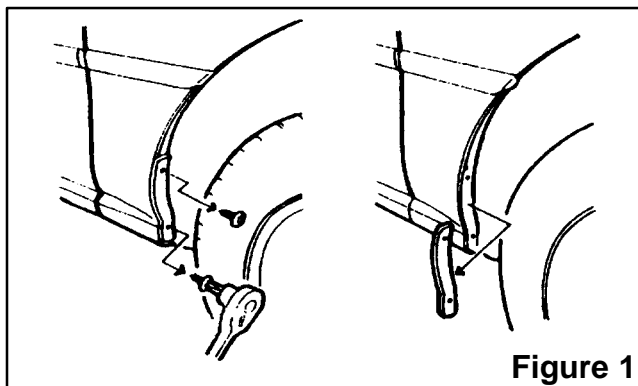


1993 MR2 MUDGUARD INSTALLATION INSTRUCTIONS

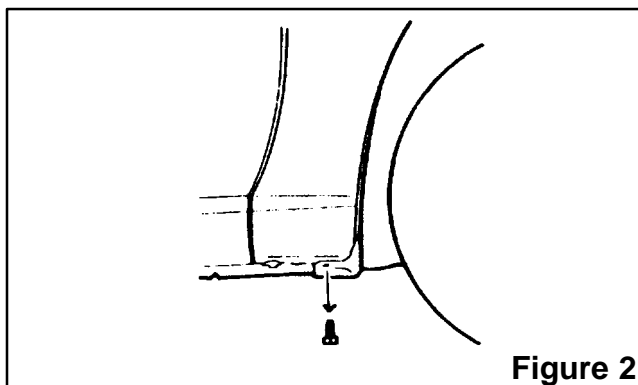
A mudguard kit is available for installation on the '93 MR2. Be sure to thoroughly clean all attachment areas and carefully follow the installation procedures below:



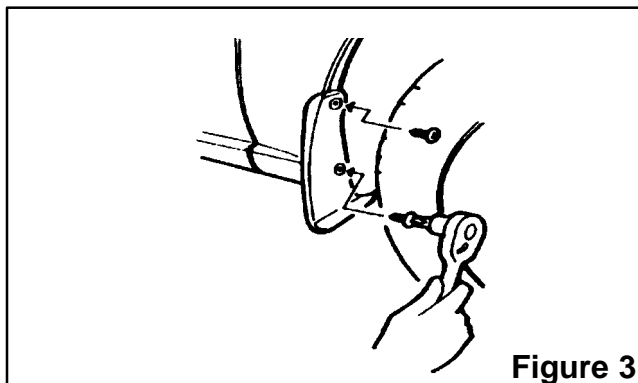
INSTALLATION PROCEDURE:

Front of Vehicle

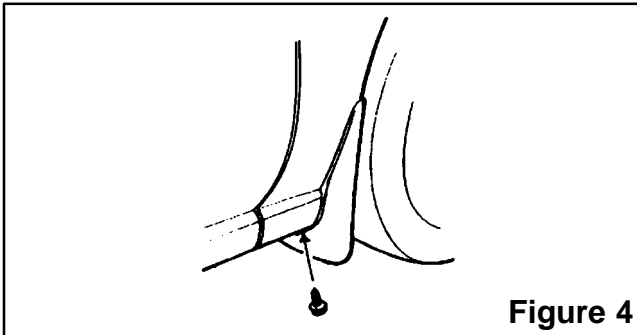
1. Remove (2) mounting screws and fender liner molding behind front tire (See Figure 1).



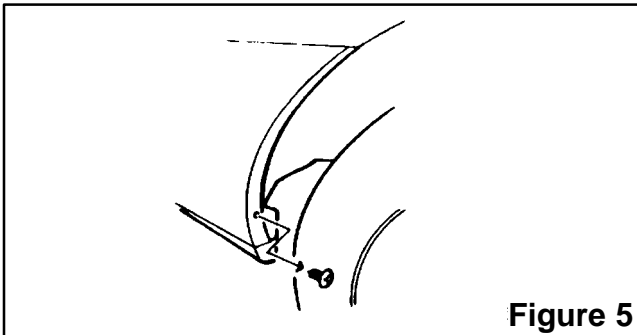
2. Remove (1) mounting bolt located in bottom of fender well behind front tire (See Figure 2).



3. Align front mudguard and reinstall (2) previously removed mounting screws to front of mudguard surface (See Figure 3).

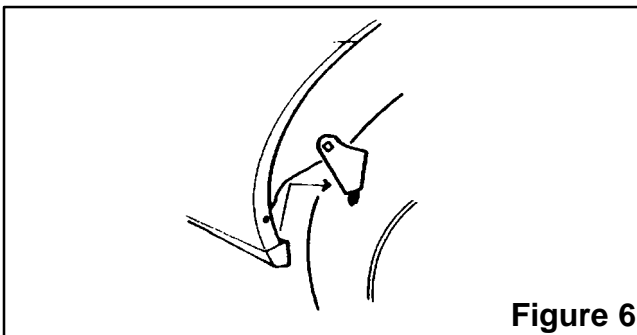


4. Reinstall (1) previously removed mounting bolt to bottom of mudguard surface (see Figure 4).

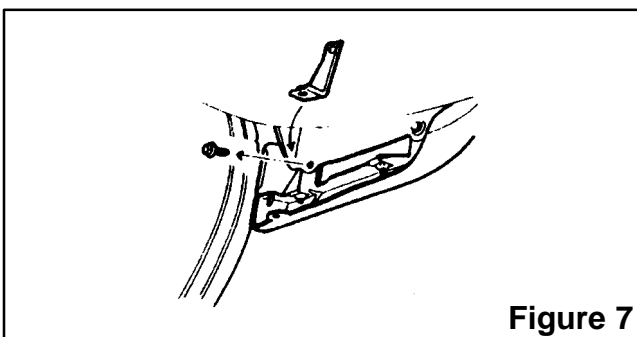


Rear of Vehicle:

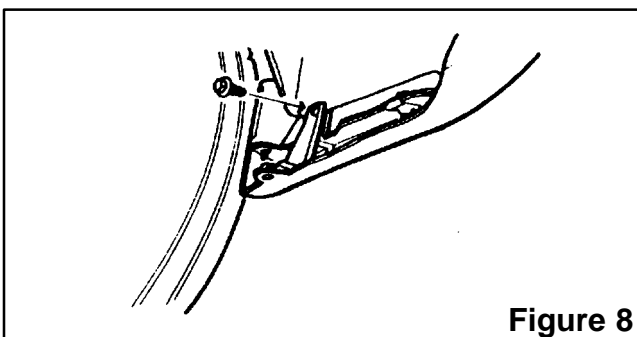
1. Remove (1) mounting screw from fender liner molding behind rear tire (see Figure 5).

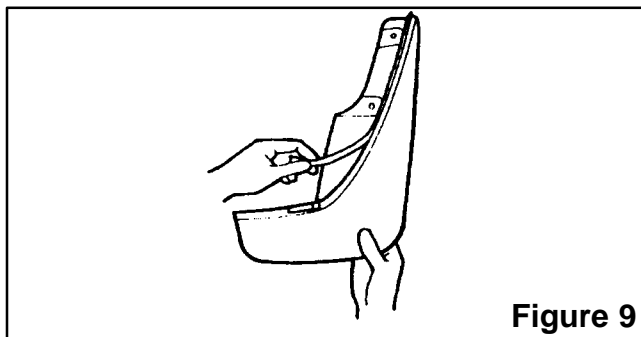


2. Remove (1) plastic reinforcement located inboard of fender liner molding behind rear tire (see Figure 6).

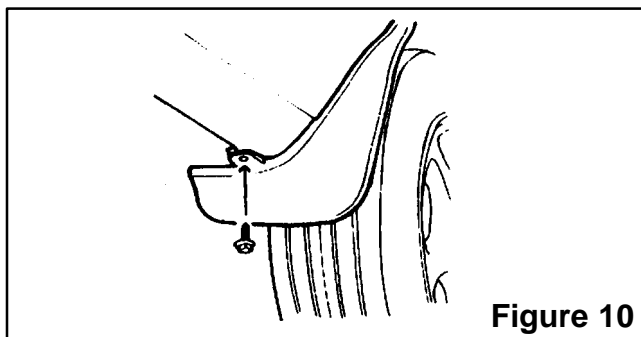


3. Remove (1) mounting bolt located inboard at bottom of rear fender well and install metal mounting bracket (see Figure 7 and 8).

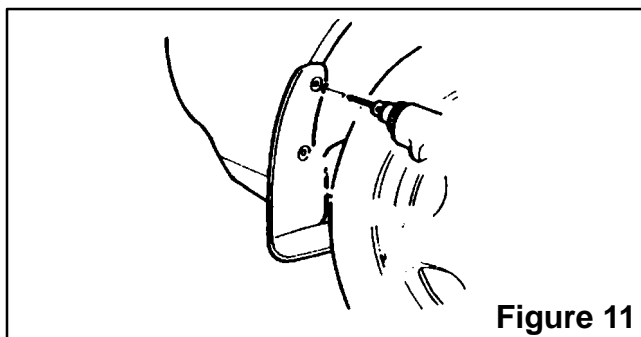




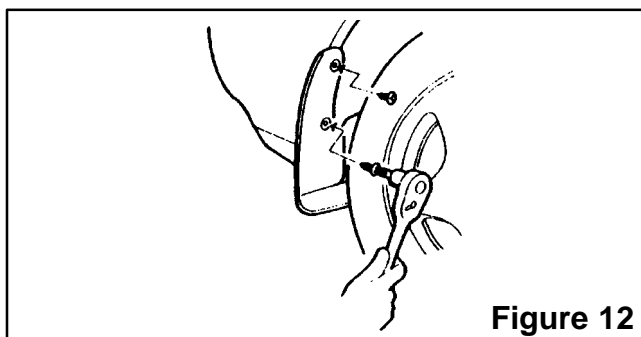
8. Remove paper cover on adhesive strip of mudguard (see Figure 9).



9. Align rear mudguard and adhere the adhesive strip to the body. Install (1) fitting kit mounting bolt to bottom of mudguard surface (see Figure 10).



10. Using rear mudguard as a template, drill through rear fender liner molding covering upper mounting hole (see Figure 11).



11. Install (2) fitting kit mounting screws to front surface of rear mudguard (see Figure 12).

PART NUMBER INFORMATION:

| <u>PART NUMBER</u> | <u>PART NAME</u> |
|--------------------|--------------------|
| 76095-17010 | Mudguard Kit |
| 76622-17020 | Front Mudguard, LH |
| 76621-17020 | Front Mudguard, RH |
| 76625-17040 | Rear Mudguard, RH |
| 76626-17040 | Rear Mudguard, LH |